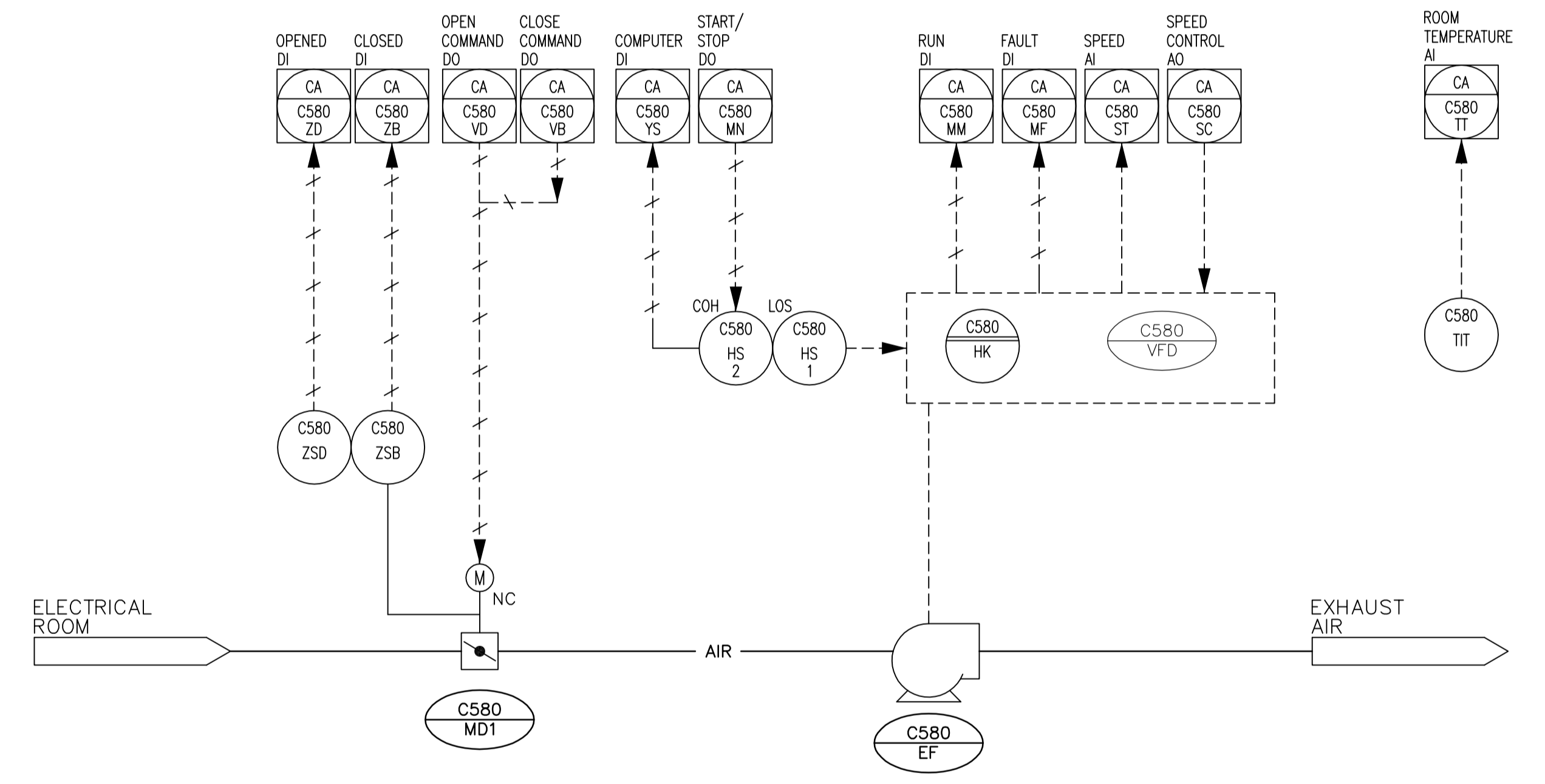


ELECTRICAL ROOM SUPPLY FAN (C560)
SCALE : N.T.S.



ELECTRICAL ROOM EXHAUST (C580)
SCALE : N.T.S.

FOR SCHEMATIC LEGEND SEE P4.01, P4.02 AND P4.03



B.M. ELEV.			
DESIGNED BY	AB	CHECKED BY	AB
DRAWN BY	DJP	APPROVED BY	JEH
SCALE:	AS NOTED	RELEASED FOR CONSTRUCTION BY:	K. MARTENS
DATE	2006/05/15	DATE	2006/05/15
ISSUED FOR TENDER	06/05/15	DJP	
NO. REVISIONS		DATE	BY

EarthTech
A Tyco International Ltd. Company

DESIGNED BY: AB
CHECKED BY: AB
DRAWN BY: DJP
APPROVED BY: JEH
SCALE: AS NOTED
RELEASED FOR CONSTRUCTION BY: K. MARTENS
DATE: 2006/05/15

ENGINEER'S SEAL
ORIGINAL SIGNED BY
A. BURACHYNSKY
2006/05/15
CONSULTANT DRAWING NO.
M4.03

THE CITY OF WINNIPEG
WATER AND WASTE DEPARTMENT
ENGINEERING DIVISION

NEWPCC CENTRATE NUTRIENT TREATMENT
NITROGEN REMOVAL FACILITY

CITY FILE NUMBER
SHEET OF
CITY DRAWING NUMBER

MECHANICAL
HVAC SCHEMATICS
ELECTRICAL ROOM