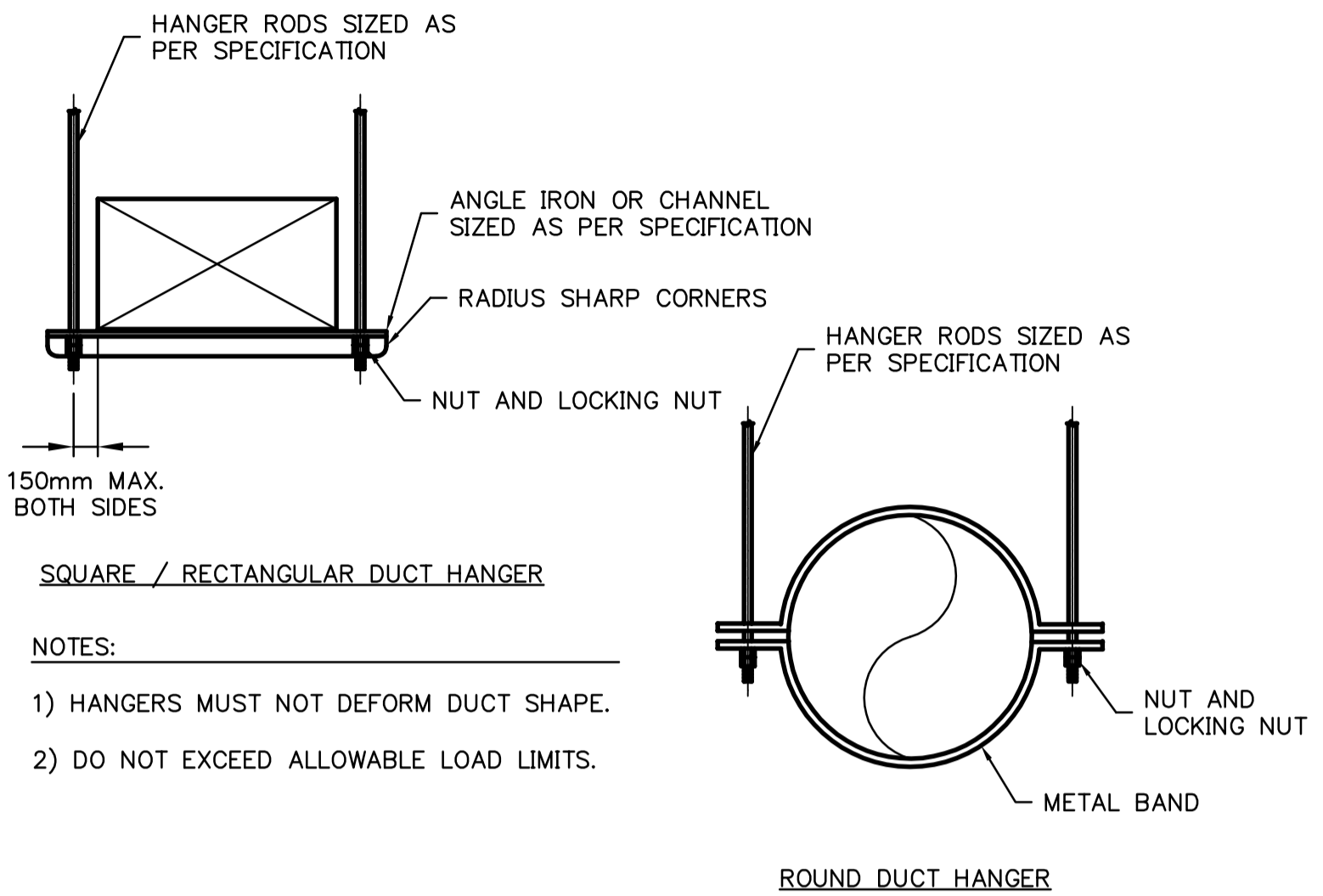
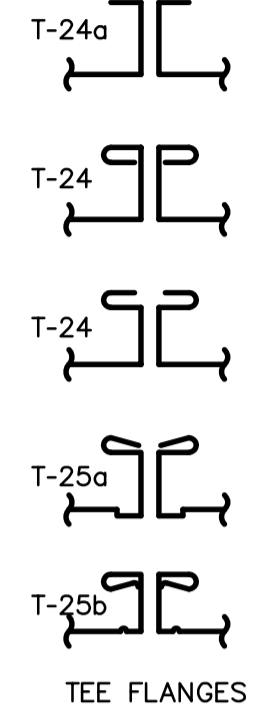


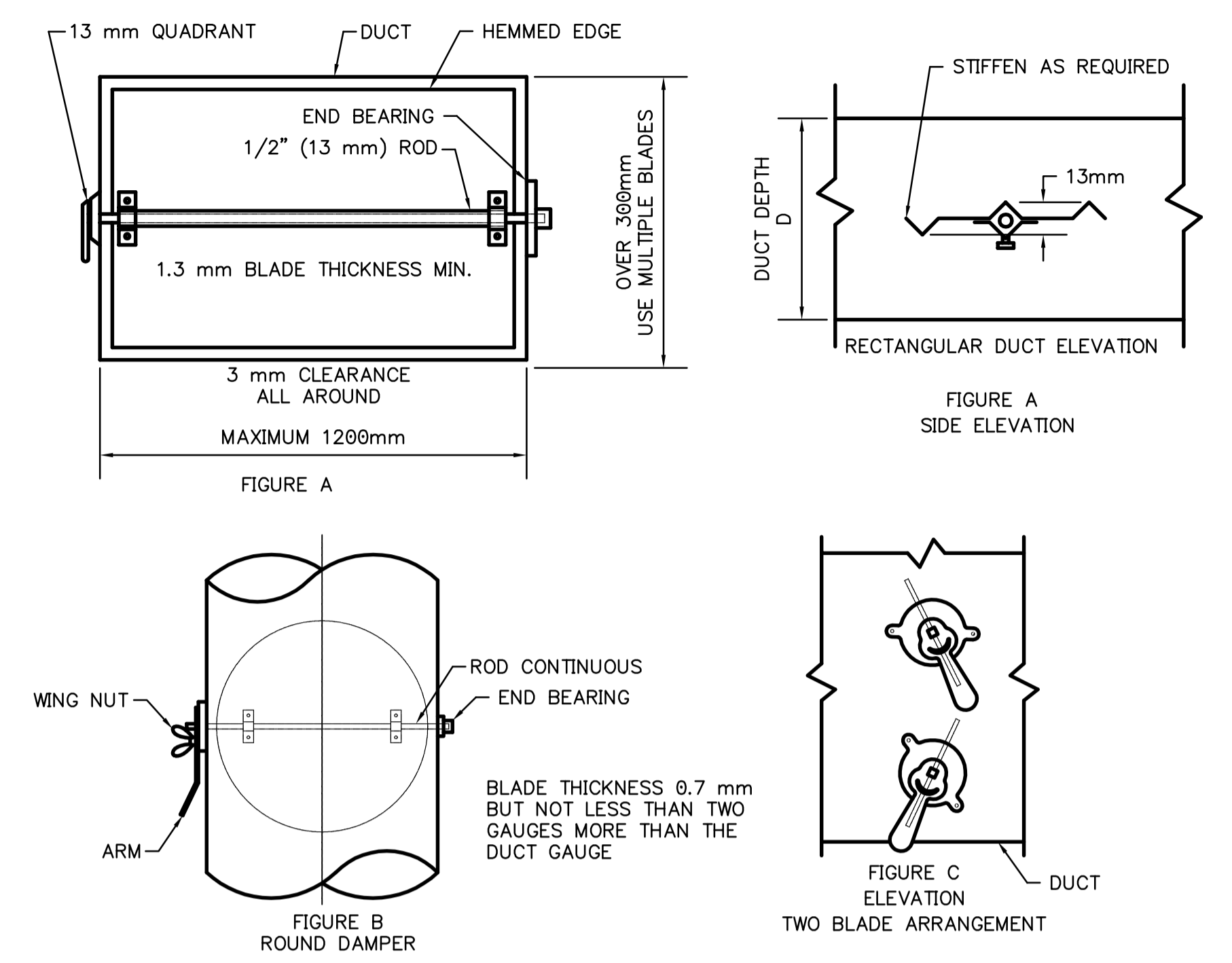
1 SQUARE/RECTANGULAR DUCTWORK CONSTRUCTION DETAIL
SCALE N.T.S.

NOTES:
SECURELY ATTACH ADDITIONAL METAL CLIPS ON FLANGES AT 380 mm MAXIMUM CENTRES FOR 750 Pa STATIC OR LESS AND AT 300 mm MAXIMUM CENTRES FOR HIGHER PRESSURES. 0.85 mm MINIMUM.
CONTINUOUS CLEATS MAY BE USED.

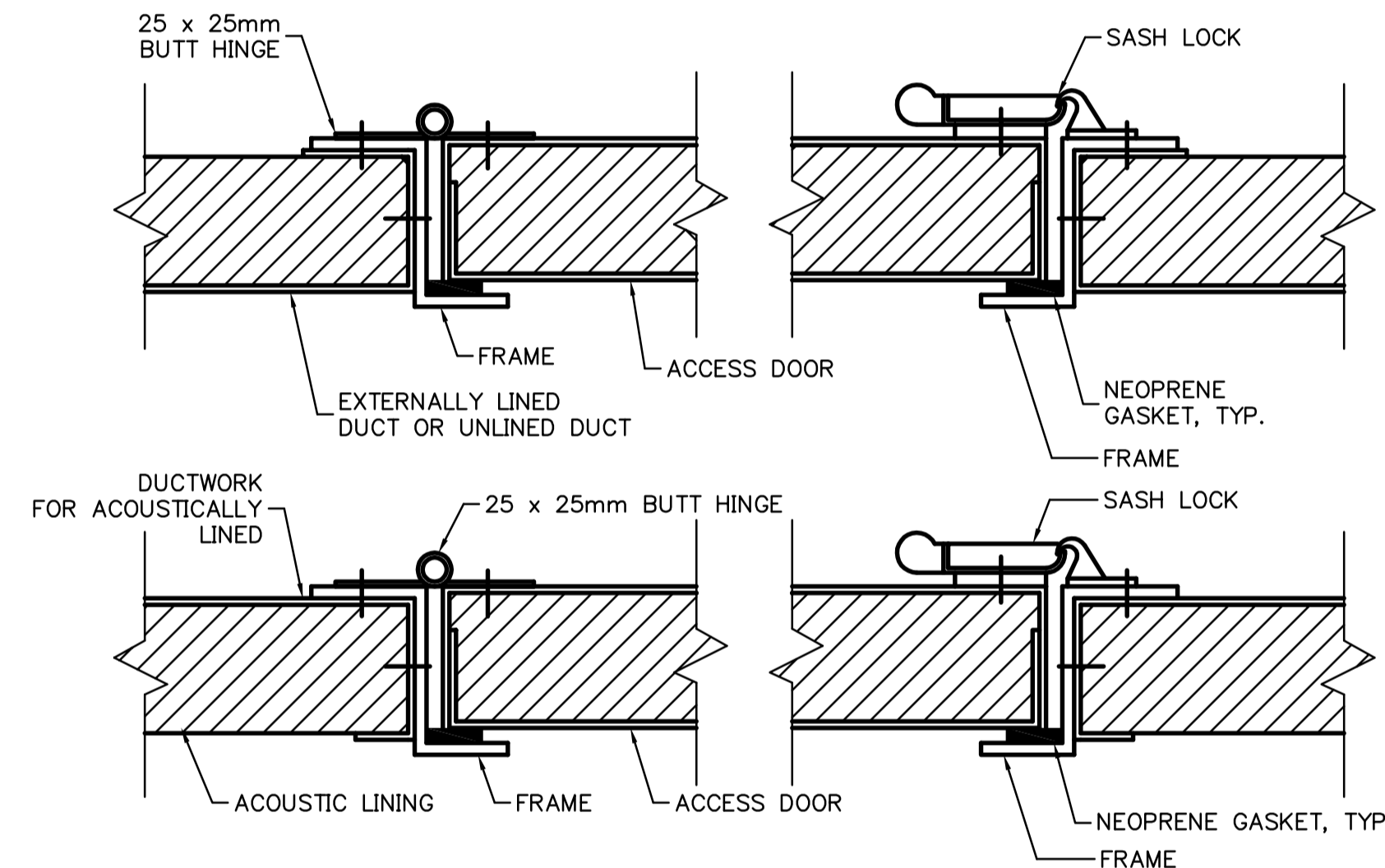


NOTES:
1) HANGERS MUST NOT DEFORM DUCT SHAPE.
2) DO NOT EXCEED ALLOWABLE LOAD LIMITS.

2 DUCTWORK SUPPORT AND HANGER DETAIL
SCALE N.T.S.



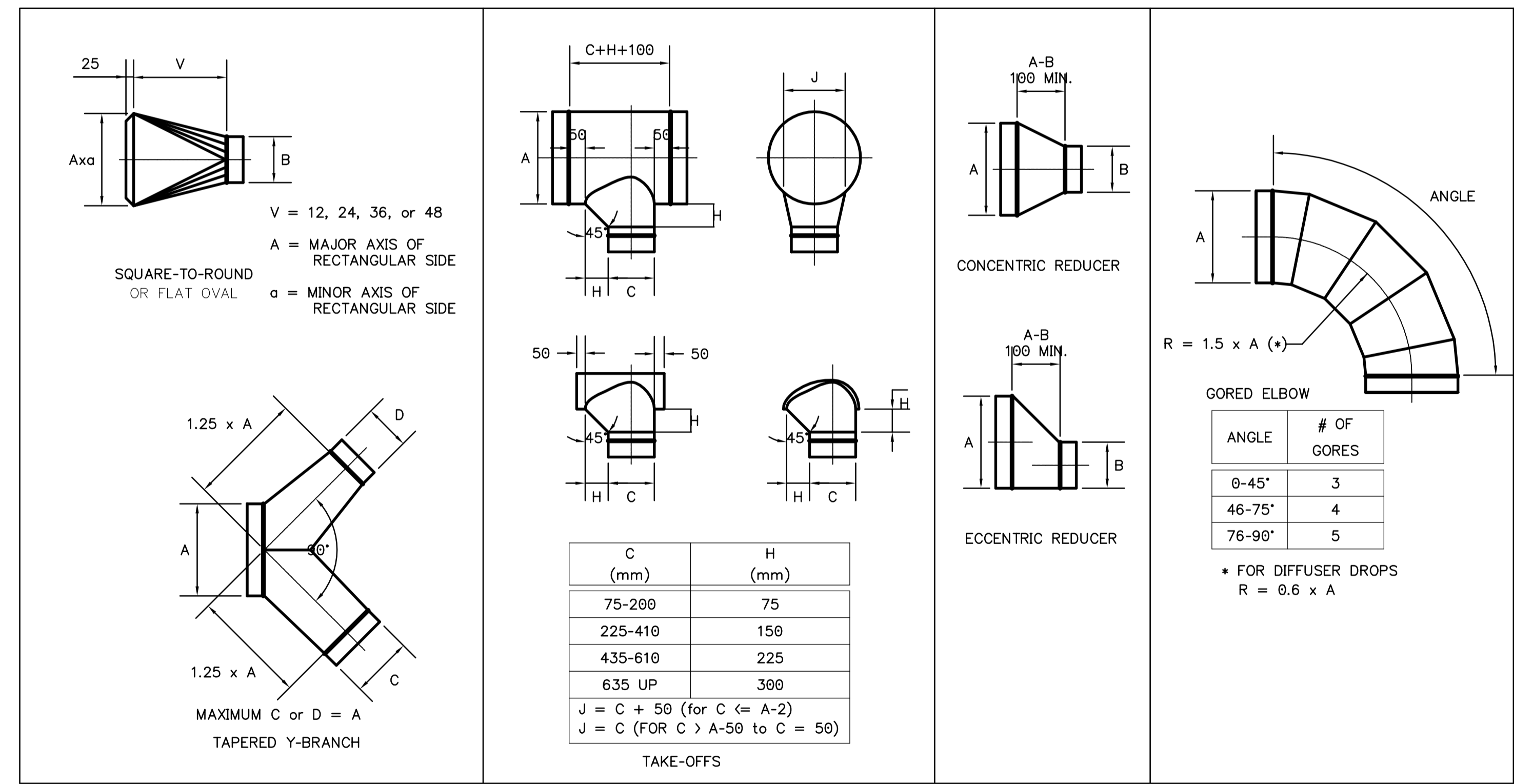
3 BALANCING DAMPER DETAIL
SCALE N.T.S.



STATIC PRESSURE RATING	DOOR SIZE	HINGE QTY.	LOCK QTY.	METAL GAUGE		
				FRAME	DOOR	BACK
500 Pa & LESS	300 x 300	2	1-S	24	26	26
	400 x 500	2	2-S	22	24	26
	600 x 600	3	2-S	22	22	26
UP TO 750 Pa	300 x 300	2	1-S	22	22	26
	400 x 500	2	1-S,1-T,1-B	20	20	26
	600 x 600	3	2-S,1-T,1-B	20	20	24
1000 Pa to 2500 Pa	300 x 300	2	1-S,1-T,1-B	20	20	26
	400 x 500	3	2-S,1-T,1-B	20	18	24
	600 x 600	3	2-S,2-T,2-B	18	18	24

S: SIDE OPPOSITE HINGE, T: TOP, B: BOTTOM

4 DUCT ACCESS DOOR DETAILS
SCALE N.T.S.



5 ROUND AND FLAT OVAL DUCT FITTINGS
SCALE N.T.S.

<p>Certificate of Authorization Earth Tech Canada Inc. No. 730 Expiry: April 30, 2007</p>	<p>B.M. ELEV.</p>	<p>A Tyco International Ltd. Company</p>	<p>ENGINEER'S SEAL</p>	<p>THE CITY OF WINNIPEG WATER AND WASTE DEPARTMENT ENGINEERING DIVISION</p>
	<p>DESIGNED BY: AB</p> <p>DRAWN BY: DJP</p> <p>SCALE: AS NOTED</p>		<p>CHECKED BY: AB</p> <p>APPROVED BY: JEH</p> <p>RELEASED FOR CONSTRUCTION BY: K. MARTENS</p>	