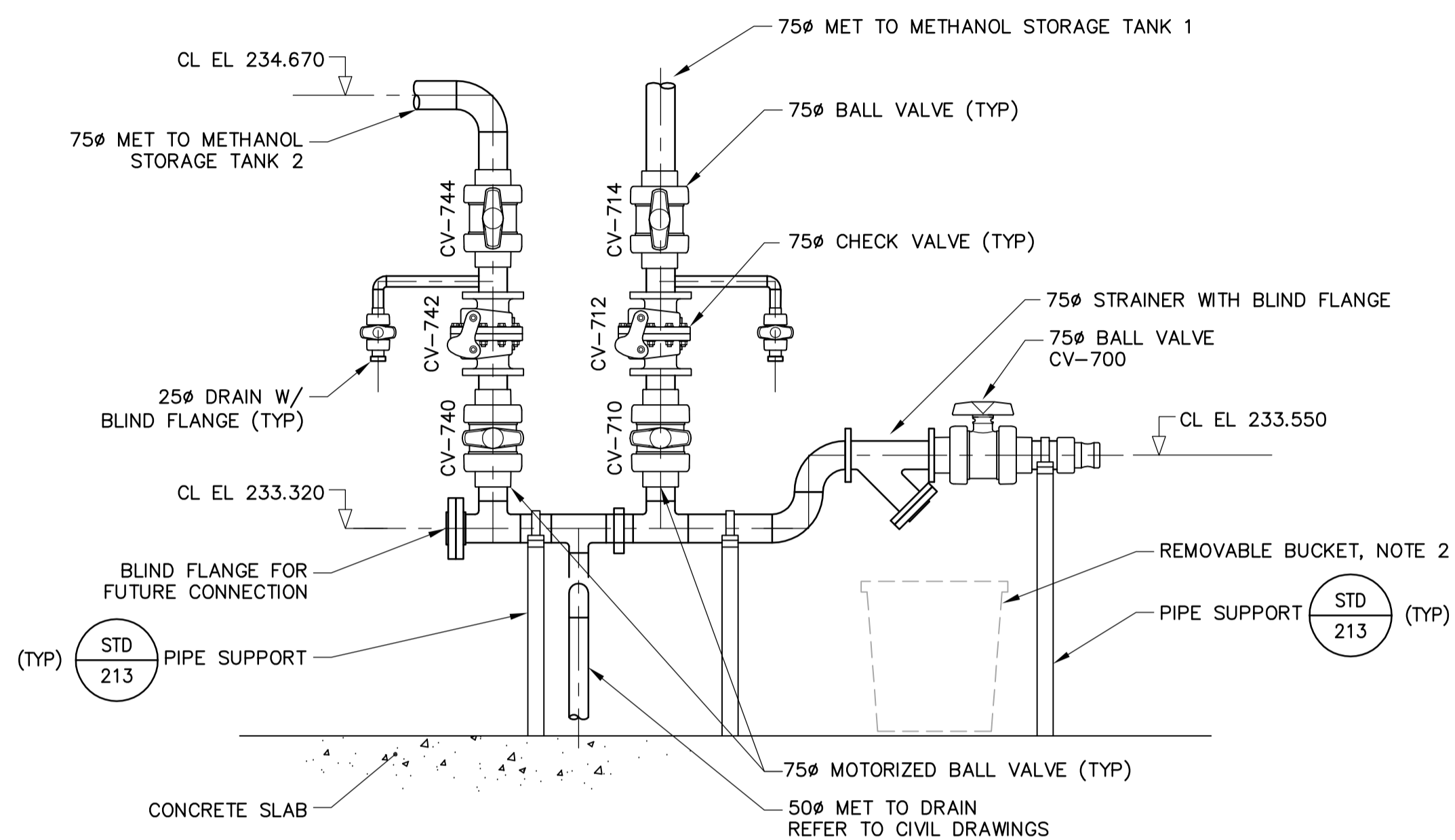
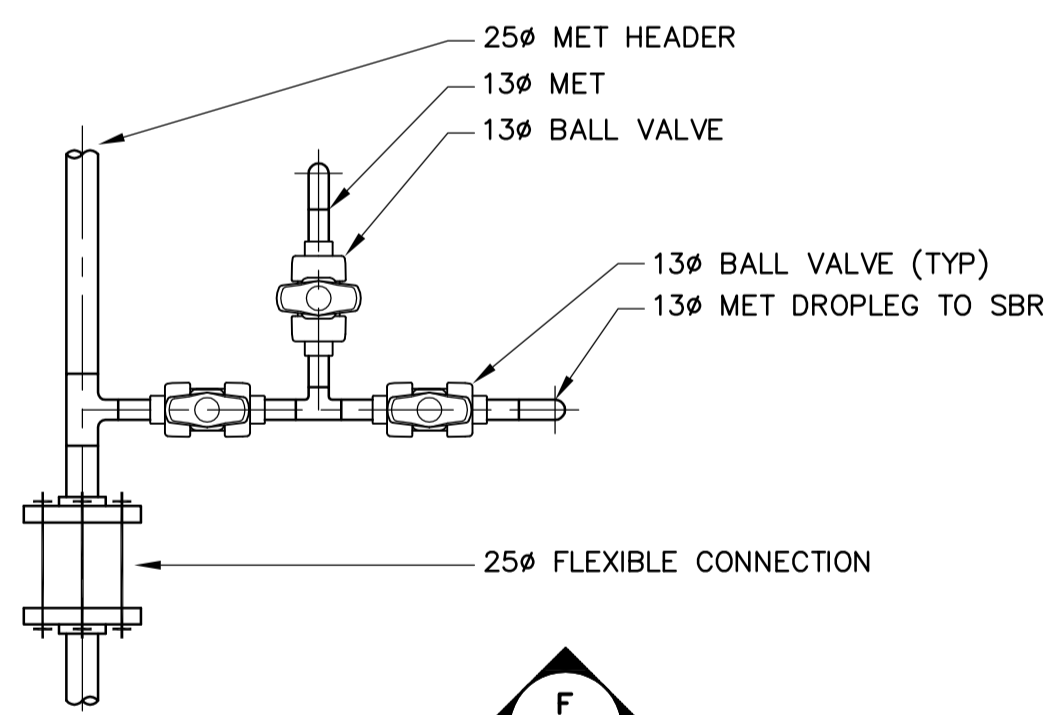


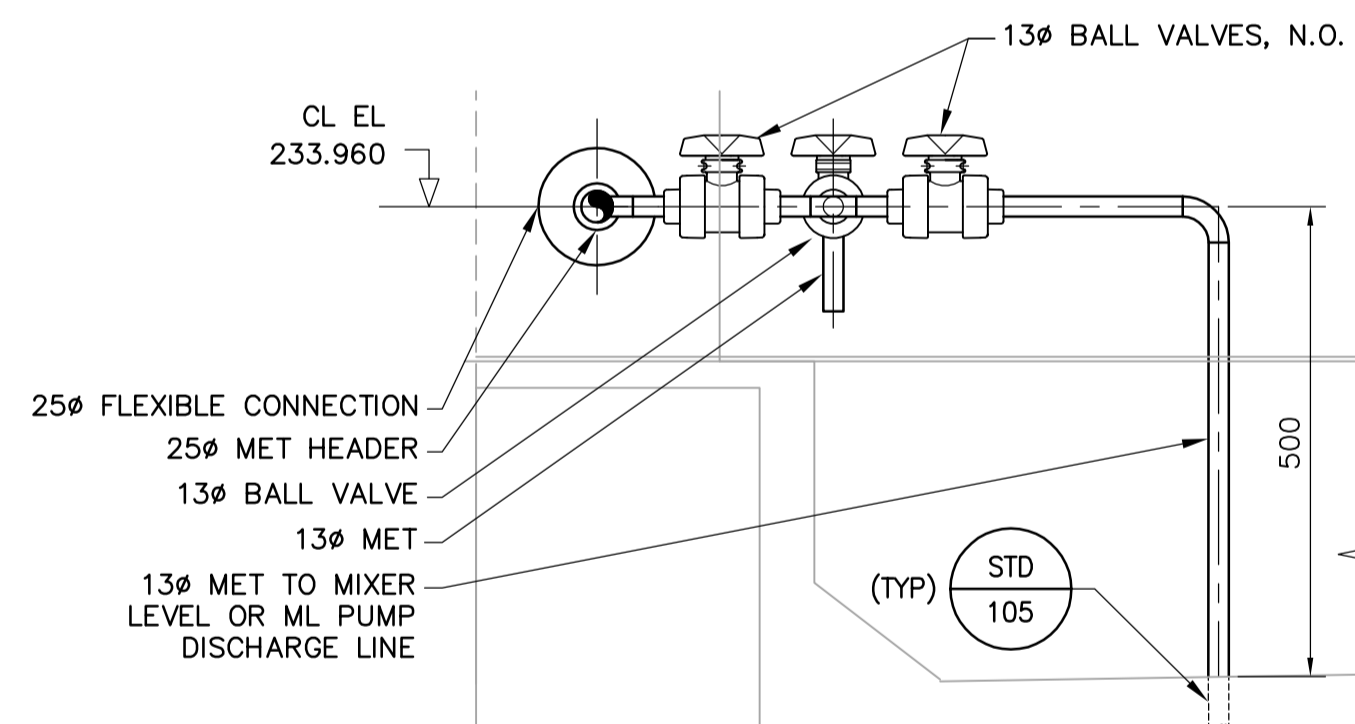
3 DETAIL
SCALE 1:16



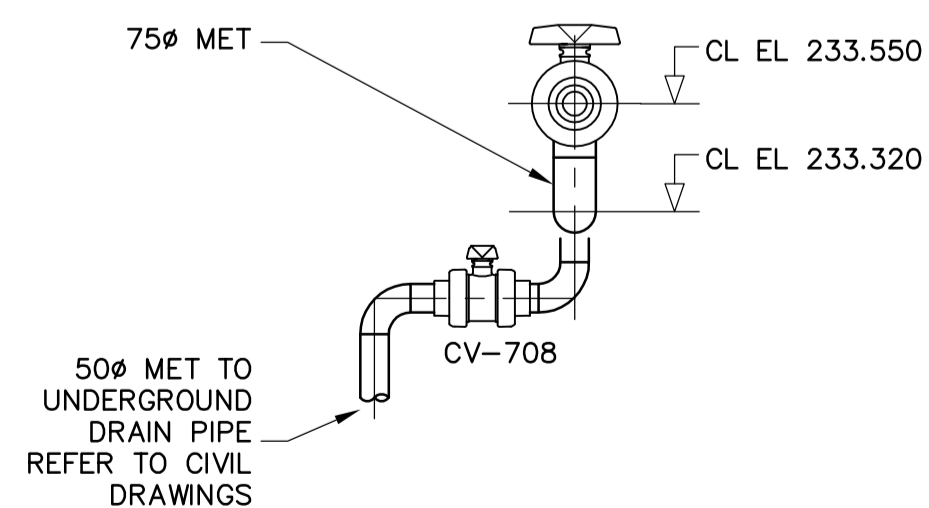
E SECTION DETAIL
SCALE 1:16



4 DETAIL
SCALE 1:8

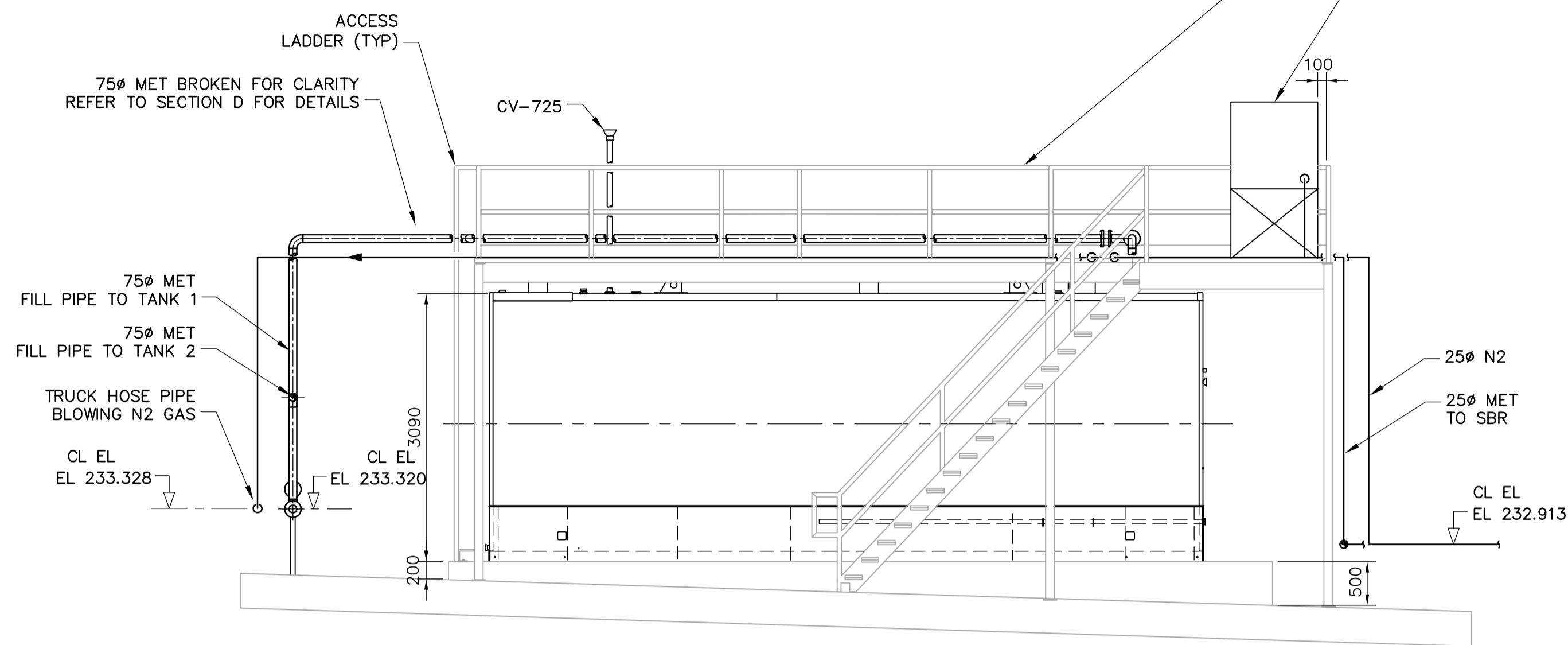


F SECTION DETAIL
SCALE 1:8

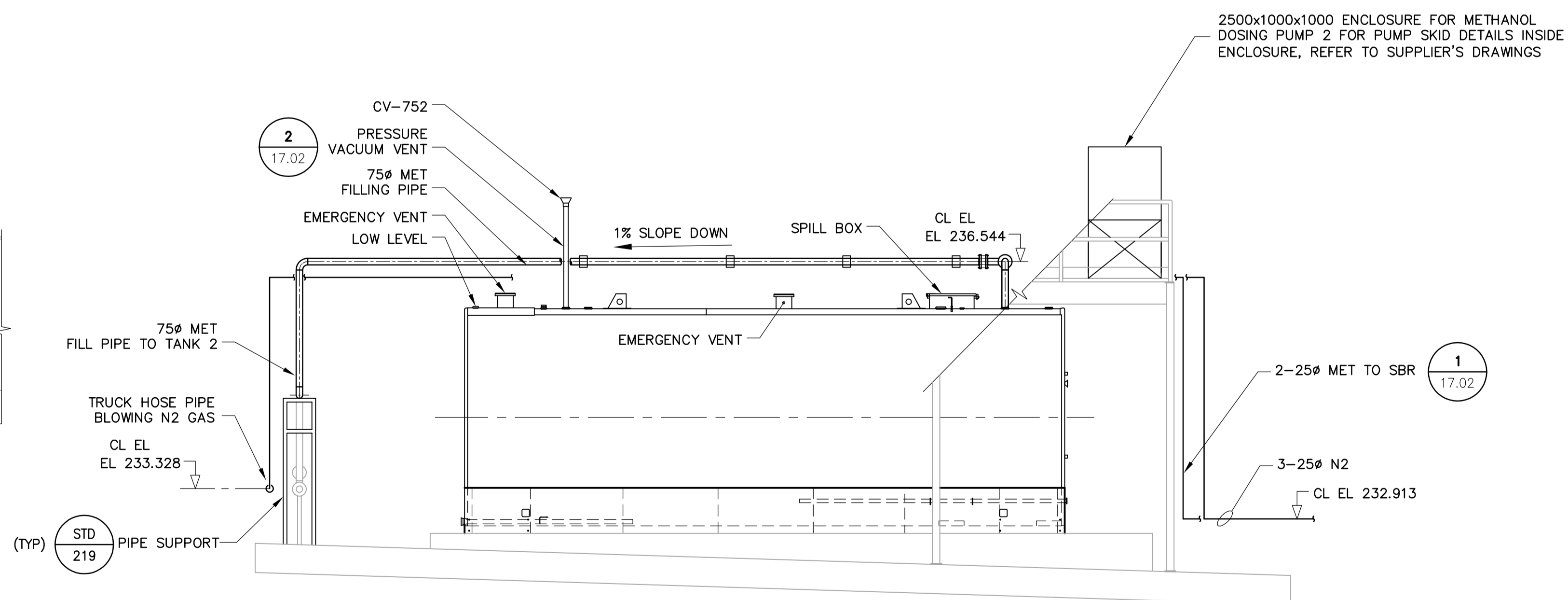


G SECTION DETAIL
SCALE 1:16

- NOTE:**
- ALL MANUAL VALVES ON METHANOL AND NITROGEN LINES TO BE LOCKABLE.
 - REMOVABLE BUCKET; OPW 211AST OR EQUIVALENT.



C SECTION
SCALE 1:50



D SECTION
SCALE 1:50

 Certificate of Authorization Earth Tech Canada Inc. No. 730 Expiry: April 30, 2007	B.M. ELEV.	 A Tyco International Ltd. Company	ENGINEER'S SEAL	 THE CITY OF WINNIPEG WATER AND WASTE DEPARTMENT ENGINEERING DIVISION					
			DESIGNED BY: EM		CHECKED BY: SB	ORIGINAL SIGNED BY: Q. MENG			
			DRAWN BY: SRP		APPROVED BY: JEH	2006/05/15			
			SCALE: AS NOTED		RELEASED FOR CONSTRUCTION BY: K. MARTENS	CONSULTANT DRAWING NO. P17.03			
	NO. REVISIONS	DATE	DATE	DATE	2006/01/16	DATE	2006/05/15	NEWPCC CENTRATE NUTRIENT TREATMENT NITROGEN REMOVAL FACILITY	CITY FILE NUMBER
								PROCESS METHANOL SYSTEM SECTIONS & DETAILS	SHEET OF
									CITY DRAWING NUMBER