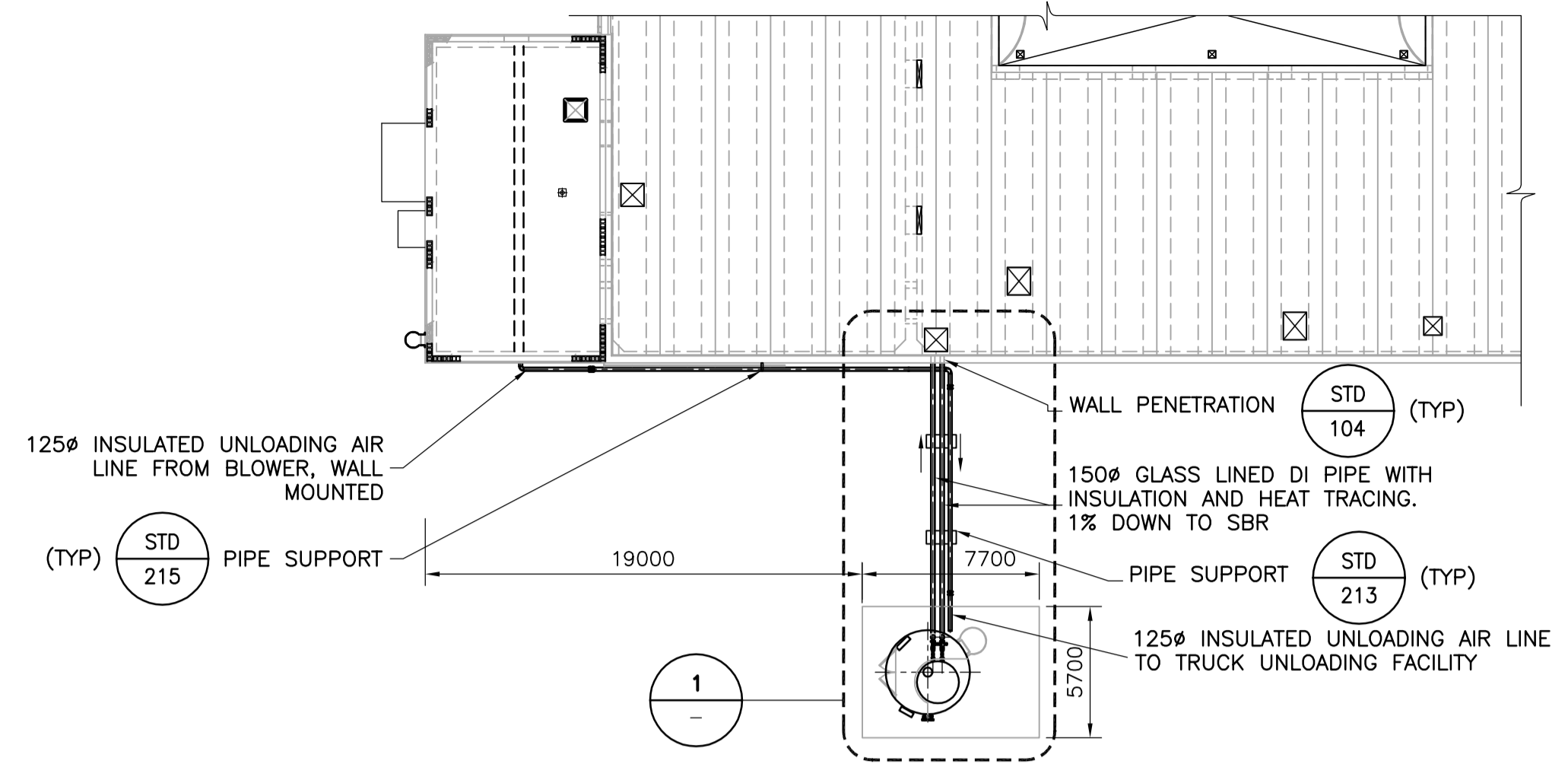
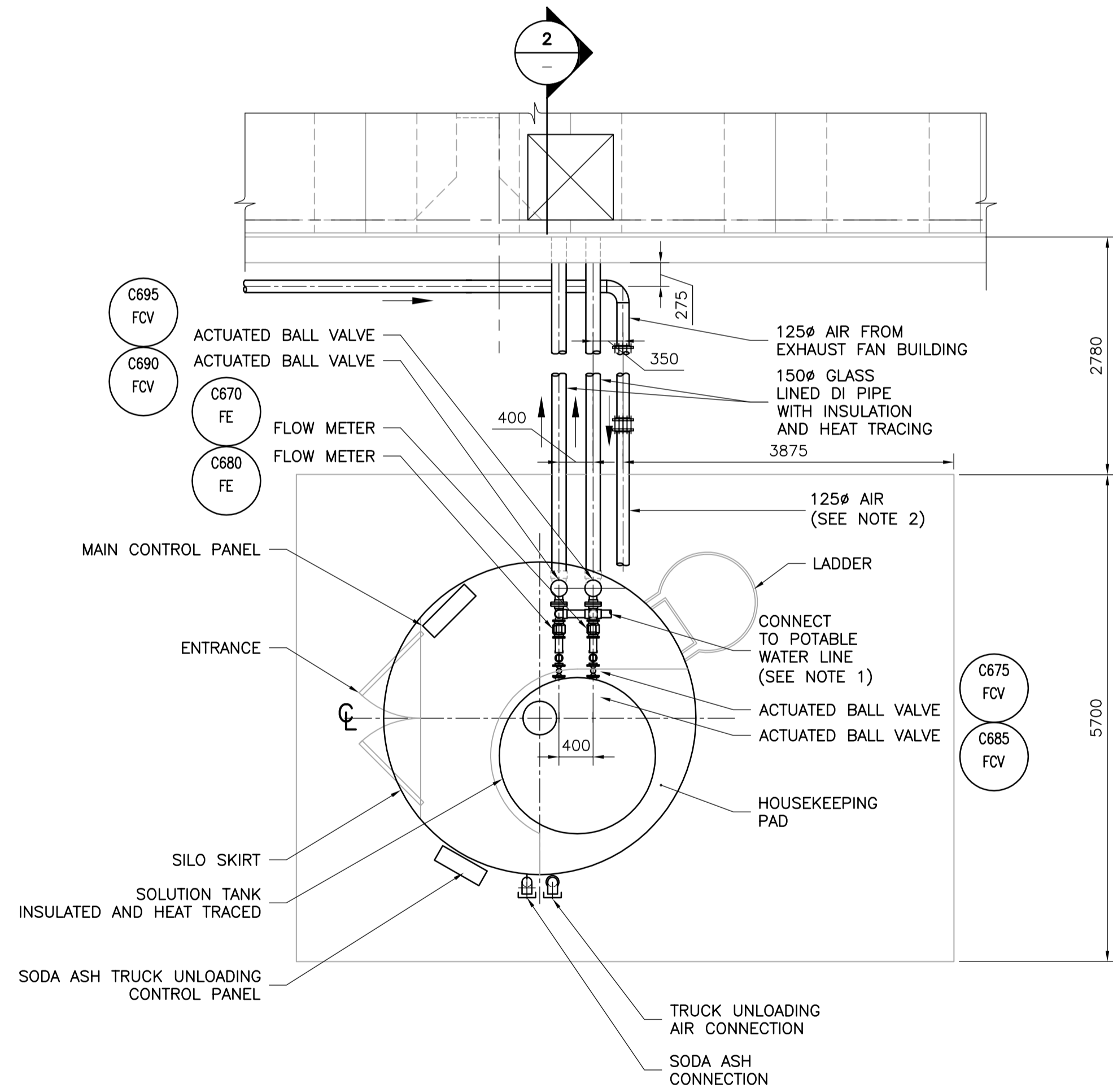


2 SECTION  
SCALE 1:50



SODA ASH SYSTEM PLAN  
SCALE 1:250



1 DETAIL  
SCALE 1:50

NOTES:

- SEE MECH. DRAWINGS FOR POTABLE WATER LINE CONNECTION TO SODA ASH SILO. WATER LINE CONNECTION TO SODA ASH SOLUTION TANK NOT SHOWN FOR CLARITY.
- 125mm AIR TO TRUCK UNLOADING AIR CONNECTION.

<p>Certificate of Authorization Earth Tech Canada Inc. No. 730 Expiry: April 30, 2007</p>	B.M. ELEV.	<p>A Tyco International Ltd. Company</p>	ENGINEER'S SEAL	<p>THE CITY OF WINNIPEG WATER AND WASTE DEPARTMENT ENGINEERING DIVISION</p>						
			DESIGNED BY: LW		CHECKED BY: SB	ORIGINAL SIGNED BY: J.E. HUTCHISON				
			DRAWN BY: GLG		APPROVED BY: JEH	2006/05/15				
			SCALE: AS NOTED		RELEASED FOR CONSTRUCTION BY: K. MARTENS	CONSULTANT DRAWING NO. P18.02				
	NO. REVISIONS	DATE BY	DATE	2006/02/06	DATE	2006/05/15	PROCESS SODA ASH SYSTEM PLAN & SECTIONS	CITY FILE NUMBER	SHEET OF	CITY DRAWING NUMBER