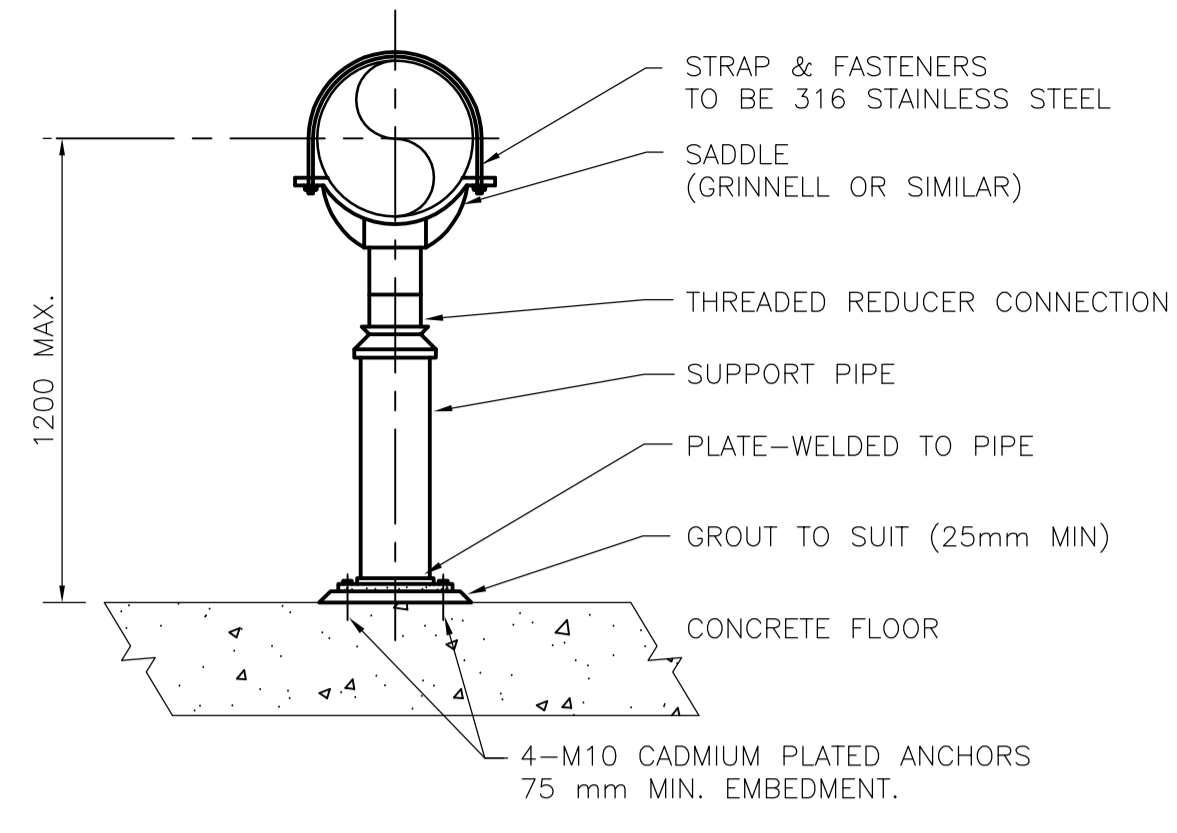


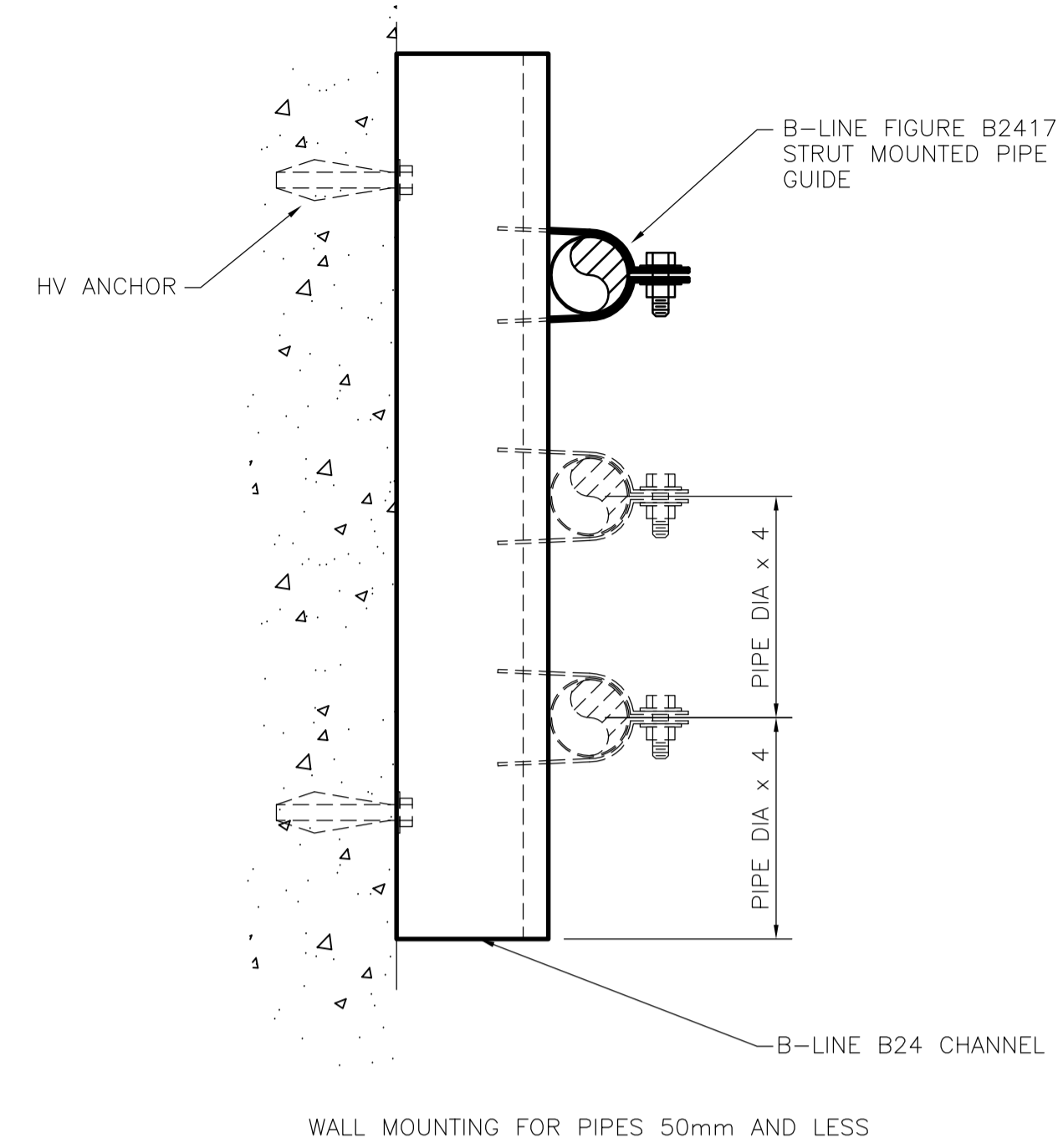
STD 212 PIPE SUPPORT IN TRENCH OR PIPE CHASE



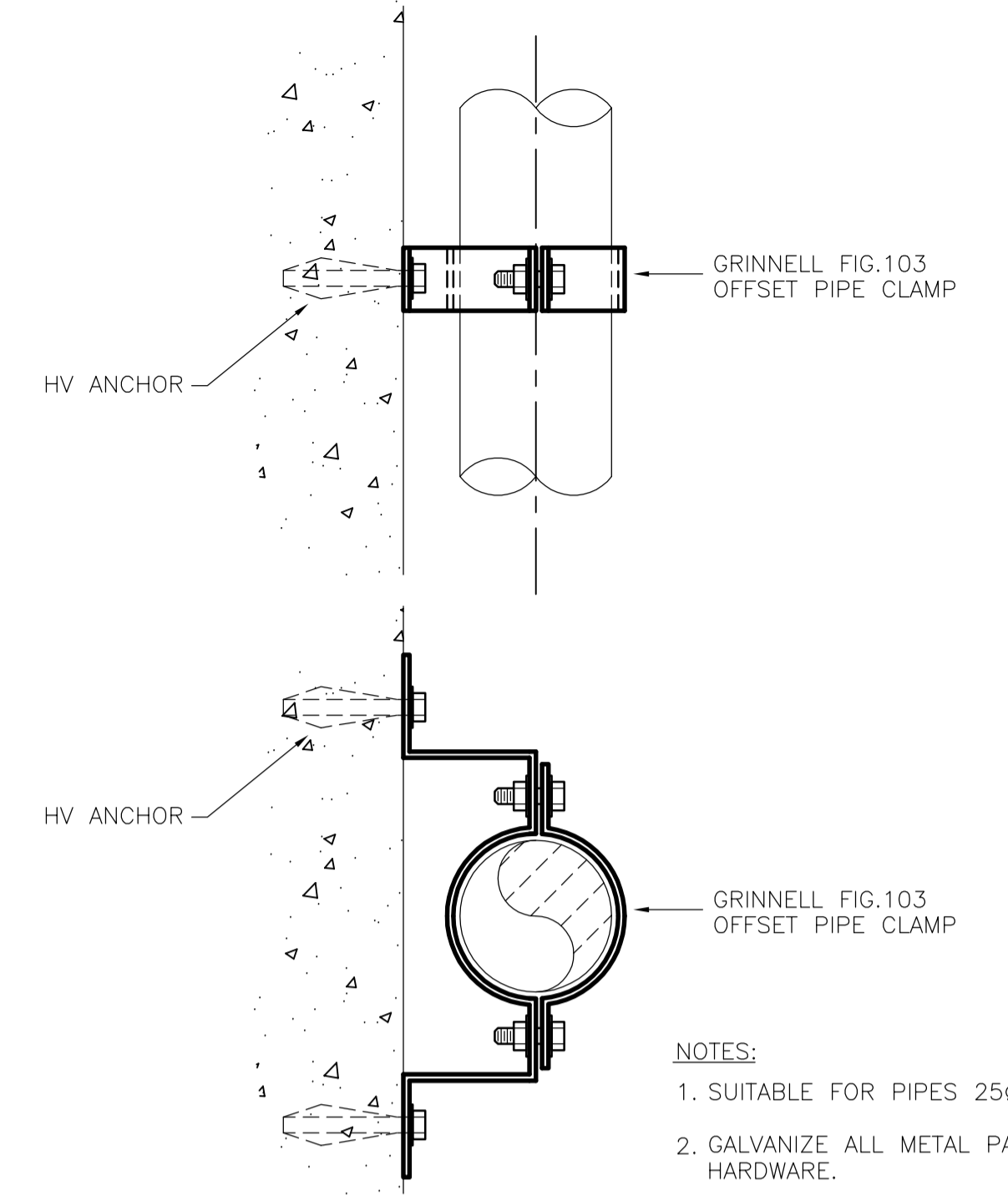
PIPE SIZE (mm)	SUPPORT PIPE (mm)	PLATE SIZE (mm)
50	38	150 X 150 X 9.5
75	50	250 X 250 X 9.5
100	75	250 X 250 X 9.5
150	100	250 X 250 X 9.5
200	150	250 X 250 X 9.5
250	200	300 X 300 X 9.5

FOR 25Ø PIPE, USE EXTENSION SPLIT PIPE CLAMP, ROD THREADED, GRINNELL FIG 138R.

STD 213 ADJUSTABLE PIPE SUPPORT

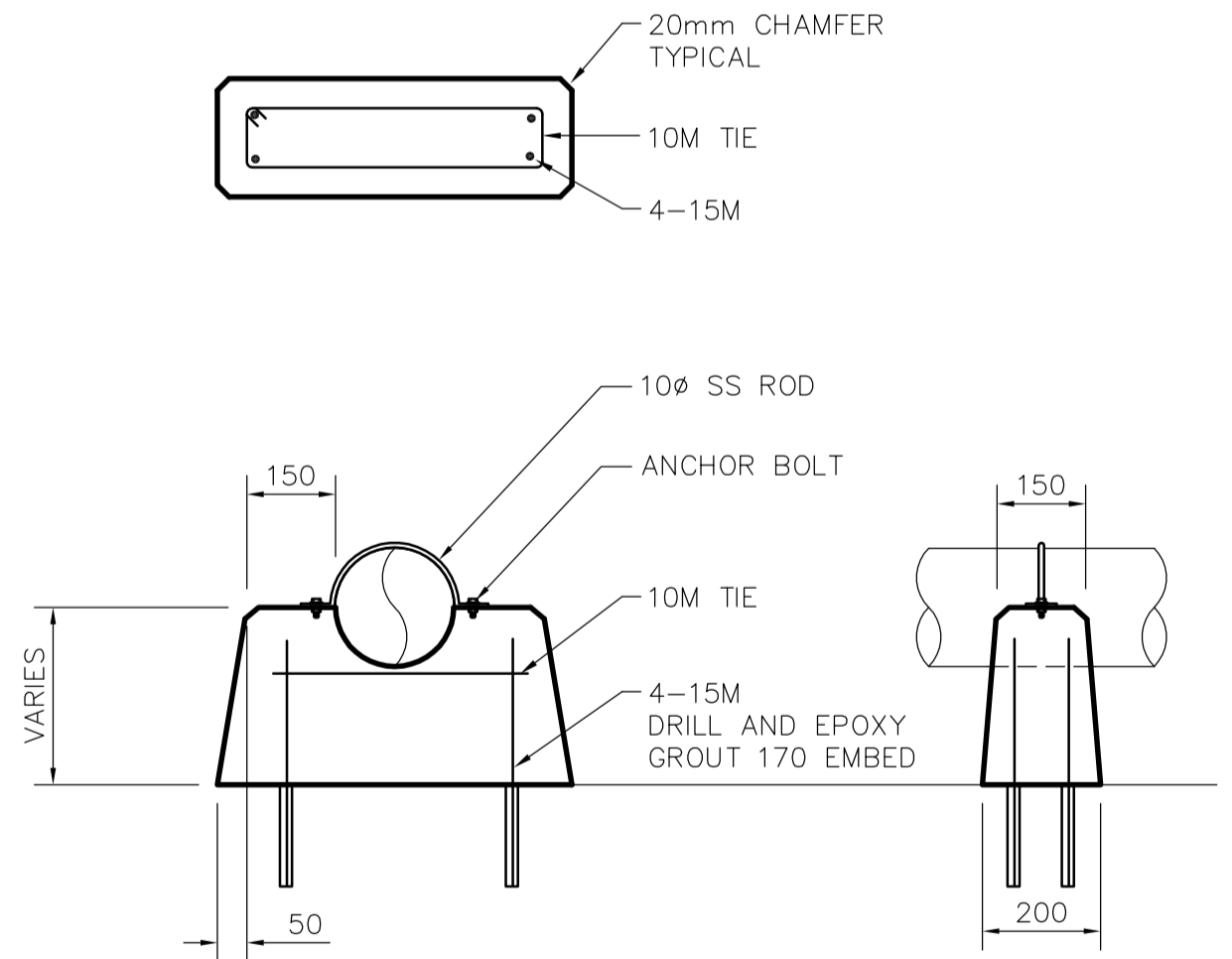


STD 214 SMALL PIPING WALL MOUNTED SUPPORT

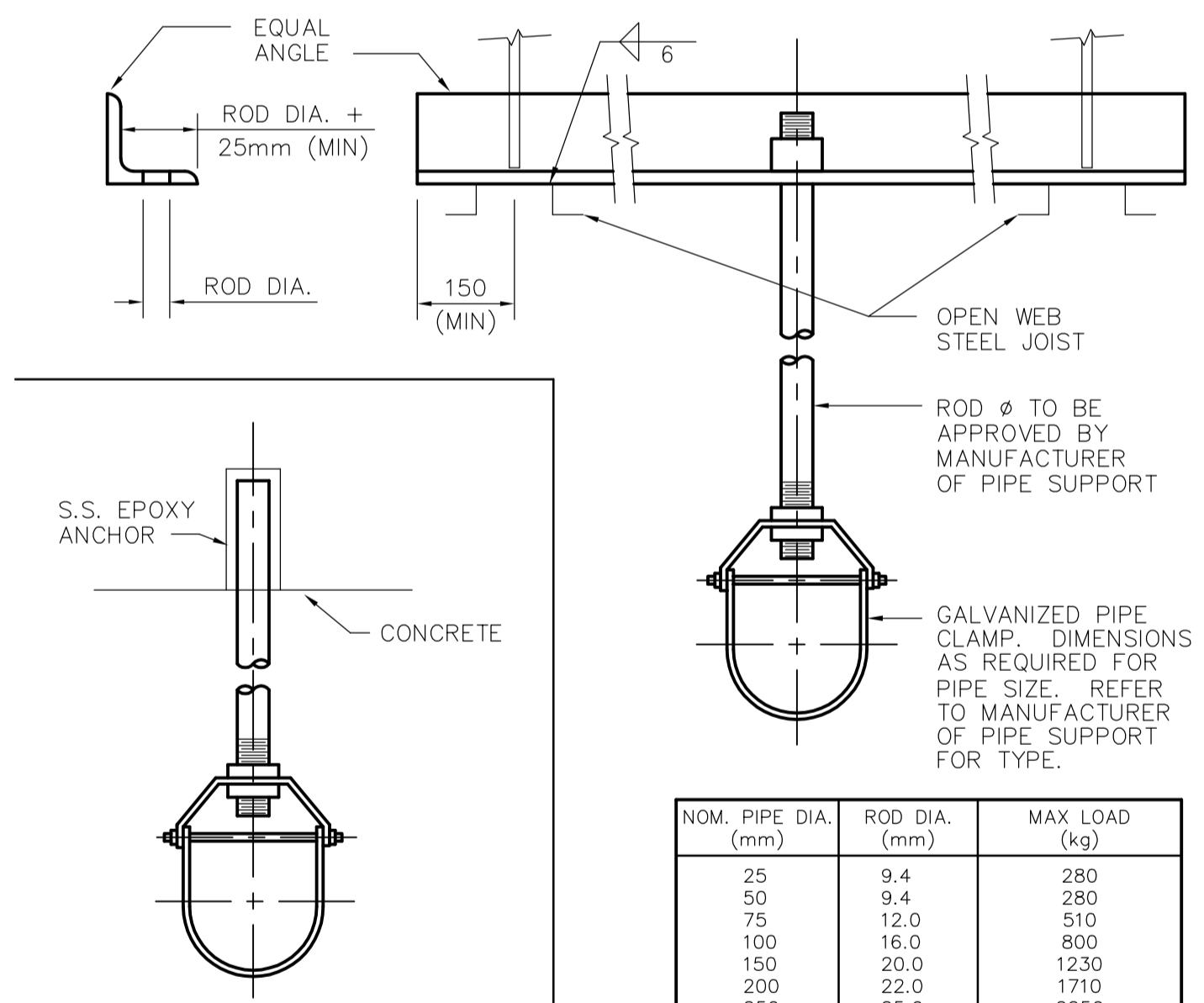


- NOTES:
- SUITABLE FOR PIPES 25Ø TO 300Ø.
 - GALVANIZE ALL METAL PARTS AND HARDWARE.
 - SUITABLE FOR WALL OR FLOOR SUPPORTED PIPE.
 - PROVIDE SS 316 PARTS AND HARDWARE FOR SUBMERGED APPLICATIONS.

STD 215 OFFSET PIPE SUPPORT



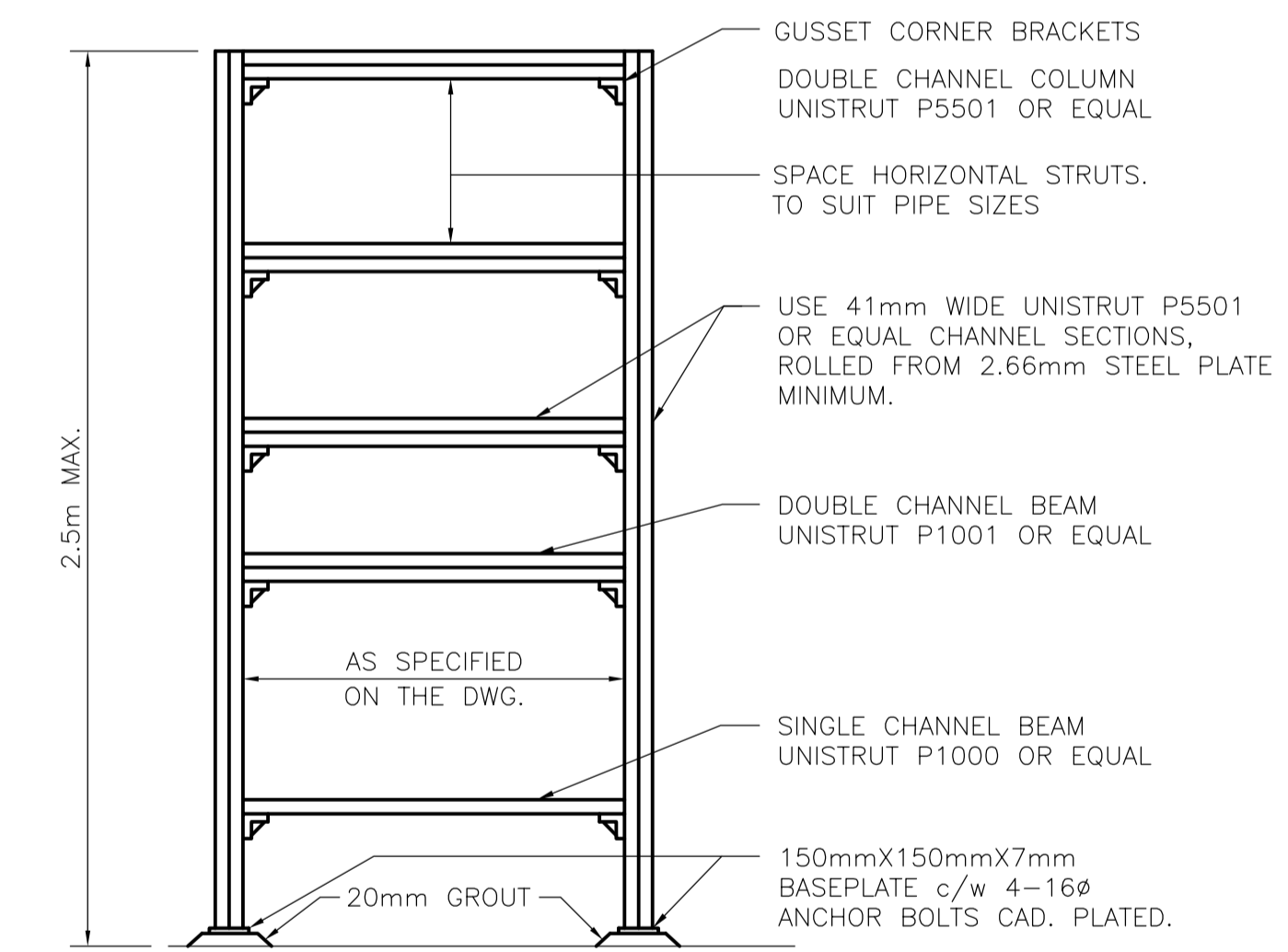
STD 216 CONCRETE PIPE SUPPORT



NOM. PIPE DIA. (mm)	ROD DIA. (mm)	MAX LOAD (kg)
25	9.4	280
50	9.4	280
75	12.0	510
100	16.0	800
150	20.0	1230
200	22.0	1710
250	25.0	2250
300	25.0	2250
350	25.0	2250
450	25.0	2250
500	32.0	3630
600	32.0	3630

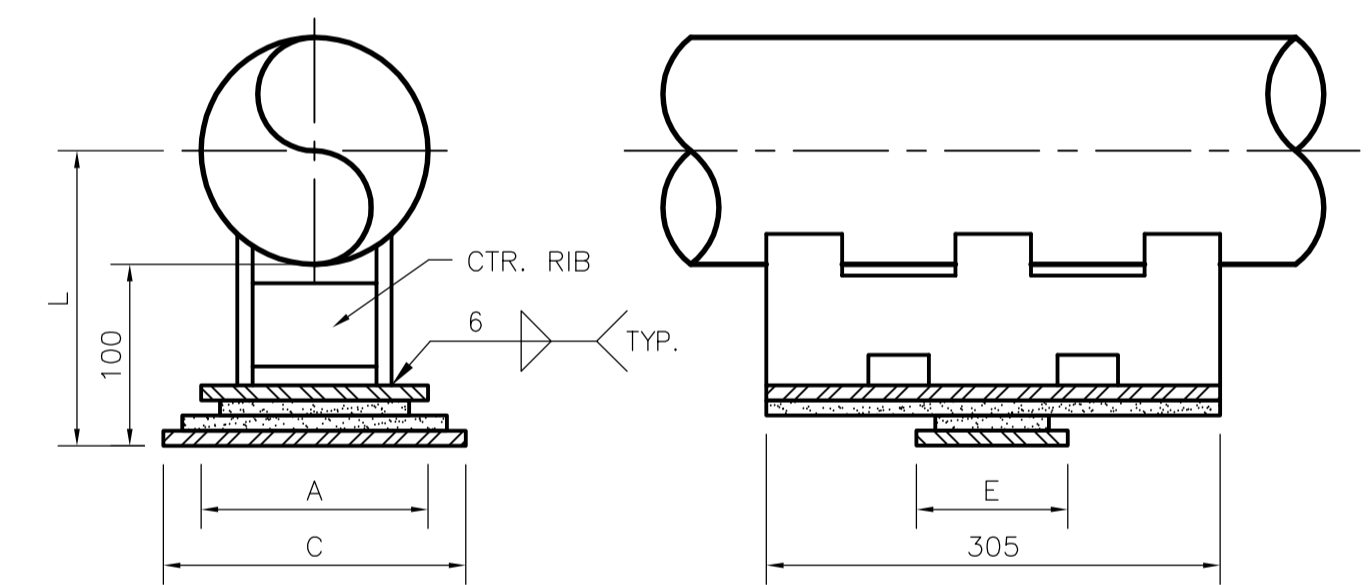
FOR PIPE HANGER SUPPORTED FROM UNDERSIDE OF CONC. SLAB/BEAM
 NOTE: ALL PIPE HANGER MATERIAL IN SUBMERGED AND HEADSPACE APPLICATIONS TO BE 316 SS
 PROVIDE PIPE SUPPORT WITH SAFETY FACTOR = 5 GRINNELL OR SIMILAR

STD 217 PIPE HANGER



BEAM WIDTH (mm)	MAXIMUM LOAD SINGLE CHANNEL UNISTRUT P1000 (kg)	MAXIMUM LOAD DOUBLE CHANNEL UNISTRUT P1001 (kg)	MAXIMUM COLUMN LOADING UNISTRUT P5501 (kg)	MAXIMUM LOAD DOUBLE CHANNEL UNISTRUT P5501 (kg)
600	770	1125	8400	1680
900	510	1125	8260	1680
1200	390	1080	7990	1680

STD 219 PIPE RACK



PIPE SIZE (mm)	MAXIMUM LOAD (kN)	DIMENSIONS (mm)			
		A	C	E	L
350	111	215	455	127	280
400	111	255	455	127	305
450	111	280	535	140	330
500	133	305	535	140	355
600	133	360	610	140	405
750	133	445	710	140	485
900	180	520	760	140	560
1050	180	595	915	140	635

- NOTES:
- ALL LOADS ARE BASED ON MAXIMUM OPERATING TEMPERATURE OF 600°F
 - AFFECT OF STRESS IN PIPE WALL TO BE DETERMINED BY OTHERS.

STD 401 PIPE SADDLE ON SLIDE PLATE

<p>Certificate of Authorization Earth Tech Canada Inc. No. 730 Expiry: April 30, 2007</p>	B.M. ELEV.	<p>A Tyco International Ltd. Company</p>	ENGINEER'S SEAL	<p>THE CITY OF WINNIPEG WATER AND WASTE DEPARTMENT ENGINEERING DIVISION</p>				
			DESIGNED BY: LW		CHECKED BY: SB	ORIGINAL SIGNED BY: J.E. HUTCHISON		
			DRAWN BY: GLG		APPROVED BY: JEH	2006/05/15		
			SCALE: NONE		RELEASED FOR CONSTRUCTION BY: K. MARTENS	CONSULTANT DRAWING NO. P19.03		
	NO. REVISIONS	DATE	DATE	DATE	2006/01/16	2006/05/15	PROCESS STANDARD DETAILS SHEET 3	CITY FILE NUMBER
							SHEET OF	
							CITY DRAWING NUMBER	