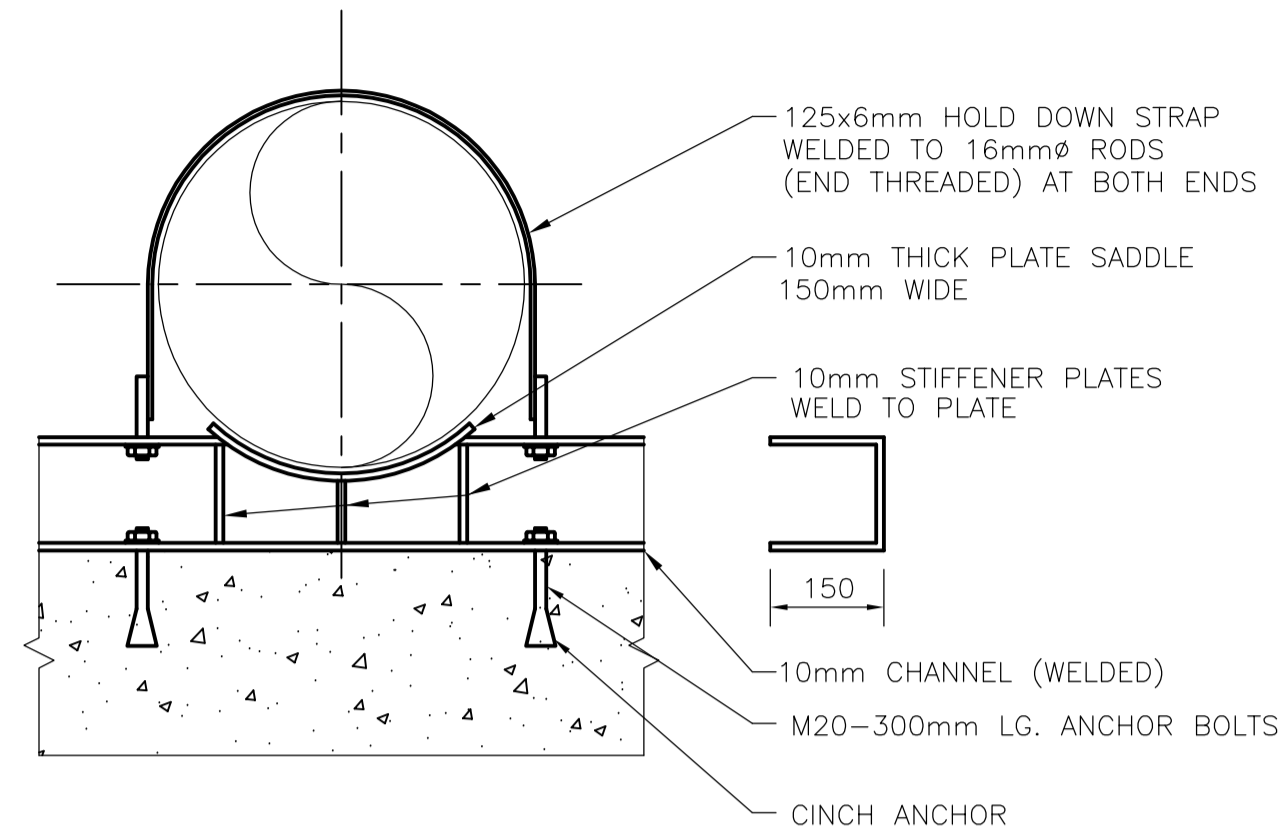
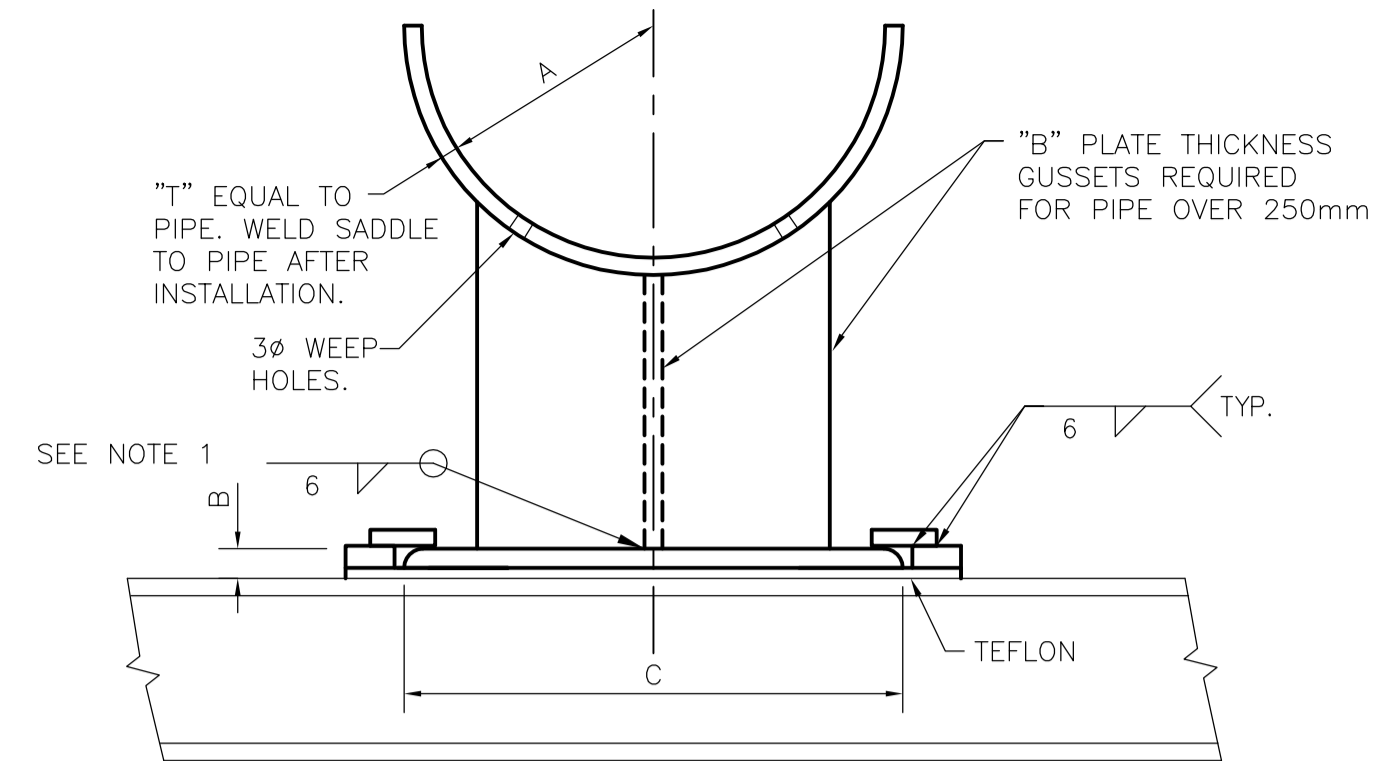


PIPE SIZE (mm)	LOAD FV (kN)	LOAD FA (kN)	LOAD FL (kN)	DIMENSIONS (mm)	
				A	L
350	111	55	27	215	280
400	111	55	27	255	305
450	111	55	27	280	330
500	133	67	36	305	355
600	133	67	36	360	405
750	133	67	36	445	485
900	180	89	45	520	560
1050	180	89	45	595	635

STD 403 PIPE SADDLE ON STEEL SUPPORT



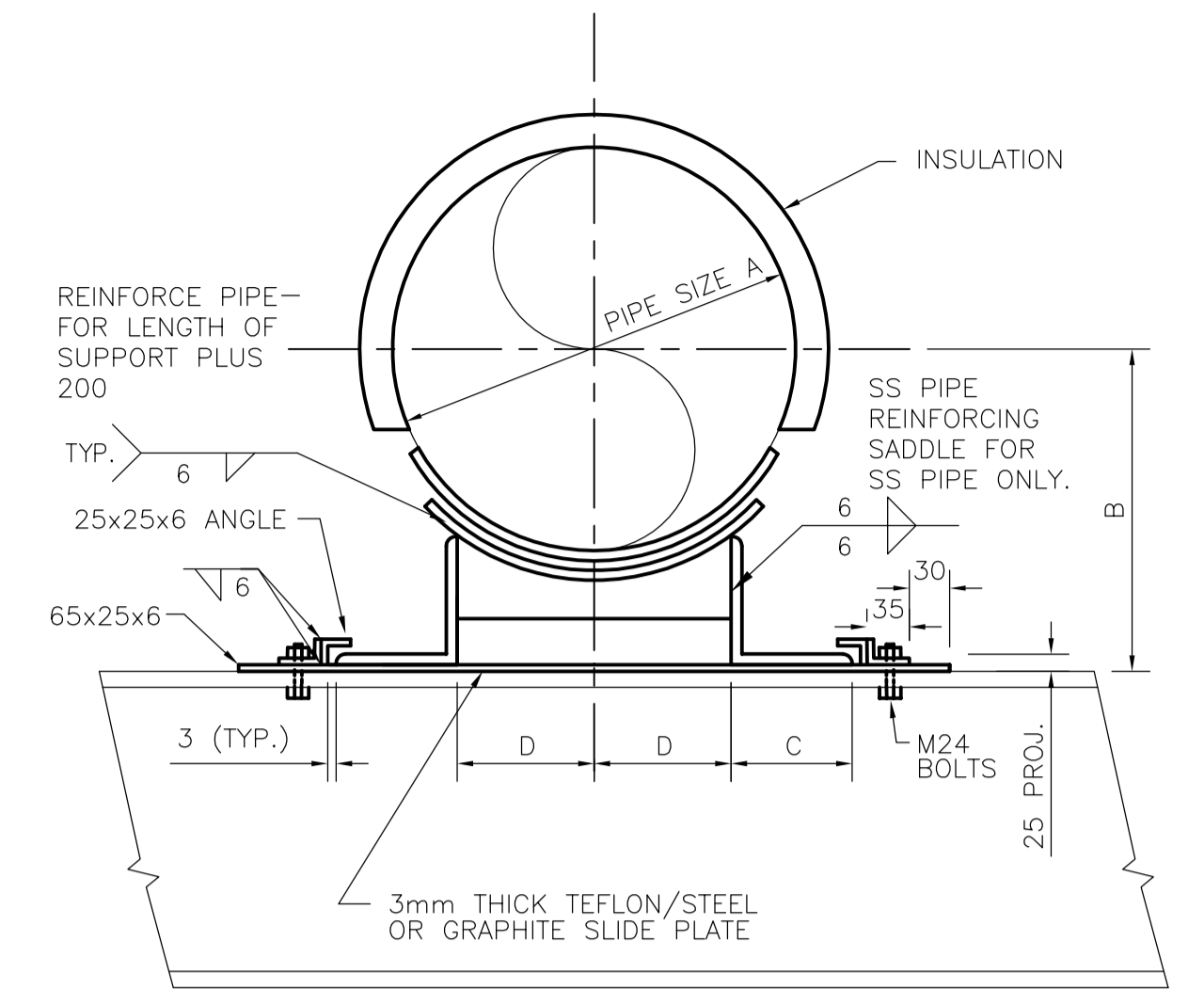
STD 404 PIPE TIE DOWN DETAILS



NOTE:
1. PIPE SHOES WILL BE FABRICATED FROM MILD STEEL STRUCTURAL TEES OR MILD STEEL PLATES.

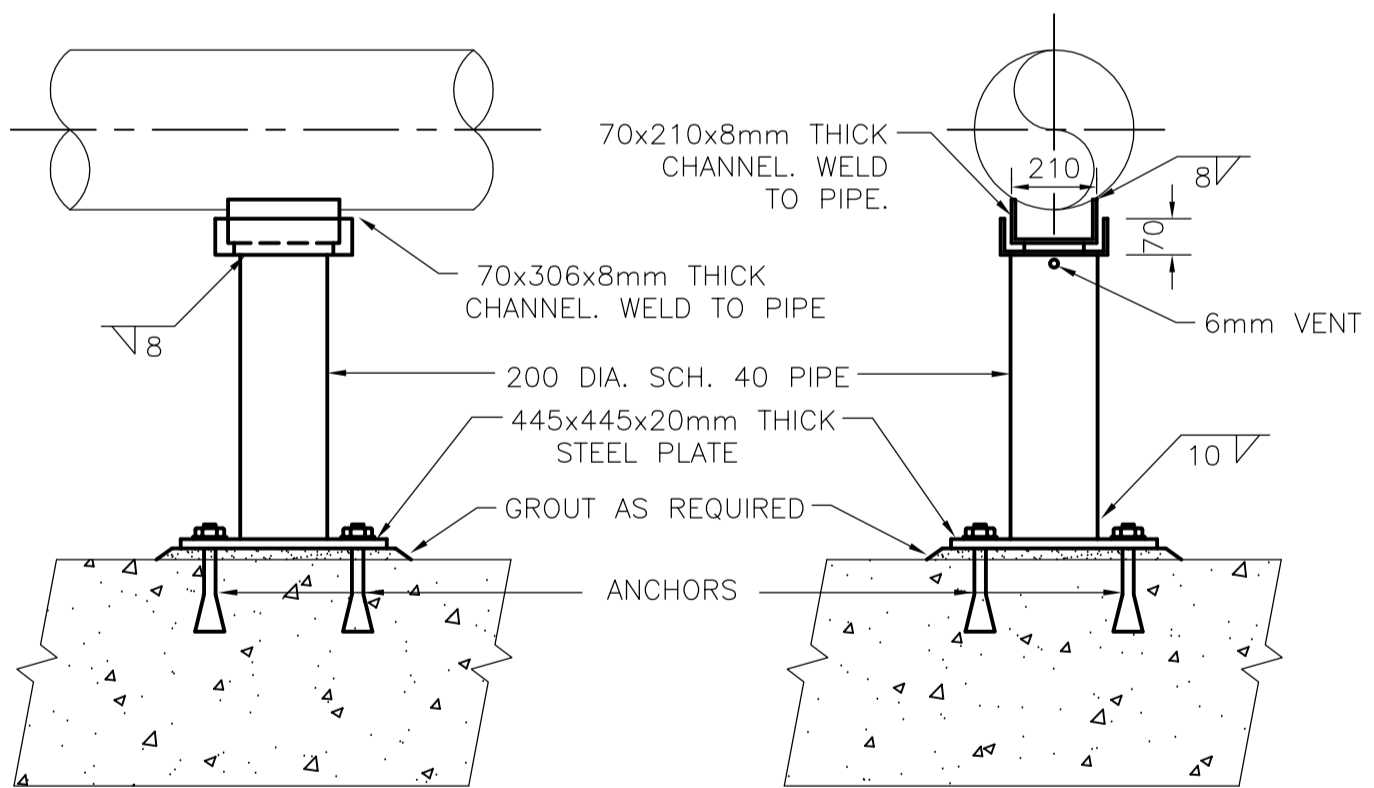
PIPE DIAM. A (mm)	B (mm)	C (mm)	MAXIMUM SPACING BETWEEN SUPPORTS (mm)		
			METAL	PVC	FRP
65	6	65	3600	1500	2400
80	6	80	4200	1800	2700
100	6	100	4200	1800	2700
150	6	150	5200	2400	3000
200	6	200	5800	3000	3300
250	10	250	6700	3500	3500
300	10	300	7000	3500	3500
350	10	350	7000	3500	3500
400	10	400	7000	3500	3500
450	10	450	7000	3500	3500
500	13	500	7000	3500	3500
600	13	600	7000	3500	3500

STD 405 GUIDED PIPE SUPPORT ASSEMBLY

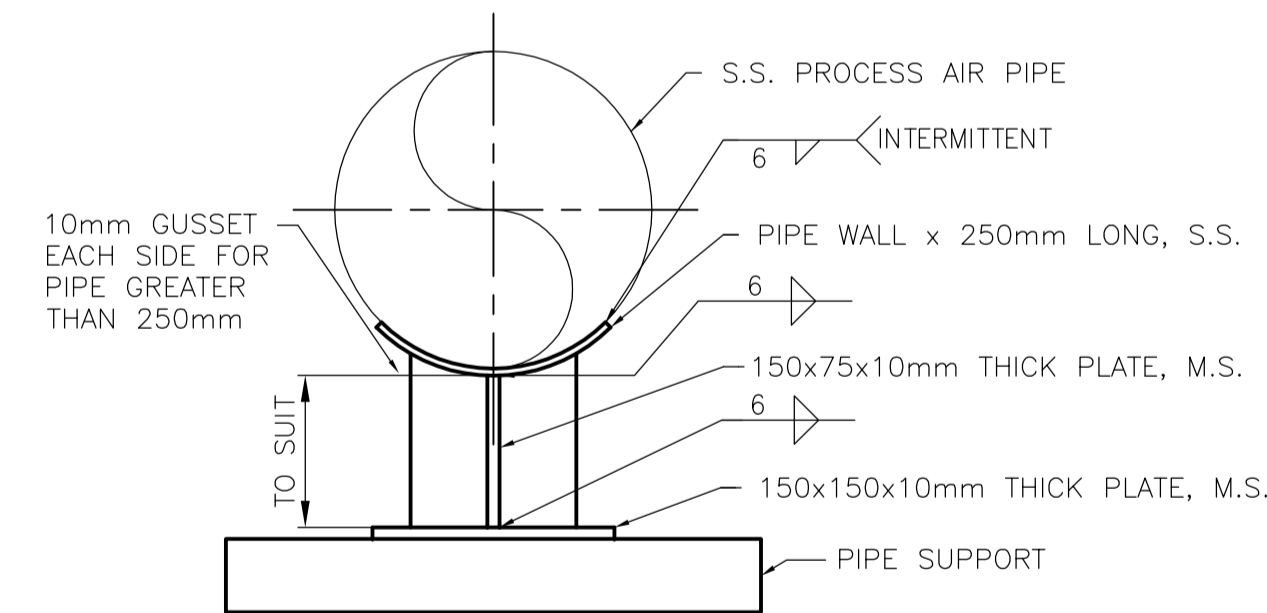


PIPE DIAM. A (mm)	B (mm)	C (mm)	D (mm)	LENGTH (mm)
300	300	75	100	100
450	375	125	150	150
600	450	150	200	200
750	525	200	250	225
900	600	225	300	250
1050	675	250	350	300

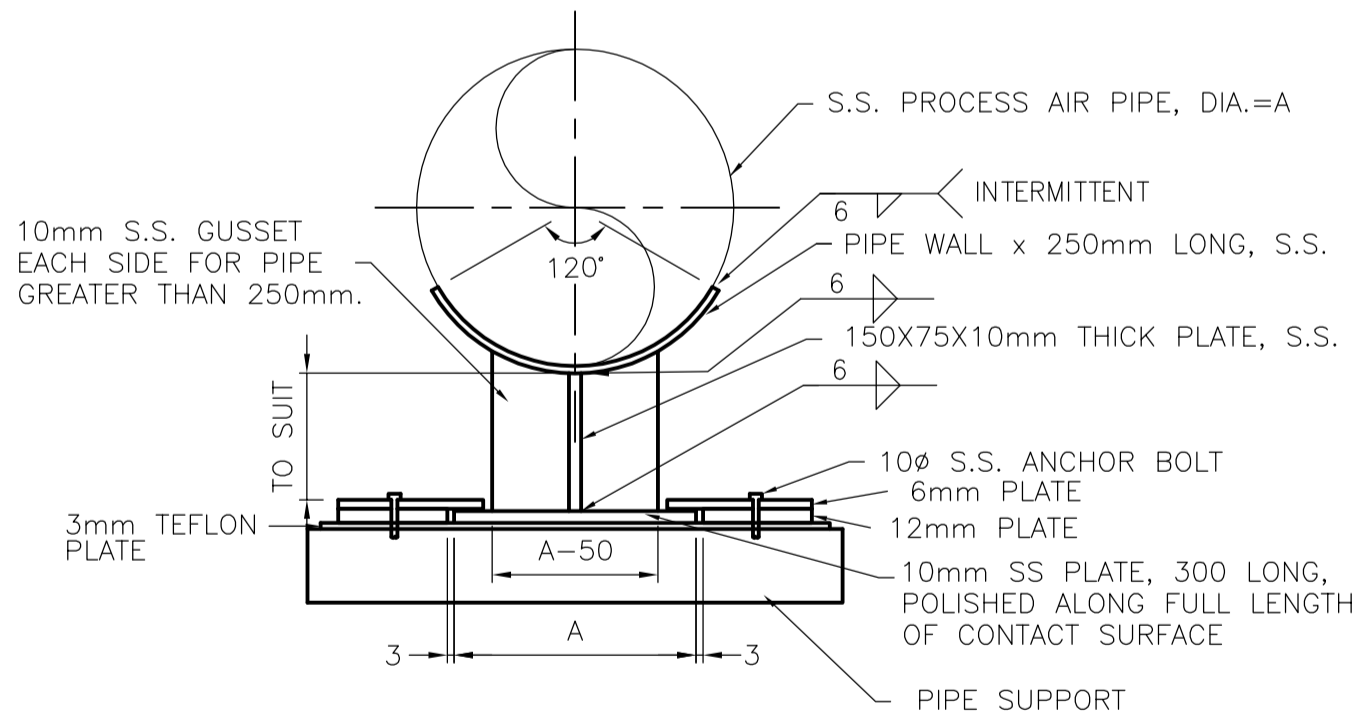
STD 406 PIPE GUIDE FOR GAUGE PIPE



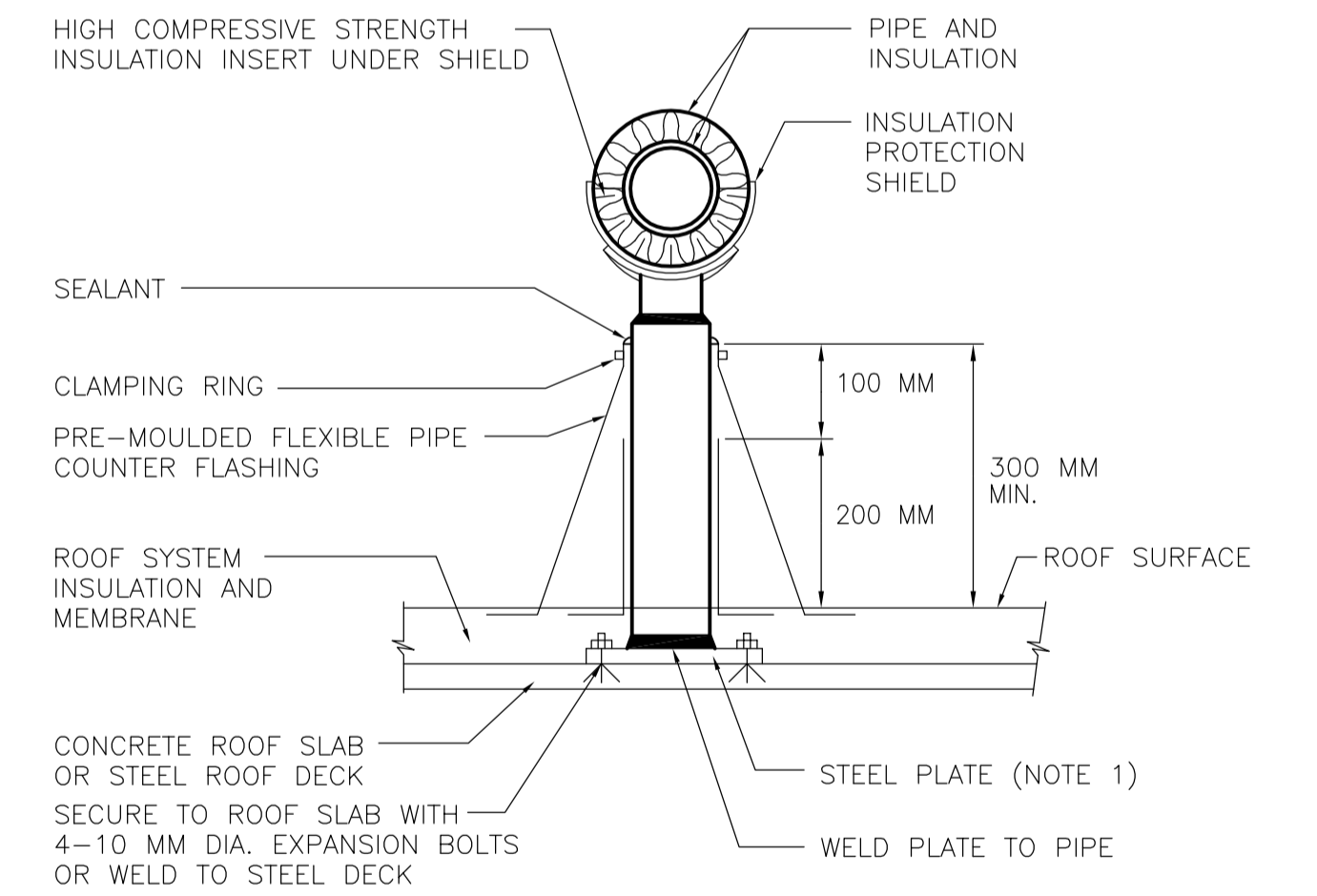
STD 408 PIPE SUPPORT



STD 409 PROCESS AIR PIPE SUPPORT



STD 410 PROCESS AIR PIPE GUIDE



NOTE 1
450x450x12mm FOR 300mmØ PIPE
750x750x12mm FOR 600mmØ PIPE

STD 411 DETAIL FOR SUPPORTING PIPE ON ROOF

<p>Certificate of Authorization Earth Tech Canada Inc. No. 730 Expiry: April 30, 2007</p>	B.M. ELEV.	<p>A Tyco International Ltd. Company</p>	ENGINEER'S SEAL	<p>THE CITY OF WINNIPEG WATER AND WASTE DEPARTMENT ENGINEERING DIVISION</p>				
			DESIGNED BY: LW		CHECKED BY: SB	ORIGINAL SIGNED BY: J.E. HUTCHISON		
			DRAWN BY: GLG		APPROVED BY: JEH	2006/05/15		
			SCALE: NONE		RELEASED FOR CONSTRUCTION BY: K. MARTENS	CONSULTANT DRAWING NO. P19.04		
	NO. REVISIONS	DATE BY	DATE	2006/01/16	DATE	2006/05/15	NEWPC CENTRATE NUTRIENT TREATMENT NITROGEN REMOVAL FACILITY	CITY FILE NUMBER
							PROCESS STANDARD DETAILS SHEET 4	SHEET OF
								CITY DRAWING NUMBER