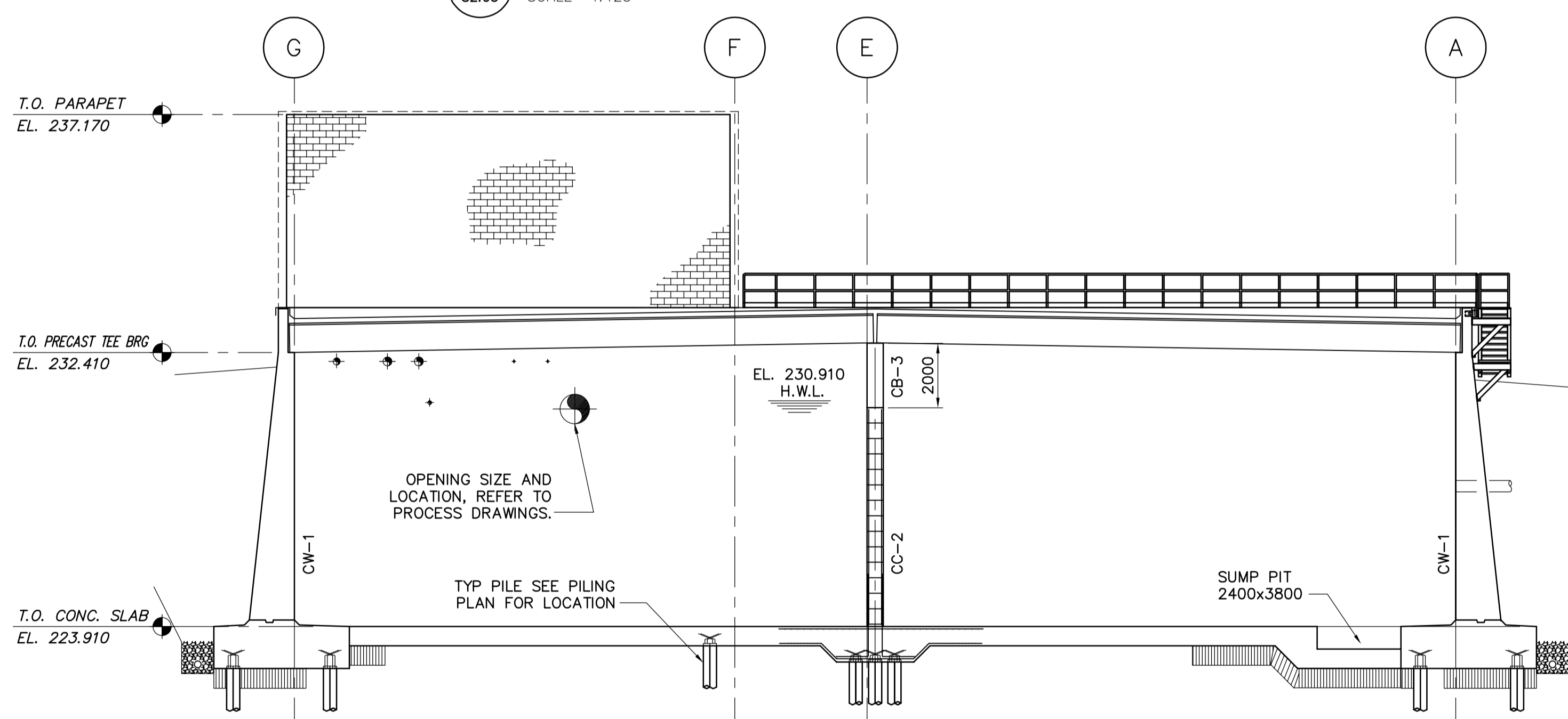
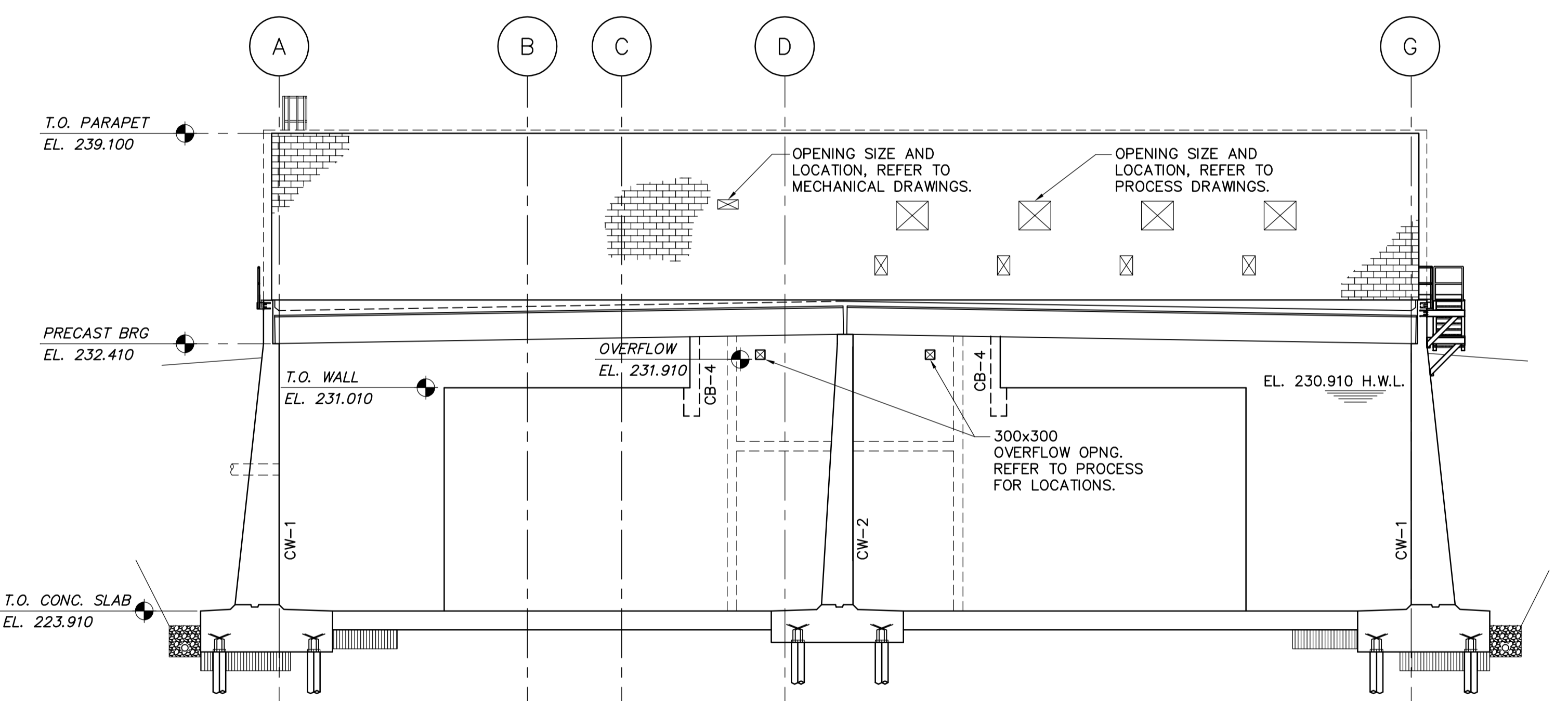


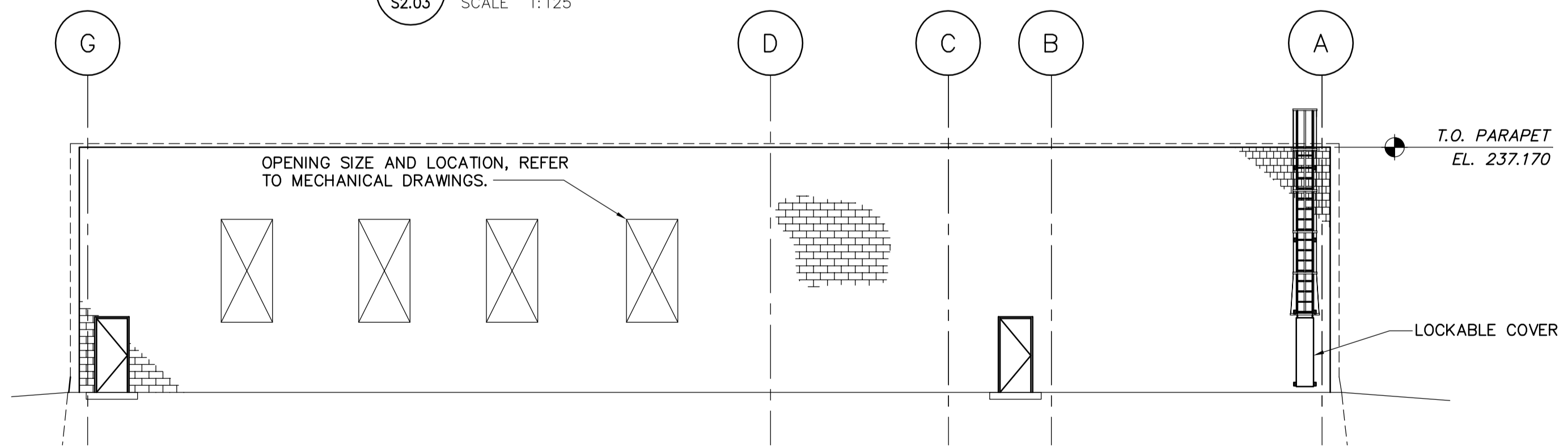
1 SECTION  
S2.03 SCALE 1:125



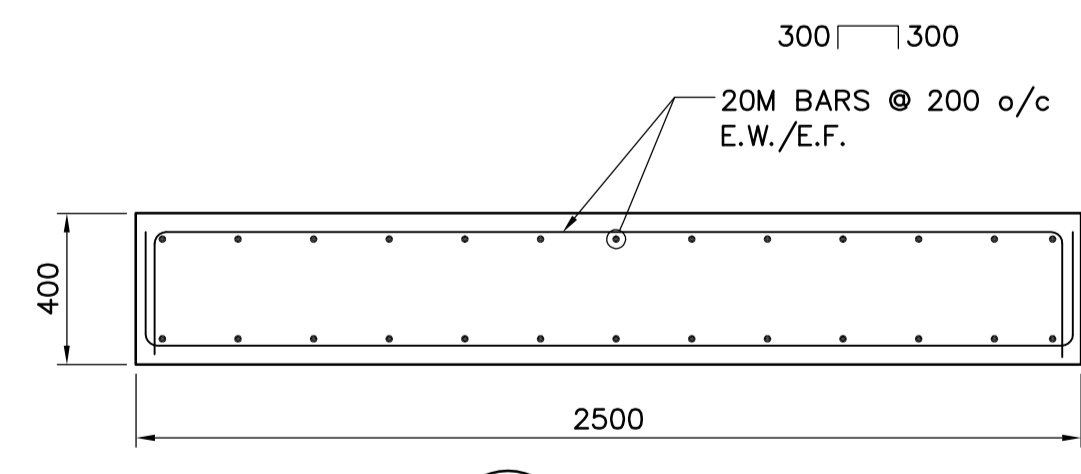
2 SECTION  
S2.03 SCALE 1:125



3 SECTION  
S2.03 SCALE 1:125



4 WALL ELEVATION  
S2.03 SCALE 1:125



5 SECTION  
S1.01 SCALE 1:20

<p>Certificate of Authorization Earth Tech Canada Inc. No. 730 Expiry: April 30, 2007</p>	B.M. ELEV.	<p>A Tyco International Ltd. Company</p>	ENGINEER'S SEAL	<p>THE CITY OF WINNIPEG WATER AND WASTE DEPARTMENT ENGINEERING DIVISION</p>			
	DESIGNED BY: LLR		CHECKED BY: GGP		ORIGINAL SIGNED BY: L.L. RIDING		
	DRAWN BY: WDB		APPROVED BY: JEH		DATE: 2006/05/15		
	SCALE: AS NOTED		RELEASED FOR CONSTRUCTION BY: K. MARTENS		CONSULTANT DRAWING NO. S3.03		
NO. REVISIONS	DATE	BY	DATE	DATE	NO. OF SHEETS	CITY FILE NUMBER	CITY DRAWING NUMBER
00	ISSUED FOR TENDER	06/05/15	WDB	2005/11/24	2006/05/15	NEWPCC CENTRATE NUTRIENT TREATMENT NITROGEN REMOVAL FACILITY	STRUCTURAL SBR BUILDING BUILDING SECTIONS & ELEVATION