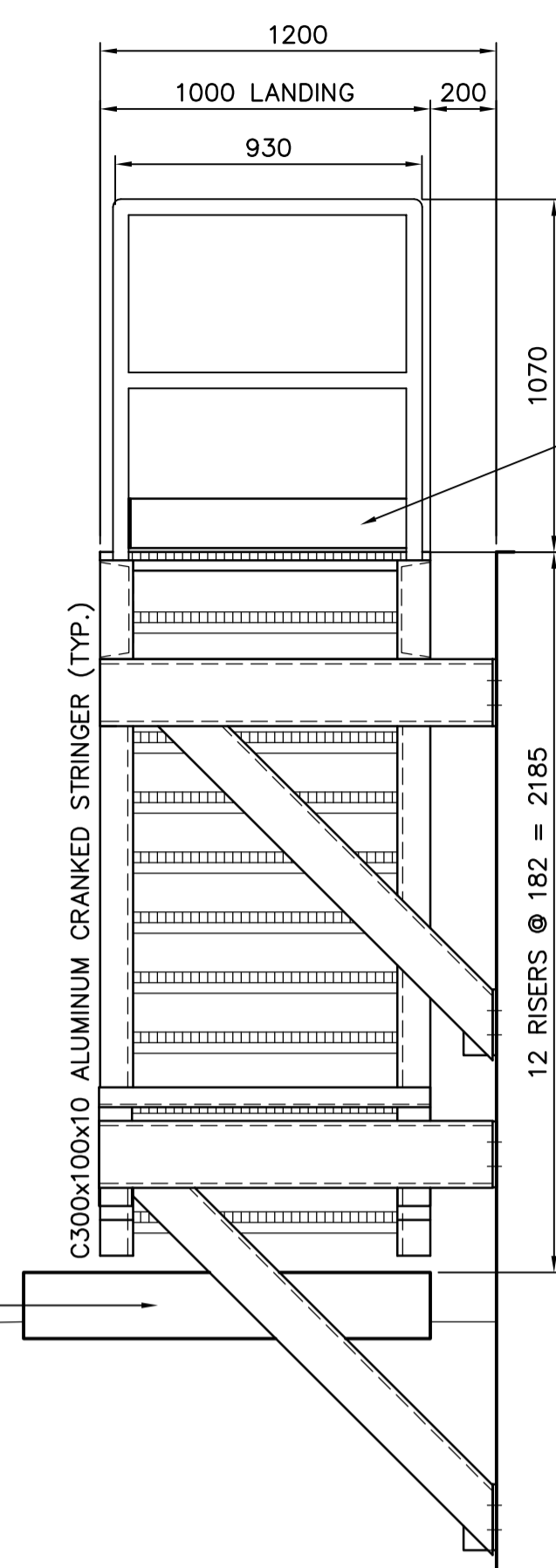
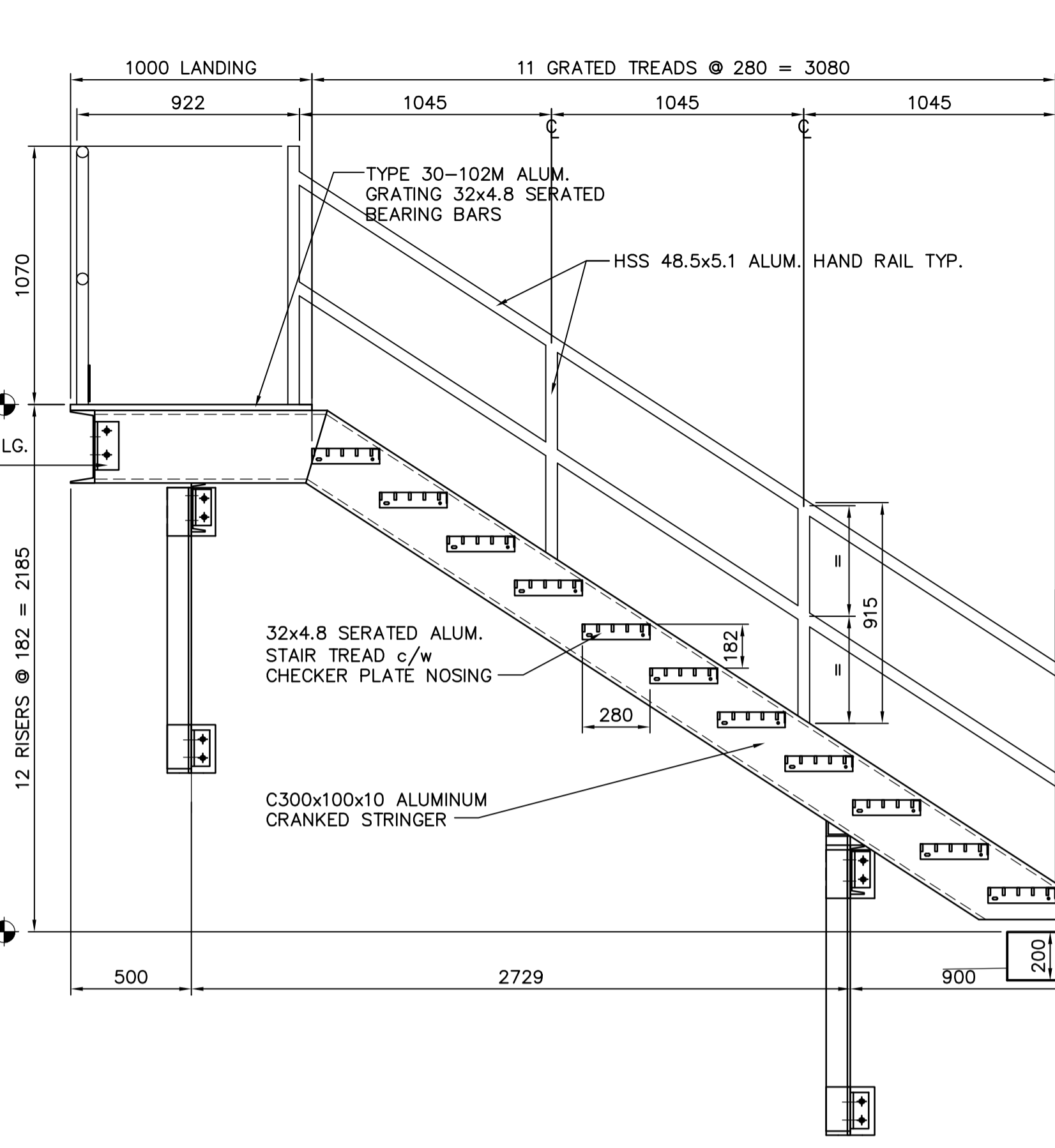


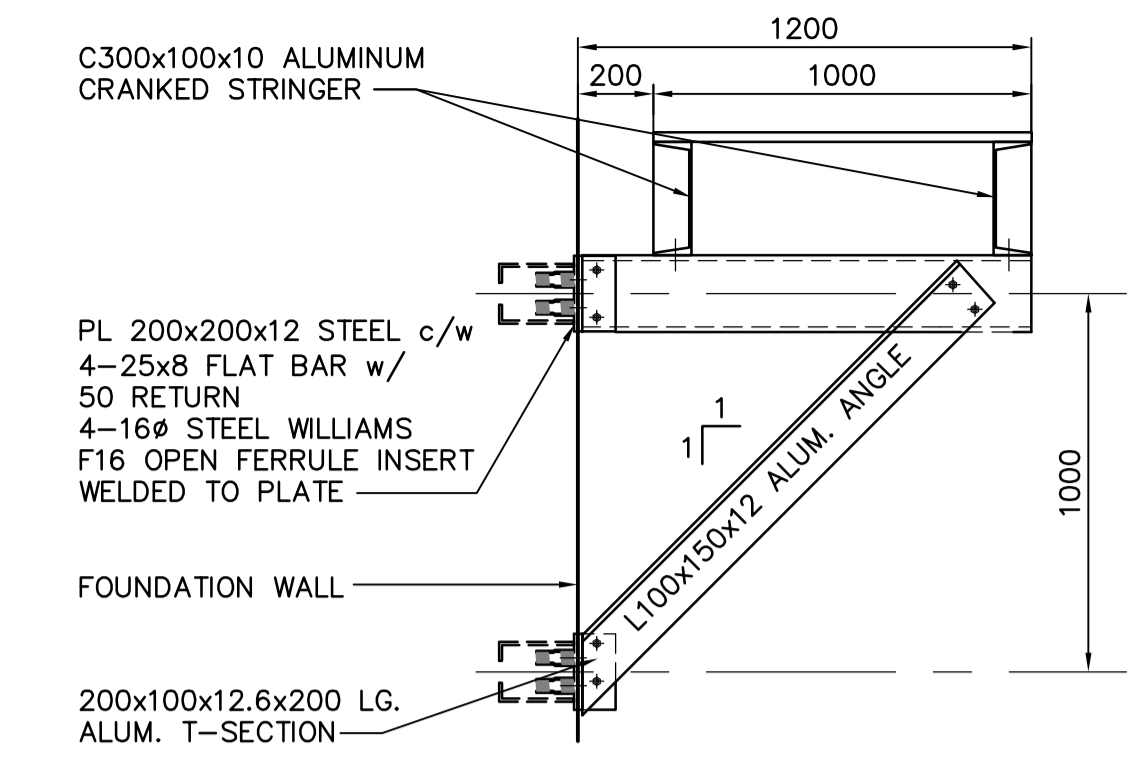
1 STAIR #1 PLAN
S3.01 SCALE 1:20



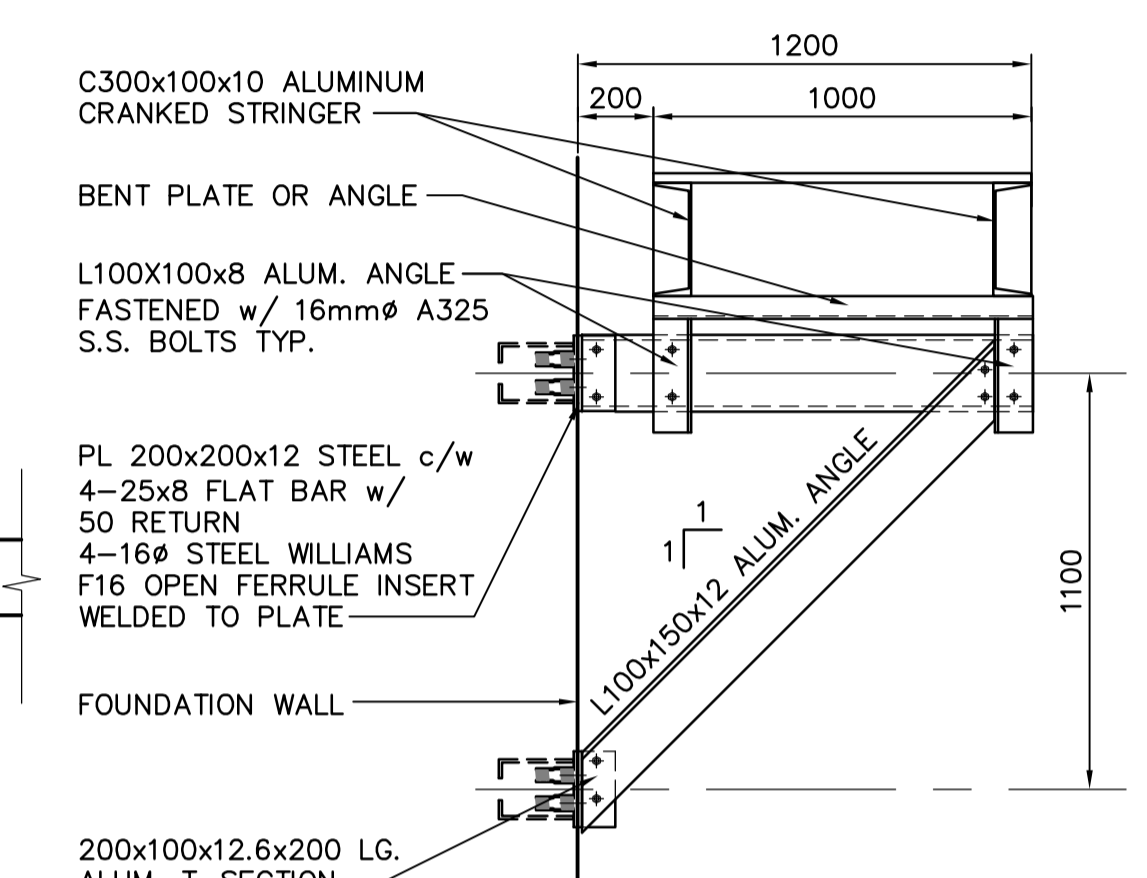
3 STAIR #1 ELEVATION
S3.07 SCALE 1:20



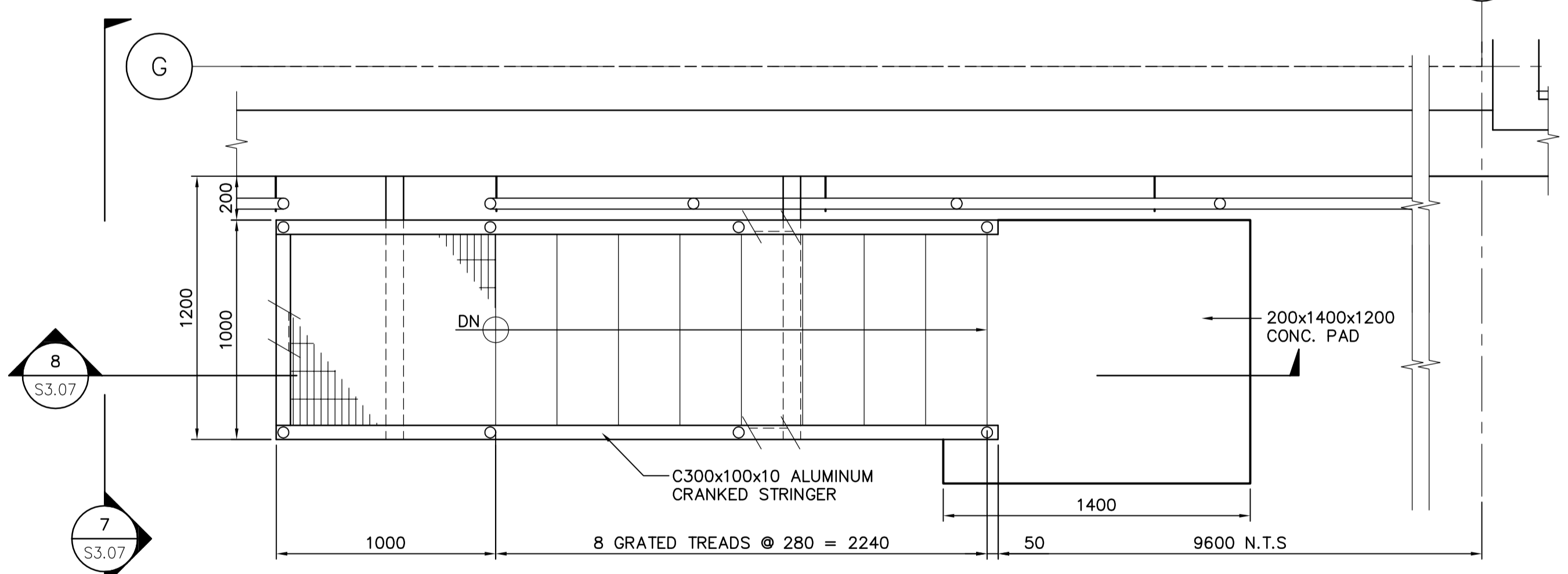
4 STAIR #1 SECTION
S3.07 SCALE 1:20



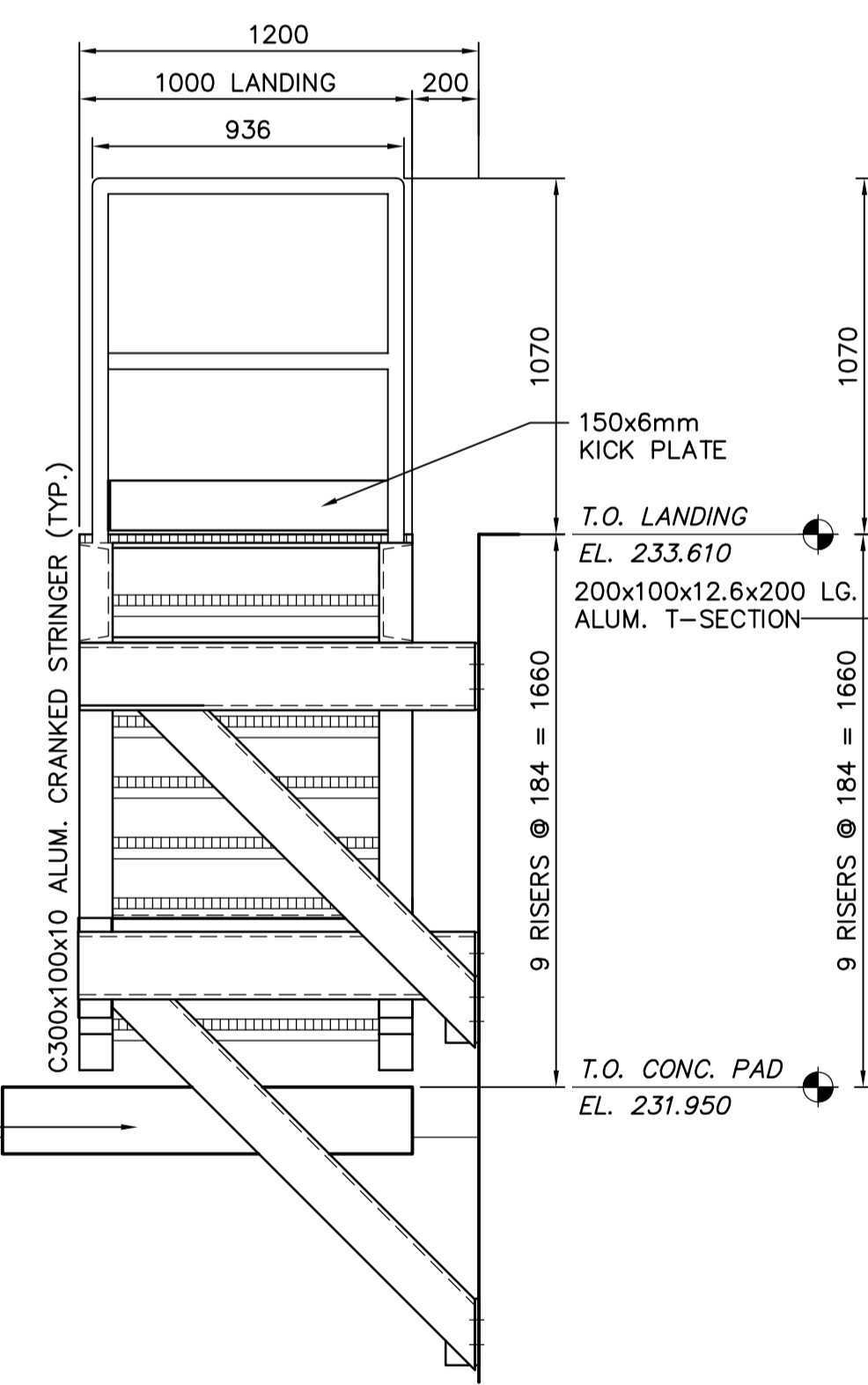
5 TYP. UPPER SUPPORT SECTION
S3.07 SCALE 1:20



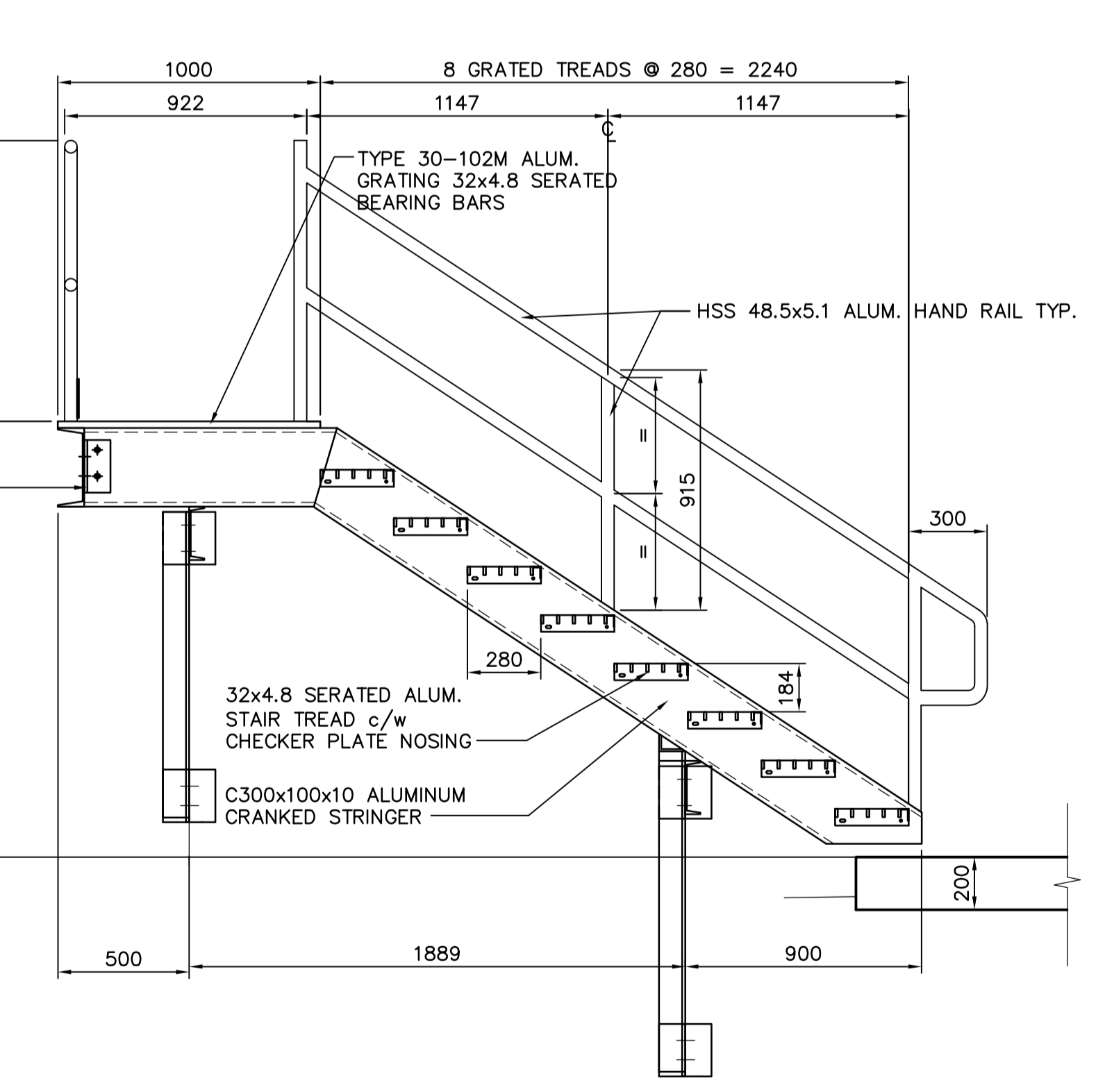
6 TYP. LOWER SUPPORT SECTION
S3.07 SCALE 1:20



2 STAIR #2 PLAN
S3.01 SCALE 1:20



7 STAIR #2 ELEVATION
S3.07 SCALE 1:20



8 STAIR #2 SECTION
S3.07 SCALE 1:20



B.M. ELEV.		 A Tyco International Ltd. Company		ENGINEER'S SEAL	
				ORIGINAL SIGNED BY	
		DESIGNED BY	LLR	CHECKED BY	GGP
		DRAWN BY	WDB/GGP	APPROVED BY	JEH
		SCALE:	AS NOTED	RELEASED FOR CONSTRUCTION BY:	K. MARTENS
00	ISSUED FOR TENDER	06/05/15	WDB	DATE	2006/04/10
	NO. REVISIONS	DATE	BY	DATE	2006/05/15

 THE CITY OF WINNIPEG WATER AND WASTE DEPARTMENT ENGINEERING DIVISION		CITY FILE NUMBER
NEWPCC CENTRATE NUTRIENT TREATMENT NITROGEN REMOVAL FACILITY		SHEET OF
STRUCTURAL SBR BUILDING STAIR PLANS, SECTIONS & DETAILS		CITY DRAWING NUMBER
CONSULTANT DRAWING NO. S3.07		