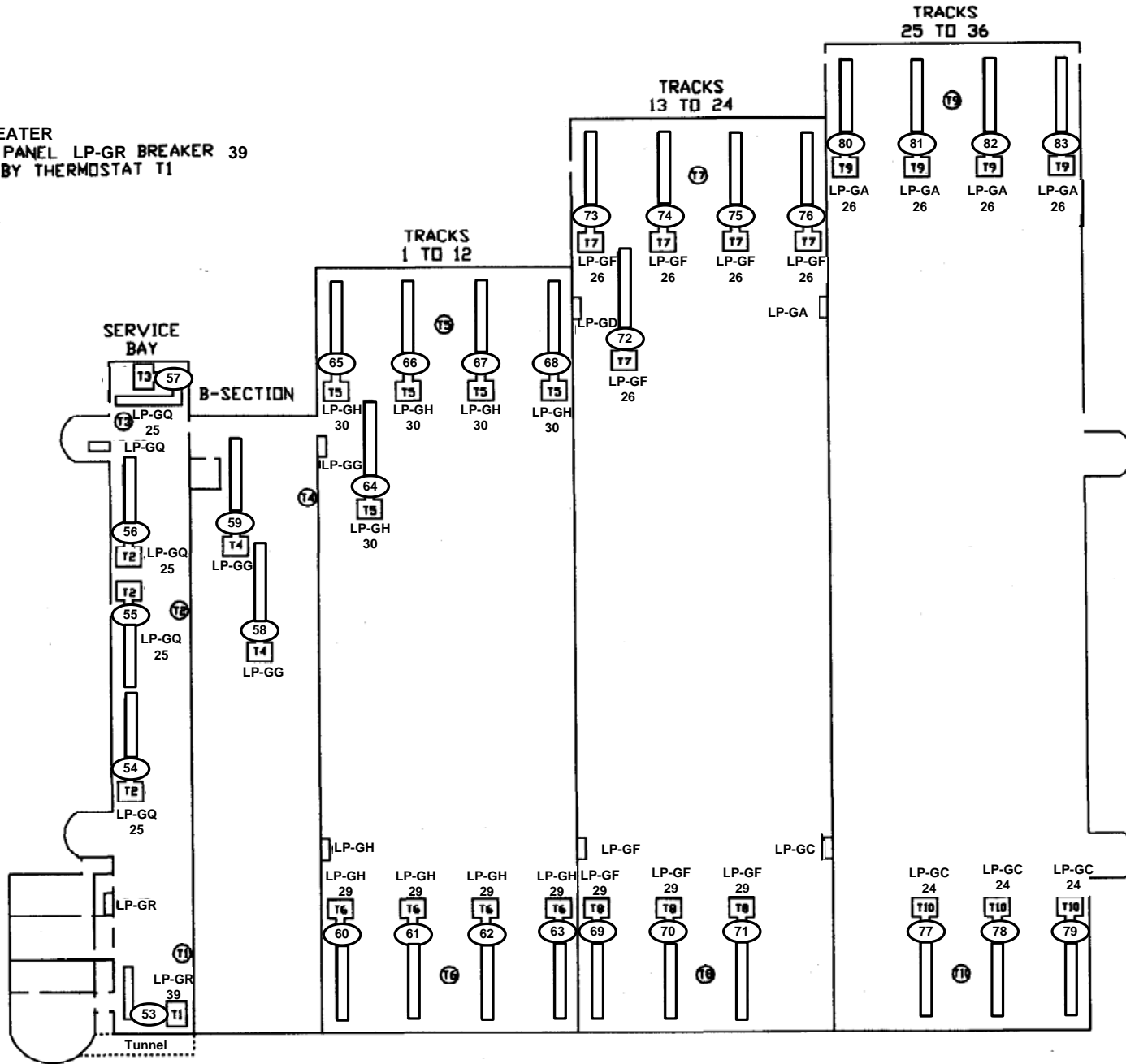


**LEGEND**

**T1** THERMOSTAT

**53** **T1** INFRA RED HEATER  
 POWERED BY PANEL LP-GR BREAKER 39  
 CONTROLLED BY THERMOSTAT T1

**53** UNIT NUMBER



**WINNIPEG TRANSIT DEPARTMENT**  
 421 Osborne Street  
 Winnipeg MB R3L 2A2  
 Tel: 986-3821 / 479-5430  
 avecherya@winnipeg.ca

PROJECT  
**INSPECTION AND REPAIR OF HVAC EQUIPMENT AT WINNIPEG TRANSIT DEPARTMENT**

SHEET TITLE  
**LOCATION OF INFRA RED HEATERS AT FORT ROUGE GARAGE STORAGE TRACKS**

DRAWN BY <b>AV</b>	CHECKED BY <b>AV</b>	APPR. BY
-----------------------	-------------------------	----------

eFILE 309-2006 DRAWING A-4-RO	PROJECT No <b>309-2006</b>
-------------------------------------	-------------------------------

DATE <b>2006. 06.06</b>	SCALE <b>NTS</b>
----------------------------	---------------------

SHEET No  
**A-4**