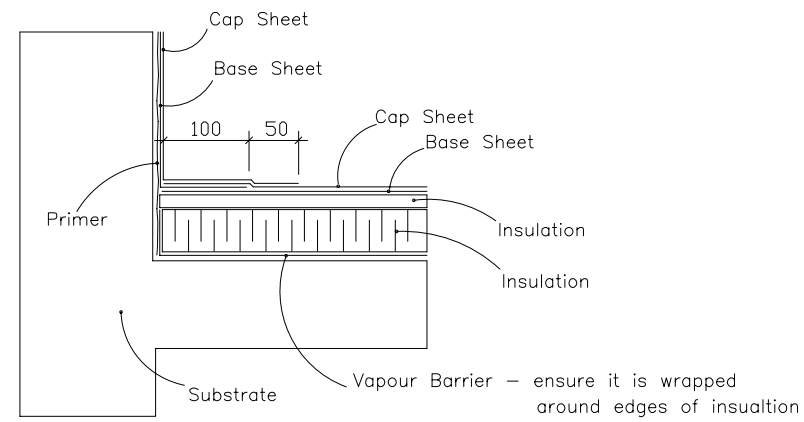
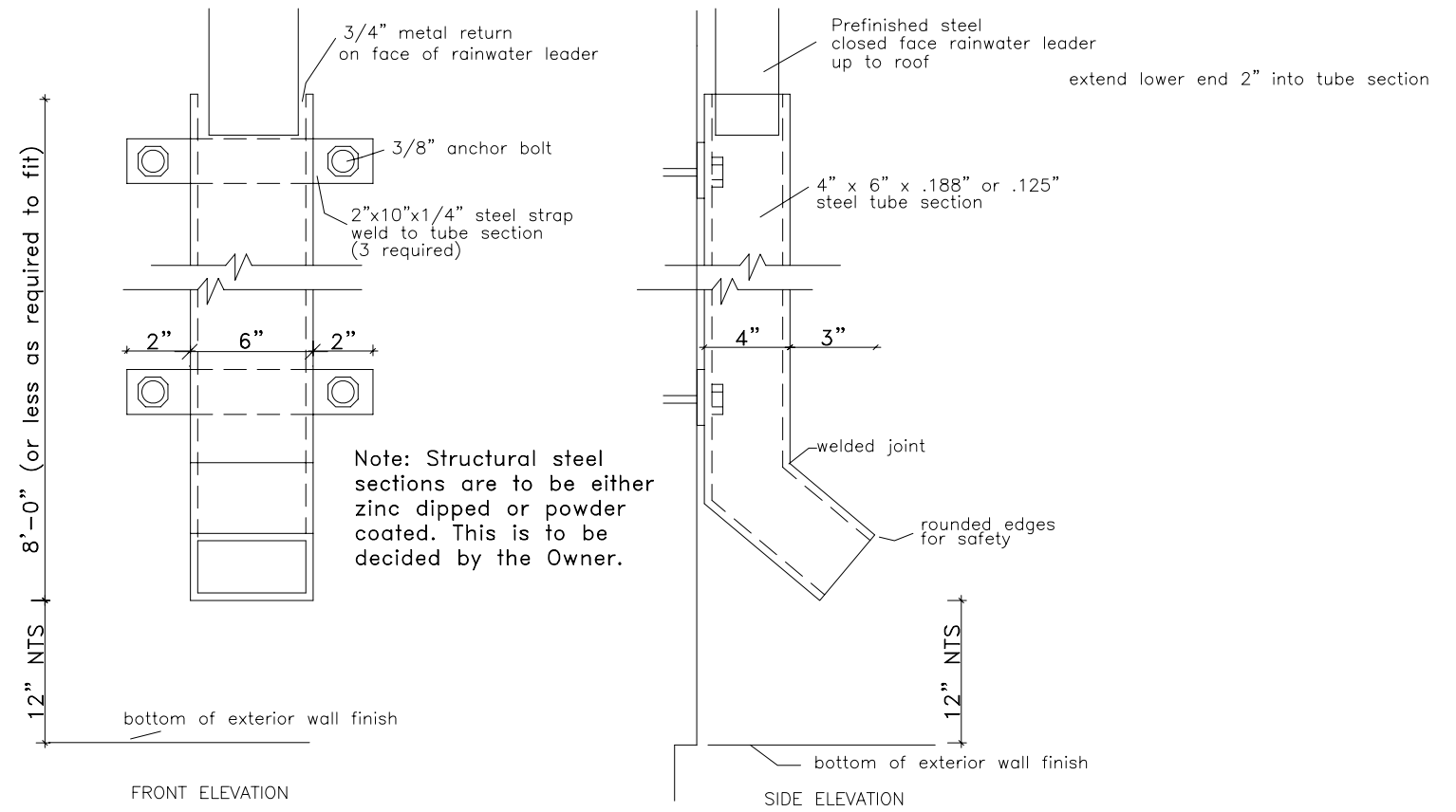


Typical Roof Edge Detail

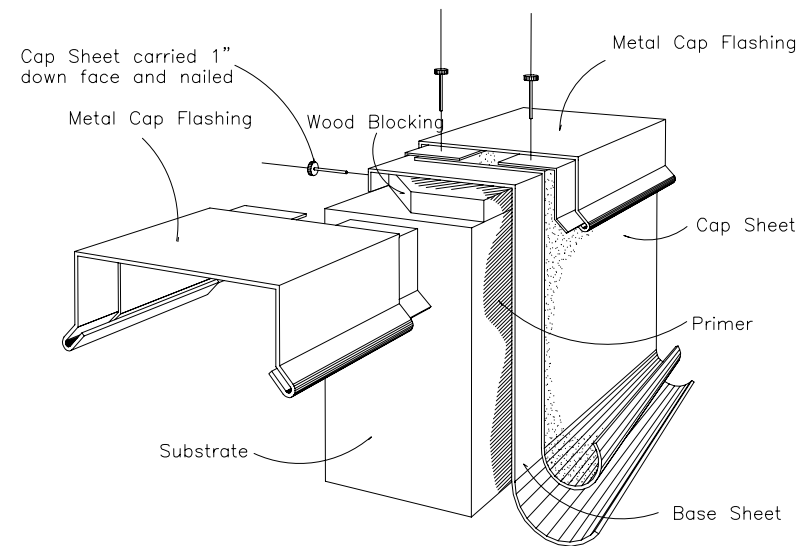


Note: Modified Bitumen stipping used in conjunction with 4 ply felt membrane is to have base sheet extend 12" onto flat and cap sheet 18" onto flat.

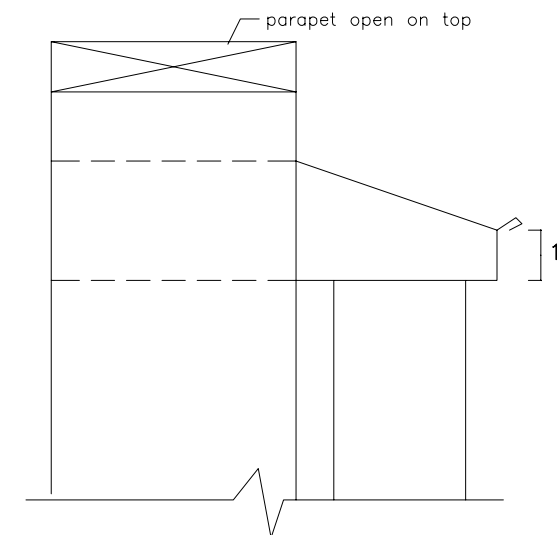
Structural Down Pipes



Typical Parapet Cap



Typical Scupper



Notes:
Scupper shall be 4 sided through parapet
Scupper shall be minimum 8" wide x 6" high

Note: Details are to be similar for inverted roof assemblies

AGASSIZ CONSULTING GROUP	
809 Pipeline Road, Winnipeg, Manitoba Phone: 697-8091 Fax: 697-8039	
Project:	Kirkfield/Westwood CC 165 Sansome Avenue Winnipeg, MB
Date:	April 26, 2006
Drawing No.	D-1
File no:	3391-06
Scale:	N.T.S.