

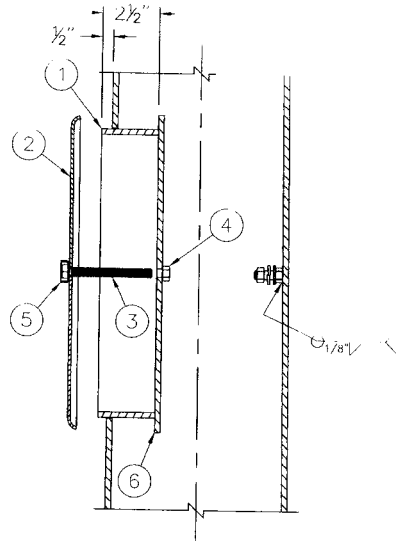
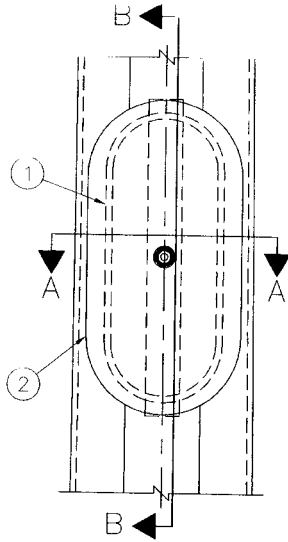
ITEM No.	No. REQ'D	DESCRIPTION	MATERIAL	DWG No.
1	1	HANDHOLE COVER 2 1/2" WIDE	3/8 PL. G40.21 50W	
2	1	HANDHOLE COVER 8 1/2" x 13 3/4"	11 GA. A570 GR.40	
3	1	BOLT 3/8"-UNC x 4" LONG	STAINLESS STEEL TYPE 316 FULLY THREADED	
4	1	NUT 3/8"-UNC	STAINLESS STEEL TYPE 316	
5	1	CUP WASHER SUITABLE FOR 3/8" BOLT	16 GA. ALUMINUM	
6	1	CLAMP BAR 1 3/4" x 14" LONG	1/4" PL. G40.21 44W	

FINISH:

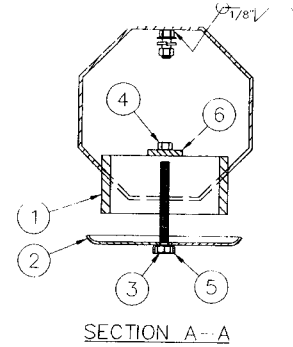
HOT DIP GALVANIZE COVER AND CLAMP BAR TO CSA STANDARD G164-M92 TO NET MINIMUM RETENTION OF 600 g/m². ALL AREAS OF DAMAGED GALVANIZING SHALL BE REPAIRED WITH SELF FLUXING LOW TEMPERATURE ZINC BASED ALLOY ROD. USE OF SPRAY ON COATINGS IS NOT ACCEPTABLE.

NOTES:

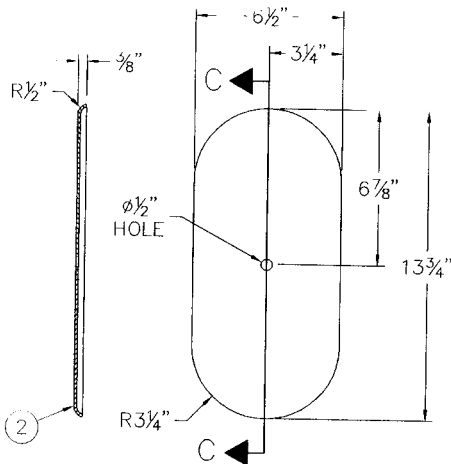
1. ALL EDGES OF STEEL COVER AND HANDHOLE RING TO BE GROUND SMOOTH.
2. ALL WELDING SHALL CONFORM TO CSA STANDARD W59. FABRICATOR SHALL BE FULLY APPROVED BY THE CANADIAN WELDING BUREAU AS PER CSA STANDARD W47.1.
3. RING MAY BE FORMED AS SHOWN OR FORMED IN TWO SYMMETRICAL HALVES AND WELDED AT TOP AND BOTTOM WITH COMPLETE PENETRATION WELDS.
4. TOLERANCES SHALL BE $\pm 1/16$ " UNLESS OTHERWISE NOTED.



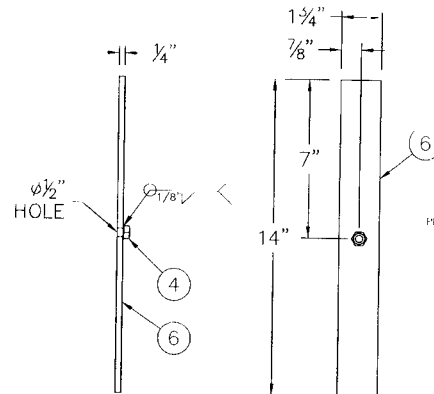
SECTION B-B



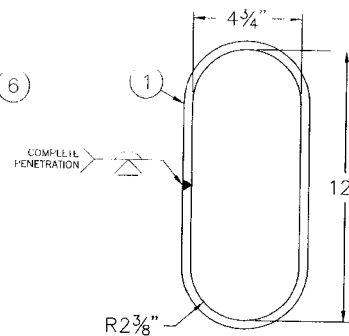
SECTION A-A



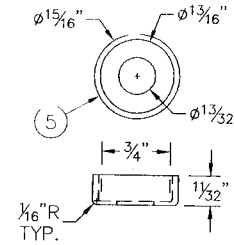
SECTION C-C COVER DETAIL



CLAMP BAR ASSEMBLY DETAIL



RING DETAIL
SEE NOTE 3



CUP WASHER DETAIL



1	FEB. 2 2005	REDRAWN	<i>Selma</i>
REV. No.	DATE	REVISIONS	APPROVED

THE CITY OF WINNIPEG
PUBLIC WORKS DEPARTMENT
TRANSPORTATION DIVISION

GES ENGINEERING INC.
CALGARY, AB. PHONE (403) 240-2921 FAX (403) 240-3713

4 3/4" x 12" (120mm x 305mm)
LOWER HANDHOLE AND COVER FOR TRAFFIC SIGNAL POLE

DESIGNED AND APPROVED <i>Selma</i> DATE Jan 12, 2005	DRAWN G.G. DATE DEC. 12, 2004	DWG No. ST-163	SCALE NTS	SHEET 1 OF 1	REV. No. 1
---	--	-------------------	--------------	-----------------	---------------