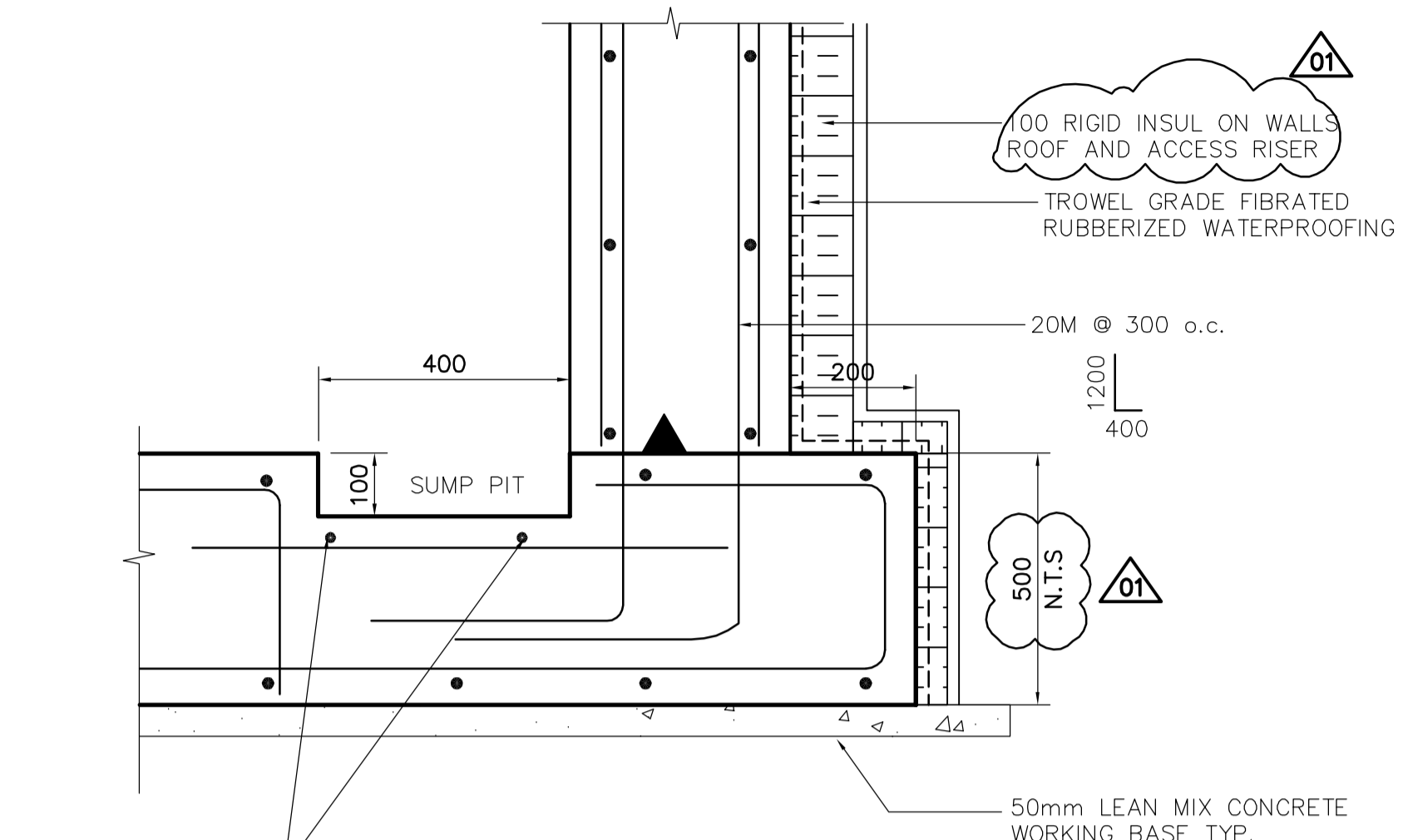
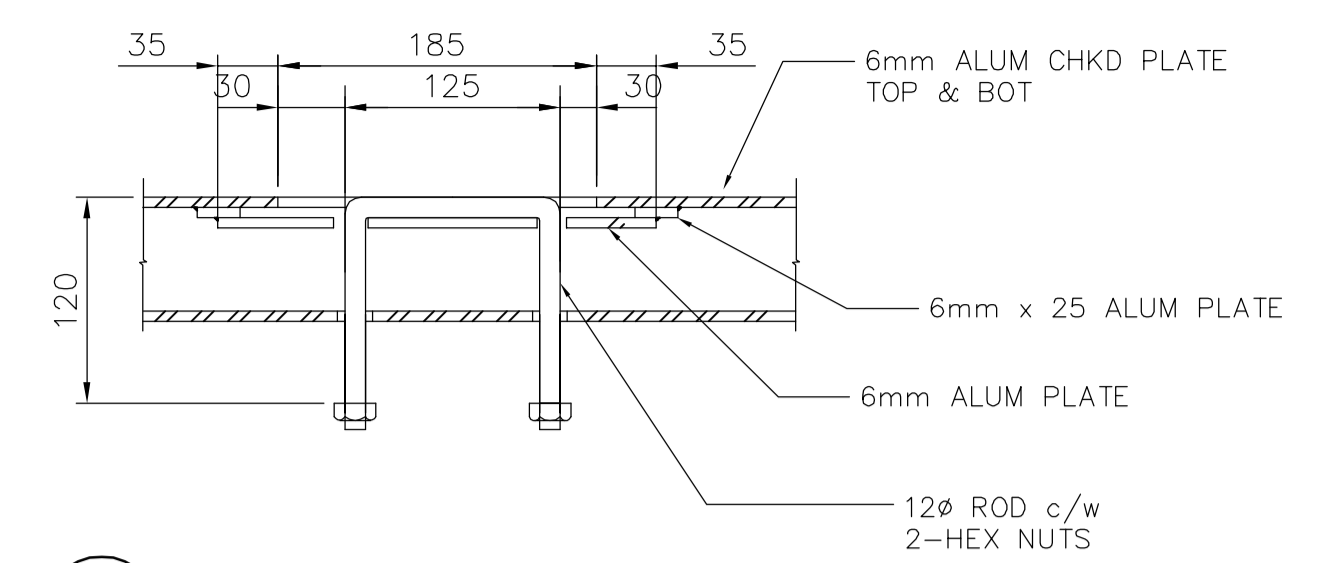


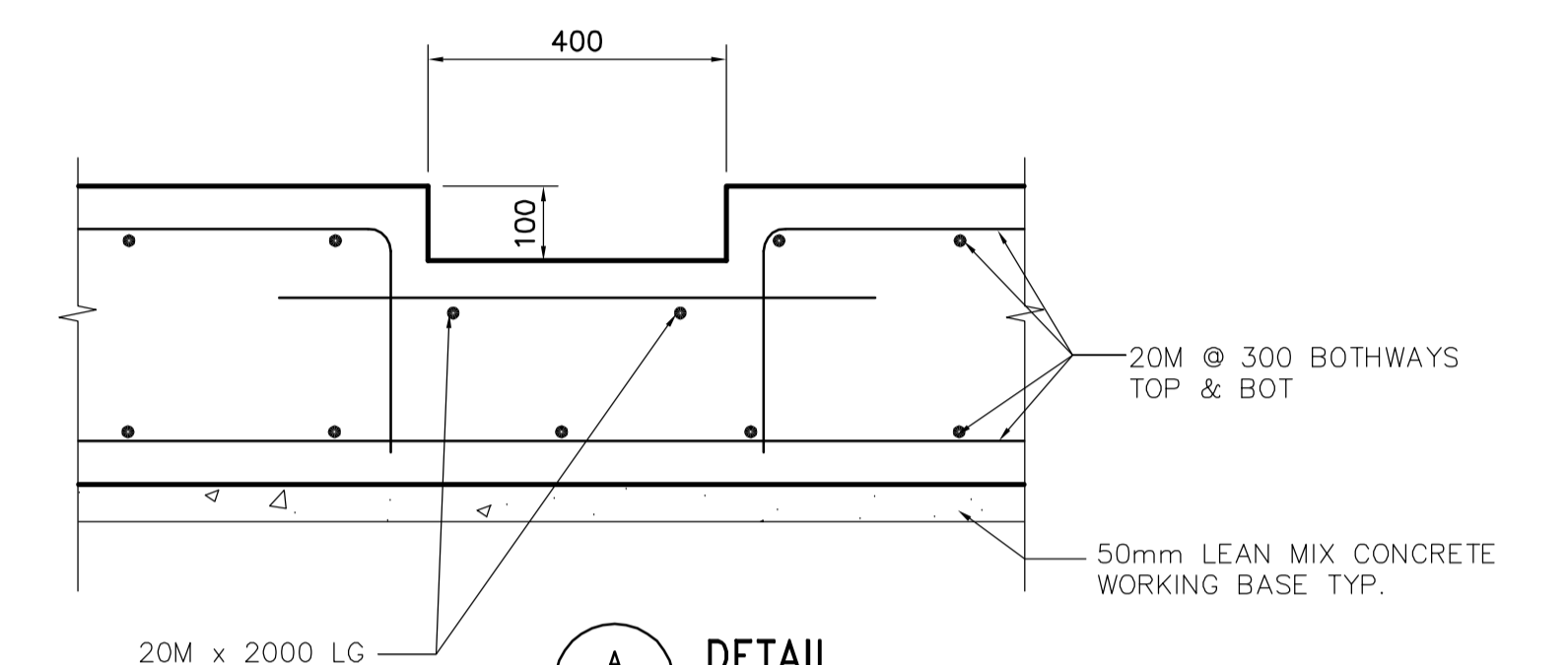
1 PLAN
WL-S0100 SCALE: 1:25



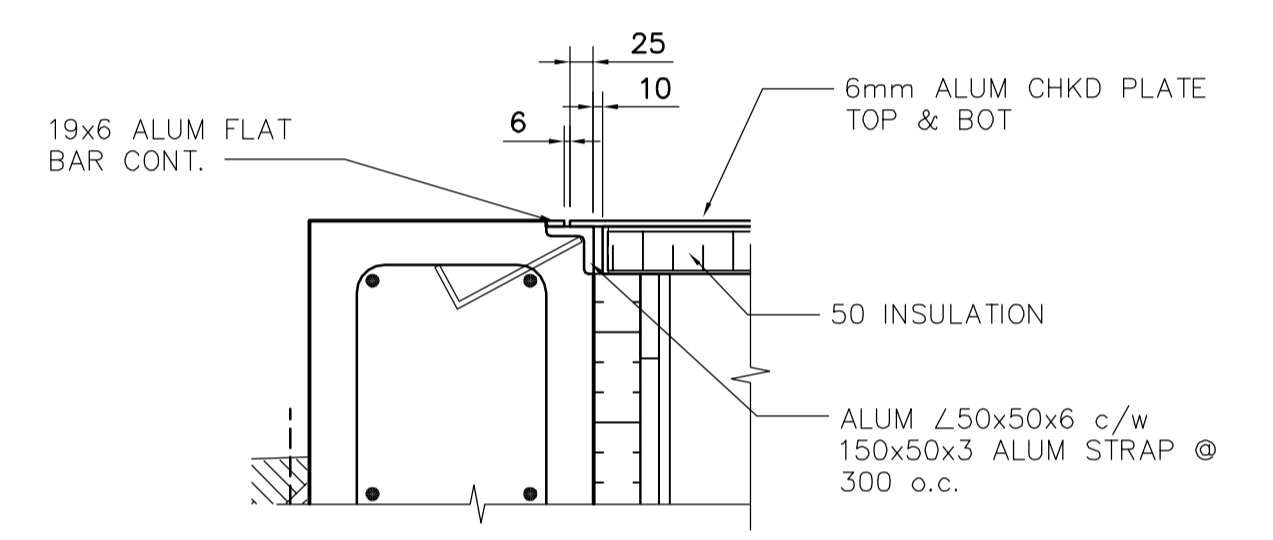
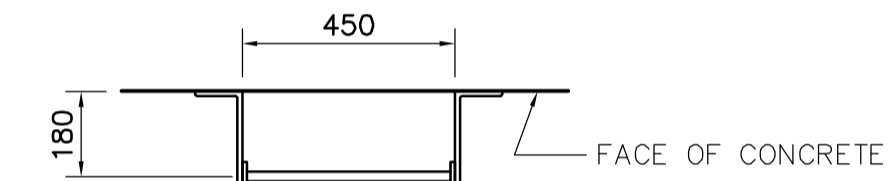
3 SECTION
WL-S0100 SCALE: 1:10



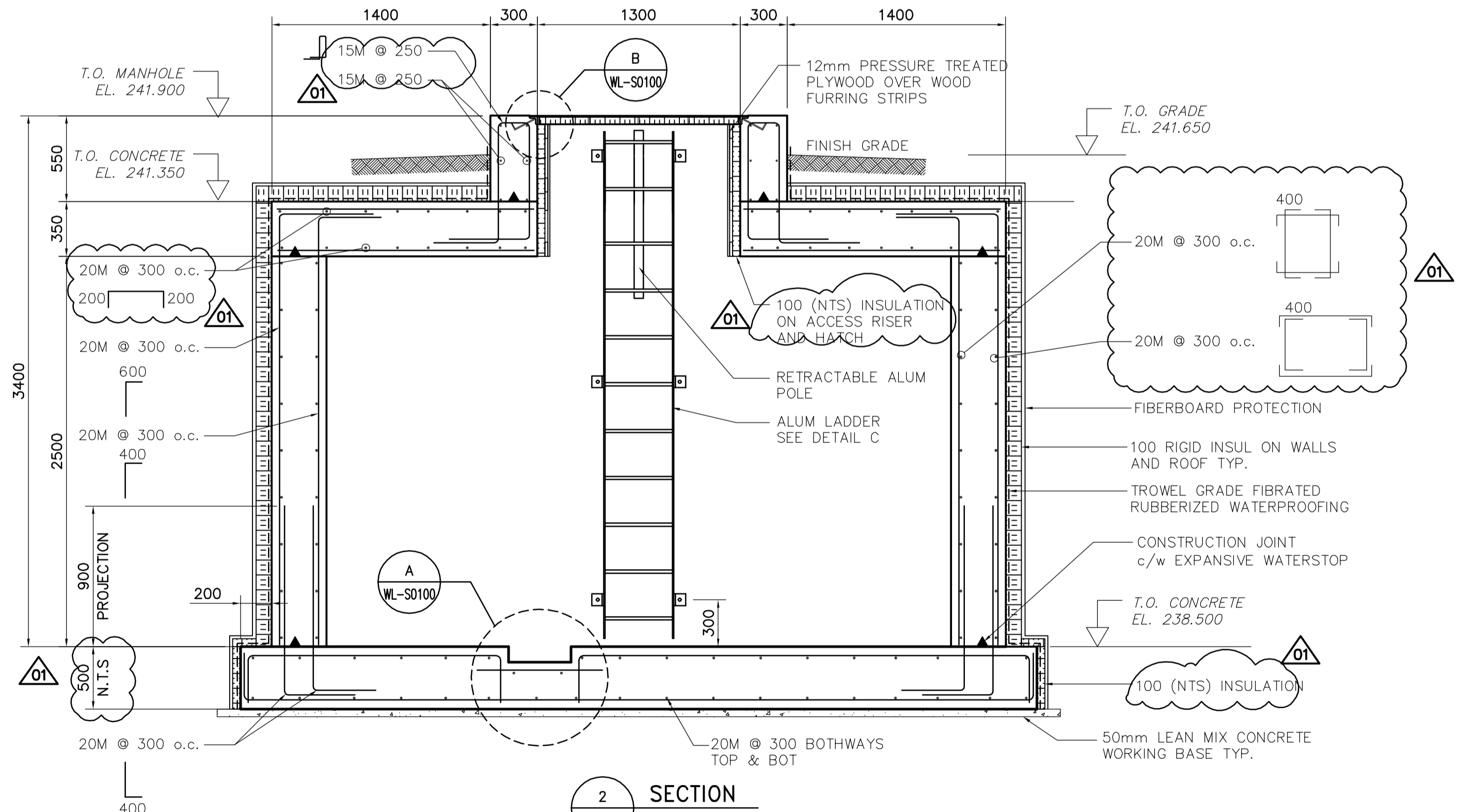
4 SECTION
WL-S0100 SCALE: NTS



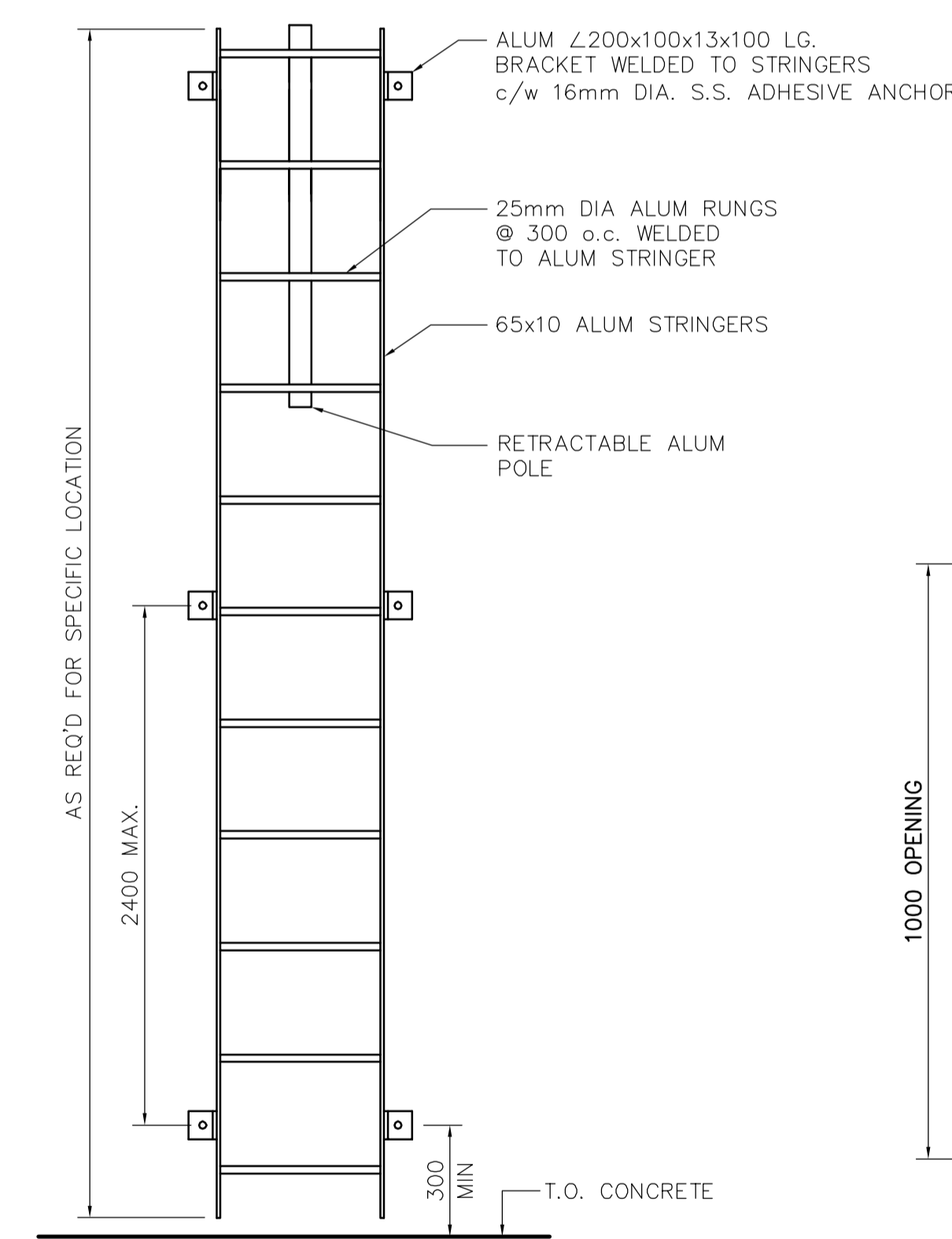
A DETAIL
WL-S0100 SCALE: 1:10



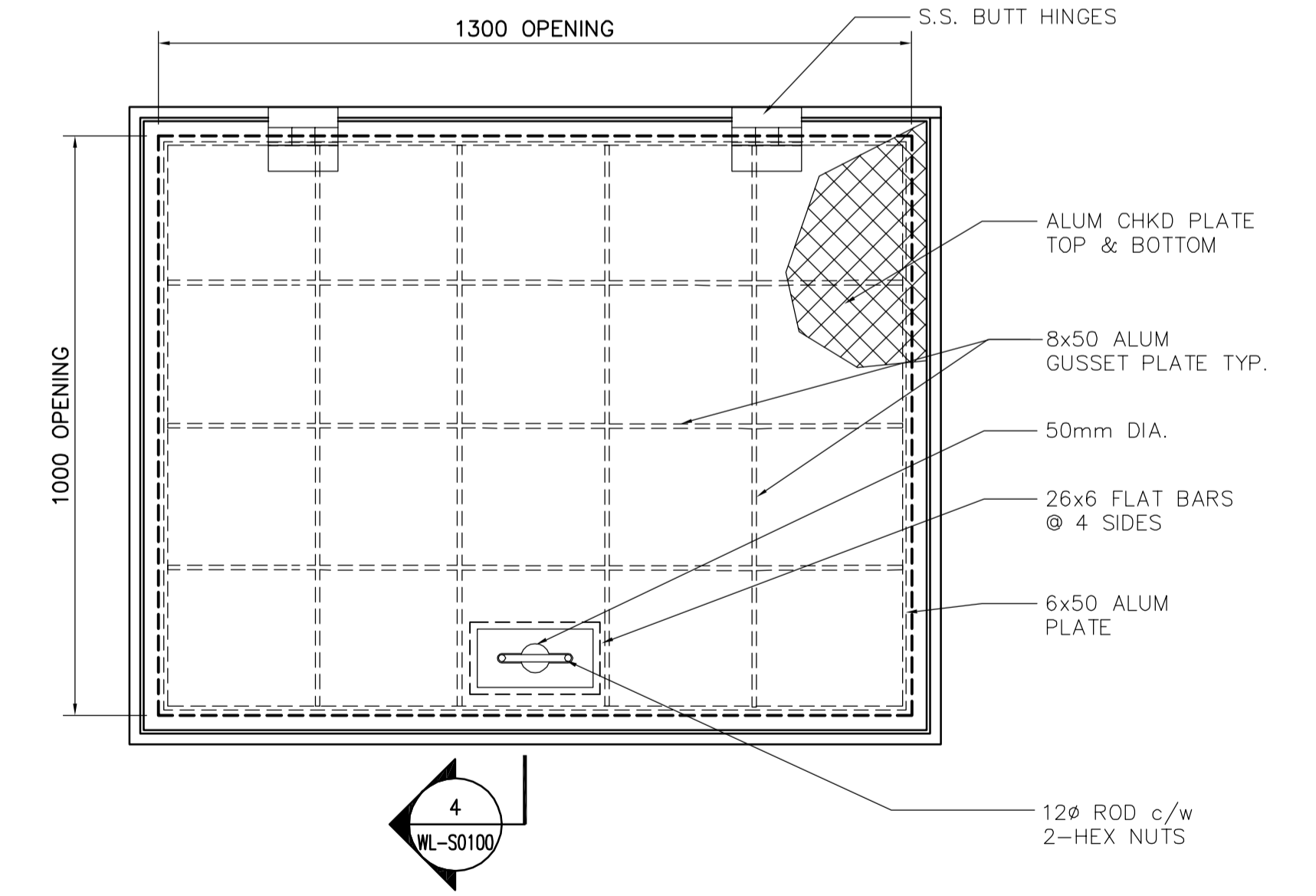
B DETAIL
WL-S0100 SCALE: N.T.S.



2 SECTION
WL-S0100 SCALE: 1:25



C TYP. ALUMINUM LADDER DETAIL
WL-S0100 SCALE: NTS



D ALUM COVER AND FRAME DETAIL
WL-S0100 SCALE: 1:10

APECM
Certificate of Authorization
Earth Tech Canada Inc.
No. 730 Expiry: April 30, 2006

NO.	REVISIONS	DATE	BY
01	34-2006 ADDENDUM 2	06/04/07	CMF
00	ISSUED FOR TENDER	06/03/07	WDB

 Frederickson Cooper ARCHITECTS		 A Tyco International Ltd. Company	
DESIGNED BY	FK	CHECKED BY	MK
DRAWN BY	WDB	APPROVED BY	DJT
SCALE:	AS SHOWN	RELEASED FOR CONSTRUCTION BY:	RON SOROKOWSKI
DATE	2005/01/11	DATE	2006/03/07

ENGINEER'S SEAL
ORIGINAL SIGNED BY
M. KLASSEN
2006/03/07
CONSULTANT DRAWING NO.
WL-S0100

THE CITY OF WINNIPEG
WATER AND WASTE DEPARTMENT
ENGINEERING DIVISION

WATER TREATMENT PLANT
CONSTRUCTION OF DEWATERING CELLS

STRUCTURAL
METERING CHAMBER
PLANS, SECTIONS AND DETAILS

CITY FILE NUMBER
SHEET OF
CITY DRAWING NUMBER
1-0601L-A-S0100-001-010