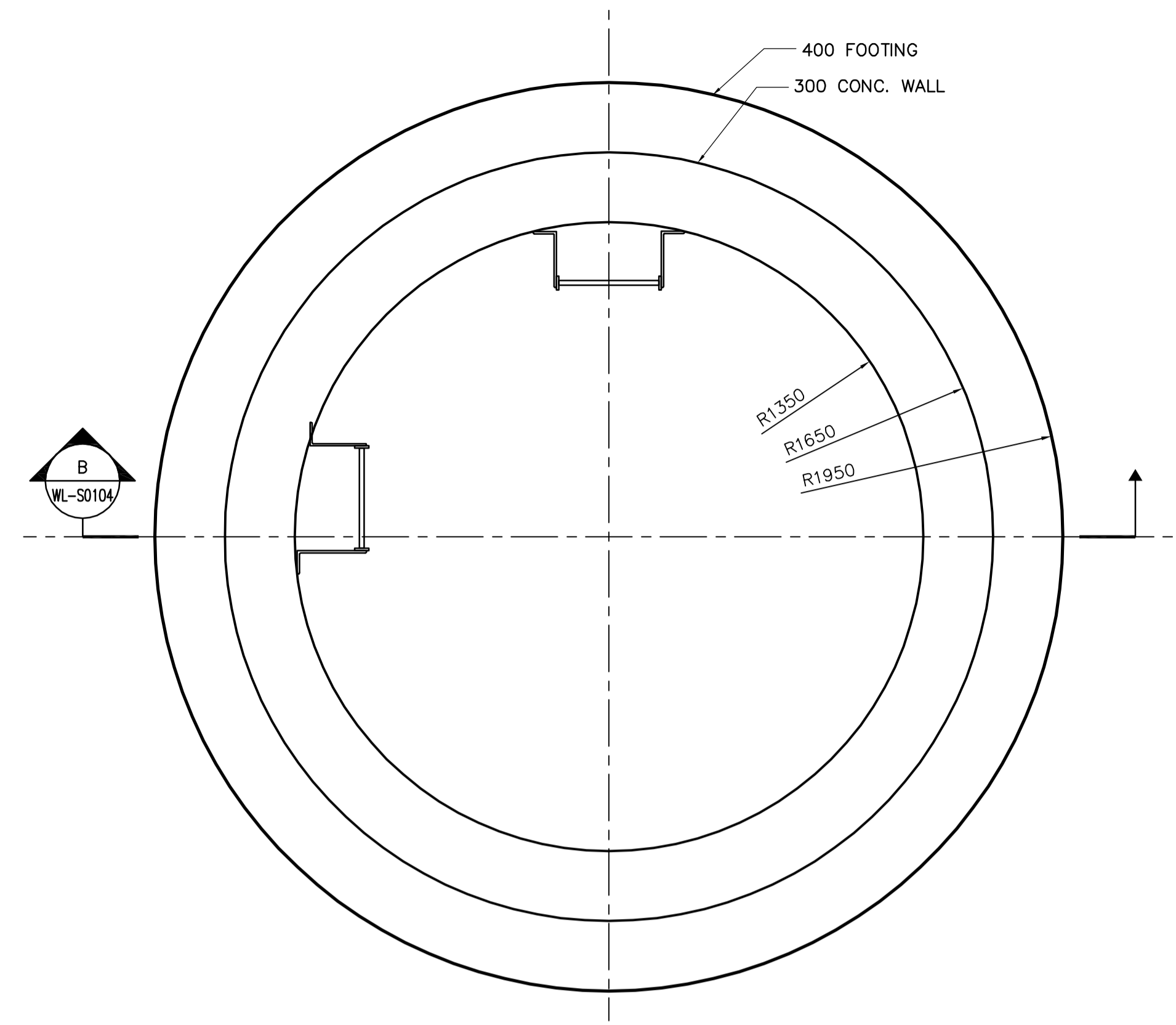
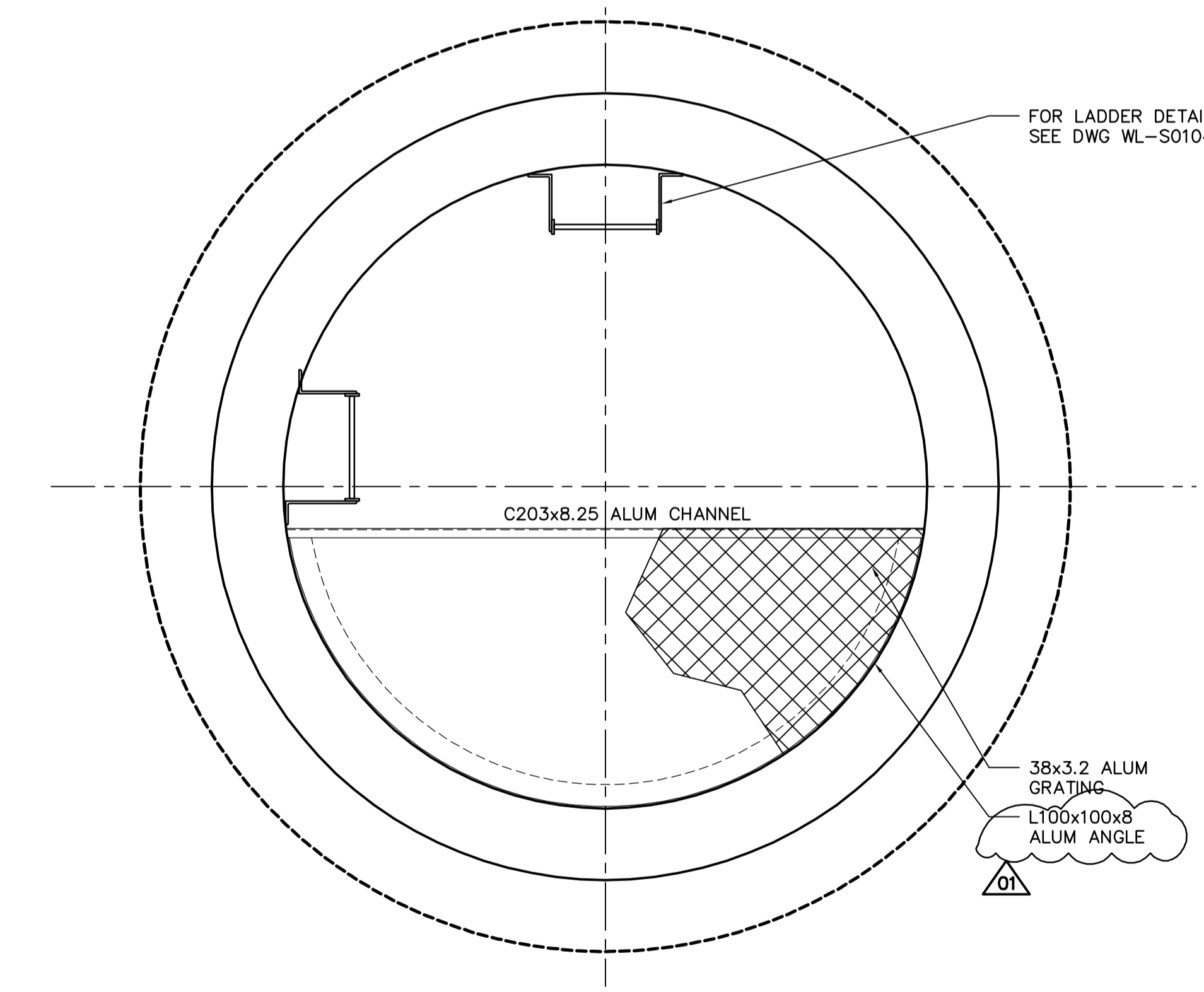


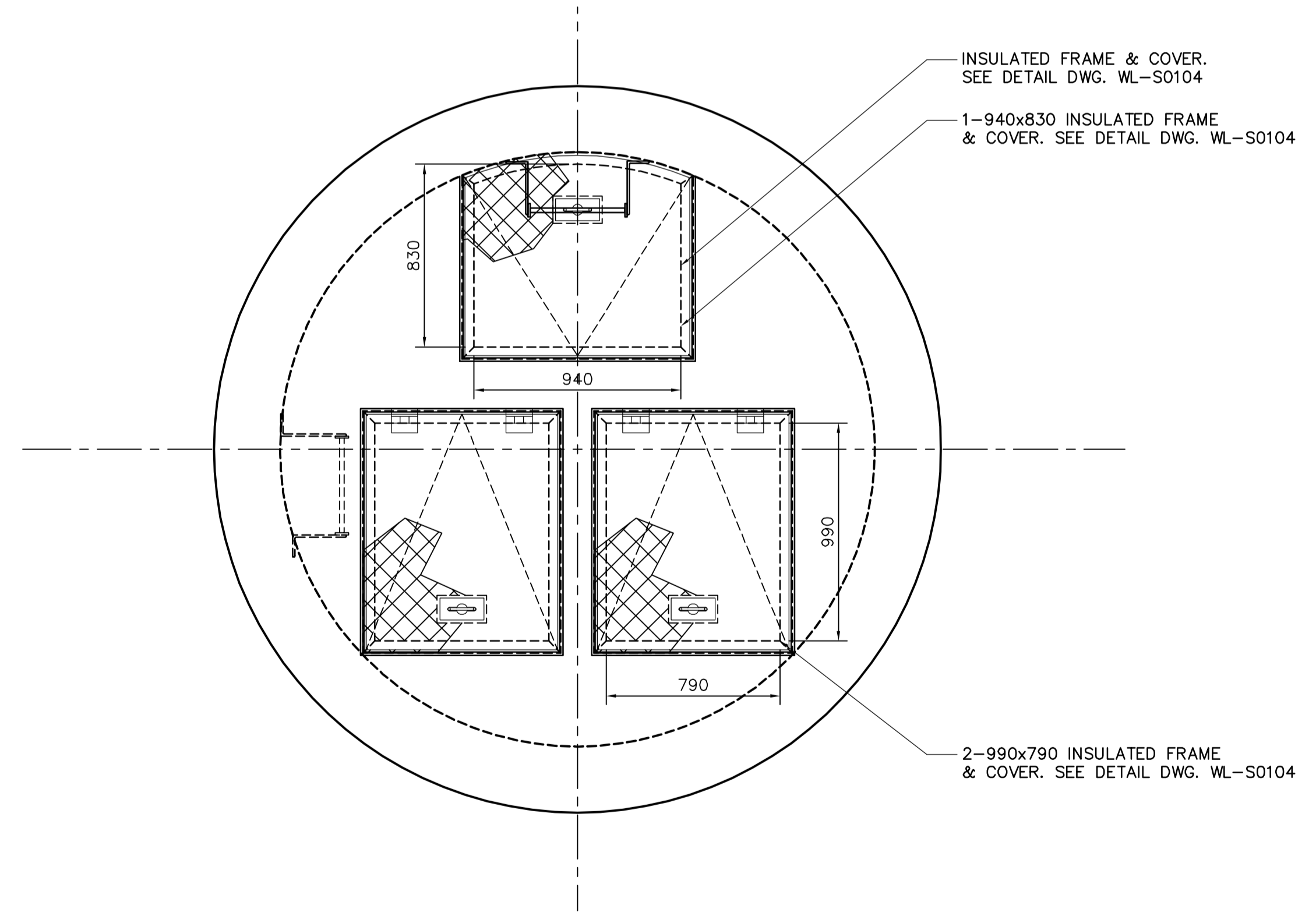
1 FOOTING PLAN AT EL. 235.000
WL-S0103 1:20



2 FOUNDATION PLAN
WL-S0103 1:20



3 PLATFORM PLAN
WL-S0103 1:20



4 COVER PLAN AT EL. 242.250
WL-S0103 1:20

01 6-600Ø C.I.P. PILES x 12m LG
4-20M VERT x 8m LG c/w 400
BEND 10M TIES @ 500 o/c.
FIRST 3 TIES @ 250

01 38x3.2 ALUM GRATING
L100x100x8 ALUM ANGLE

APEGM
Certificate of Authorization
Earth Tech Canada Inc.
No. 730 Expiry: April 30, 2006

B.M. ELEV.			
DESIGNED BY	FK	CHECKED BY	MK
DRAWN BY	WDB	APPROVED BY	DJT
SCALE:	AS NOTED	RELEASED FOR CONSTRUCTION BY:	RON SOROKOWSKI
NO.	REVISIONS	DATE	BY
01	34-2006 ADDENDUM 2	06/04/07	CMF
00	ISSUED FOR TENDER	06/03/07	WDB
DATE	2006/03/02	DATE	2006/03/07

CH2MHILL
Frederickson Cooper
ARCHITECTS

EarthTech
A Terra International Ltd. Company

ENGINEER'S SEAL
ORIGINAL SIGNED BY
M. KLASSEN
2006/03/07
CONSULTANT DRAWING NO.
WL-S0103

THE CITY OF WINNIPEG
WATER AND WASTE DEPARTMENT
ENGINEERING DIVISION

WATER TREATMENT PLANT
CONSTRUCTION OF DEWATERING CELLS

STRUCTURAL
DEWATERING PUMP STATION
FTG PLAN, FDN PLAN, PLATFORM & COVER PLAN

CITY FILE NUMBER
SHEET OF
CITY DRAWING NUMBER
1-0601L-A-S0103-001-010