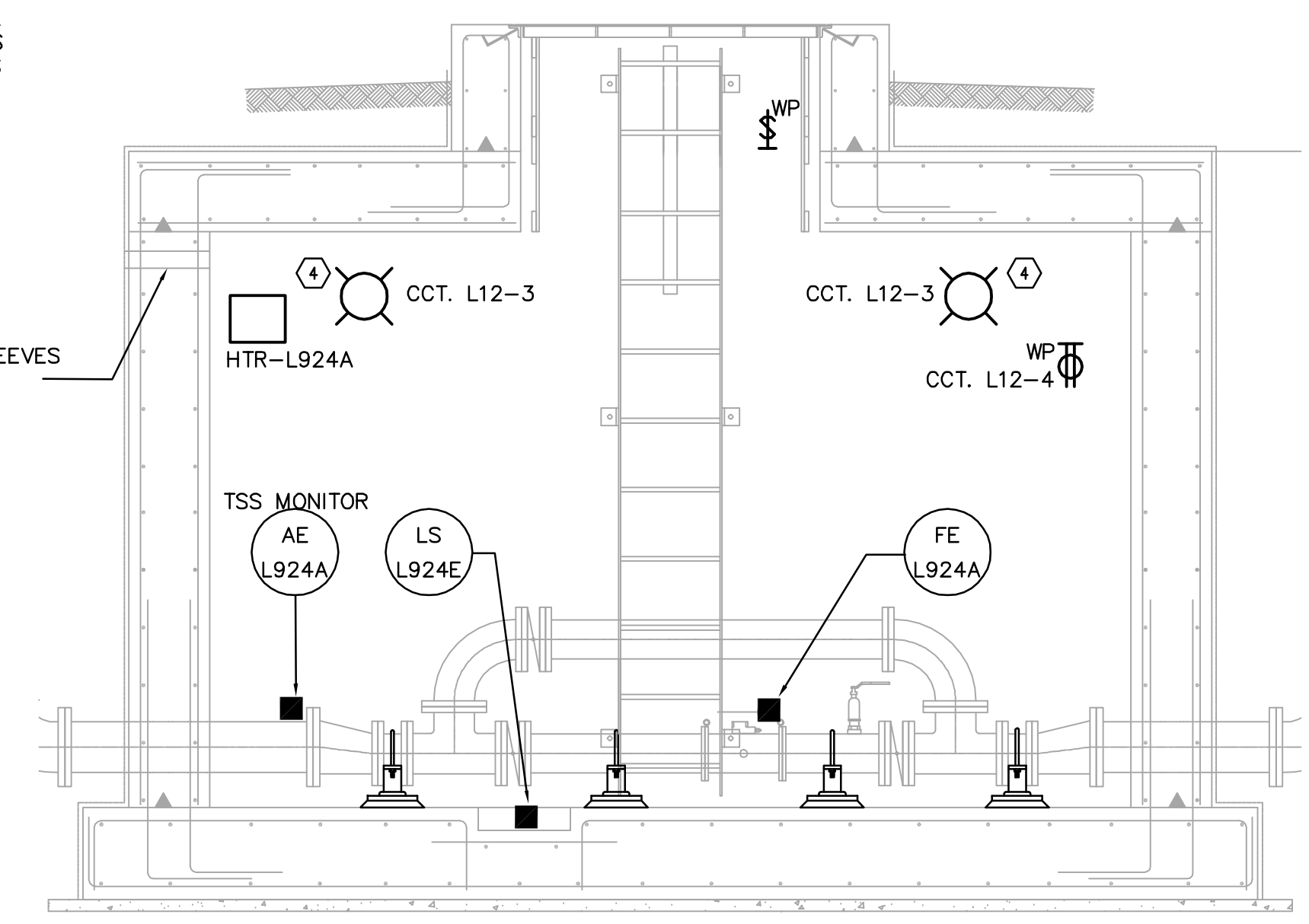
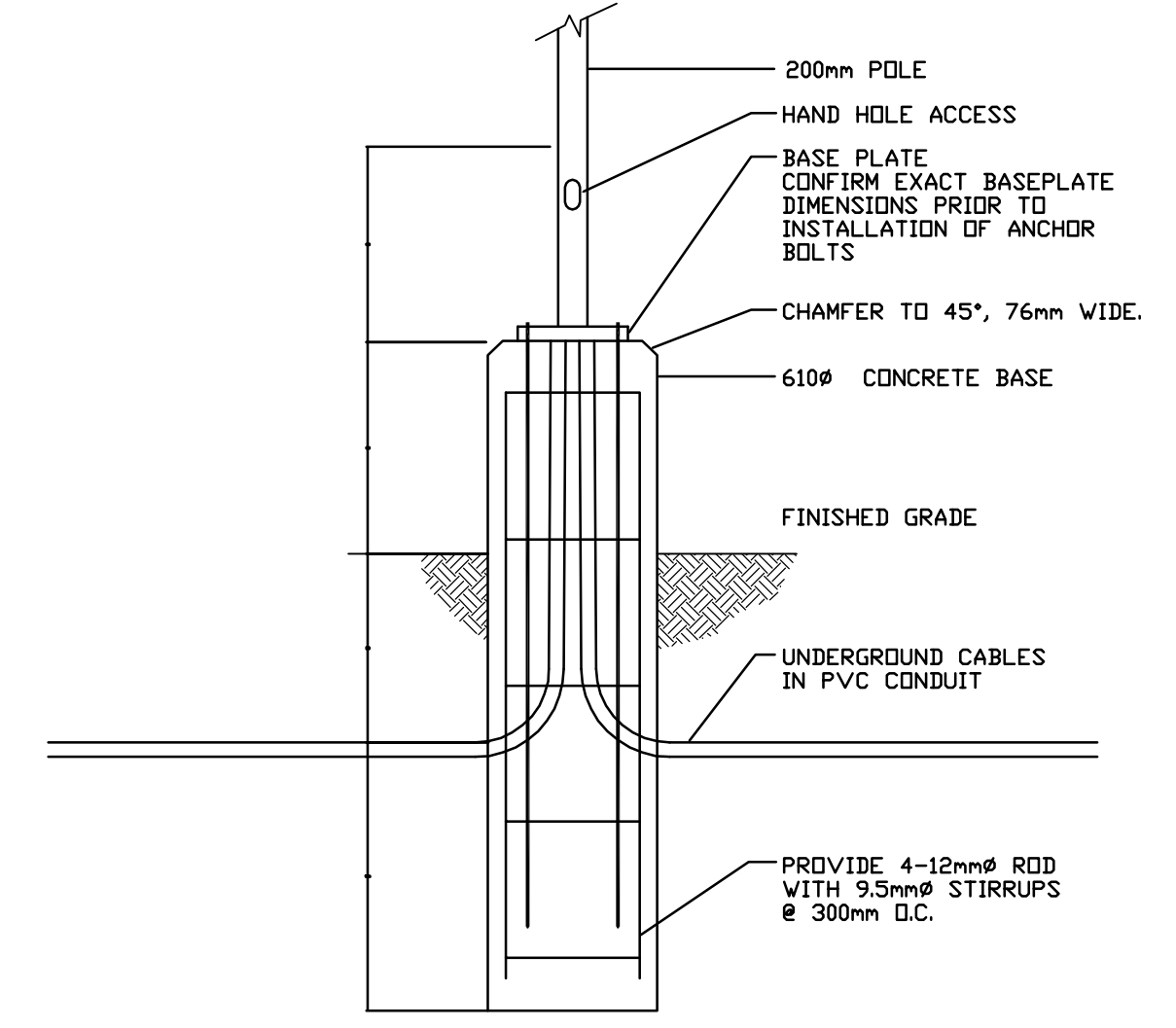


A DETAIL - DEWATERING PUMP STATION
E0110 N.T.S.
NOTE: CATEGORY 2, CLASS 1, ZONE 1 LOCATION

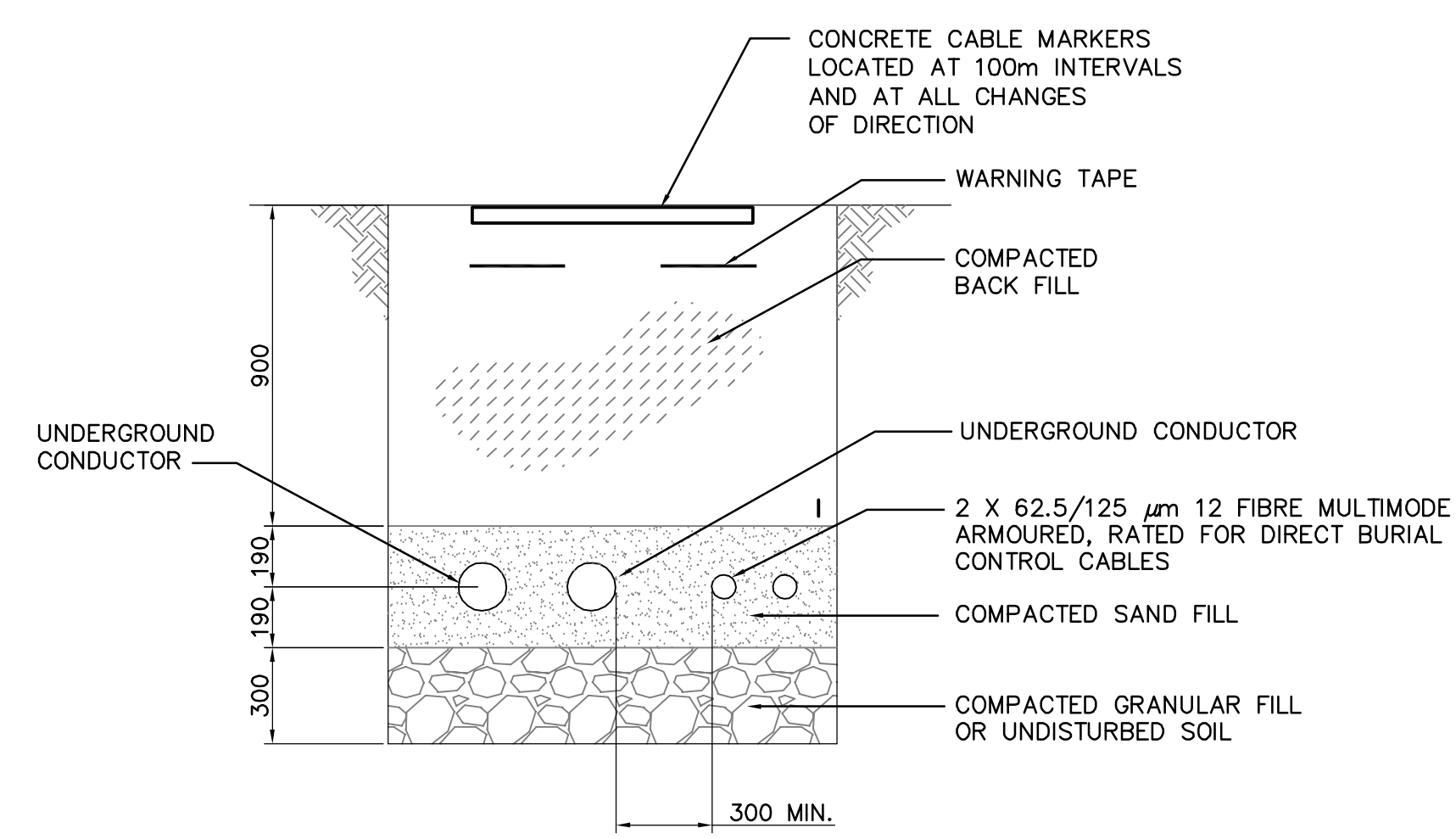
PIPE SLEEVES THROUGH WALL
2-50mm - CONTROL CABLES
2-75mm PUMP CONNECTIONS



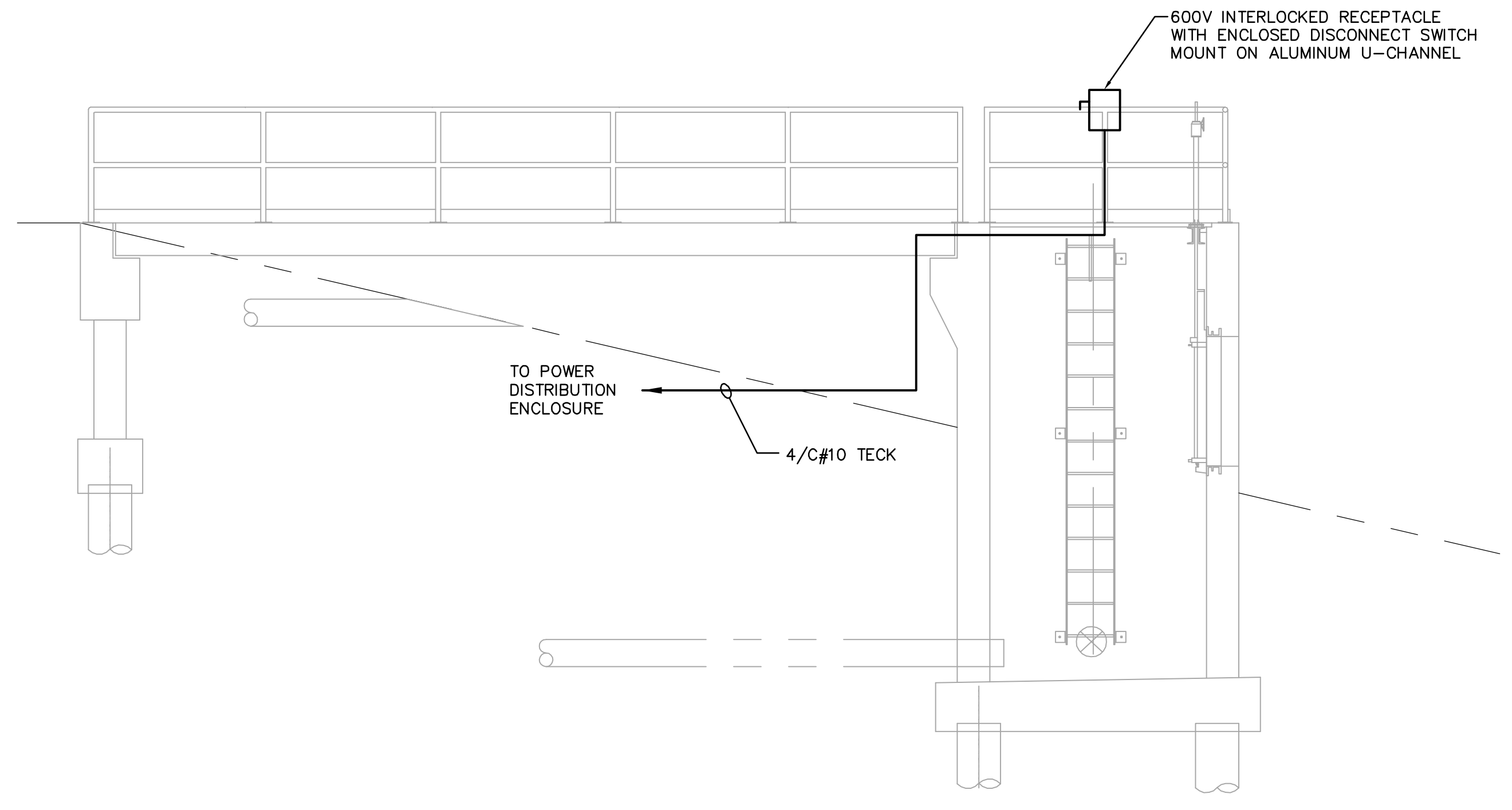
B DETAIL - METERING CHAMBER
E0110 N.T.S.
NOTE: CATEGORY 1 LOCATION



C DETAIL - POLE BASE
E0110 N.T.S.



D DETAIL - CABLE TRENCH
E0110 N.T.S.



E DETAIL - DECANT STRUCTURE
E0110 N.T.S.

APEGM
Certificate of Authorization
Earth Tech Canada Inc.
No. 730 Expiry: April 30, 2006

B.M. ELEV.			
DESIGNED BY	BLM	CHECKED BY	PS
DRAWN BY	ERC	APPROVED BY	DJT
SCALE:	AS SHOWN	RELEASED FOR CONSTRUCTION BY:	R. SOROKOWSKI
NO.	ISSUED FOR TENDER	DATE	06/03/07
NO.	REVISIONS	DATE	BY
		2006/01/03	

CH2M HILL
Frederickson Cooper ARCHITECTS

EarthTech
A Tyco International Ltd. Company

DESIGNED BY: BLM
DRAWN BY: ERC
SCALE: AS SHOWN

CHECKED BY: PS
APPROVED BY: DJT
RELEASED FOR CONSTRUCTION BY: R. SOROKOWSKI

DATE: 2006/01/03

ENGINEER'S SEAL
ORIGINAL SIGNED BY
B.L. MOORE
2006/03/07
CONSULTANT DRAWING NO.
WL-E0111

THE CITY OF WINNIPEG
WATER AND WASTE DEPARTMENT
ENGINEERING DIVISION

WATER TREATMENT PLANT
CONSTRUCTION OF DEWATERING CELLS

ELECTRICAL
DECANT SYSTEMS
SECTIONS AND DETAILS

CITY FILE NUMBER
SHEET OF
CITY DRAWING NUMBER
1-0601L-A-E0111-001-000