

FIG. 1 FLOOR MOUNT

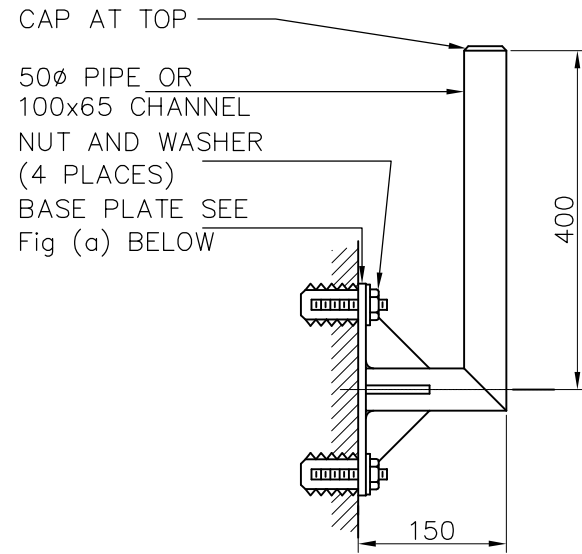


FIG. 2 WALL MOUNT

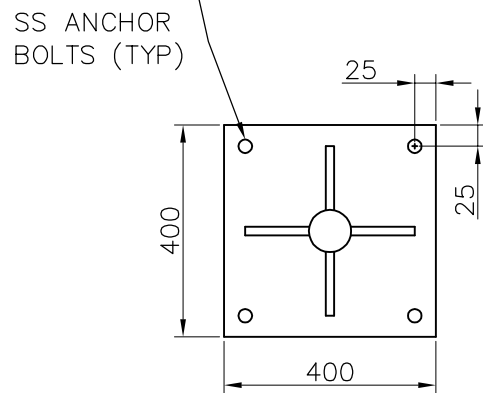


FIG. (a) MOUNTING PLATE

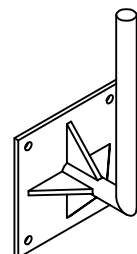


FIG. (b) WALL MOUNT EXTERNAL VIEW

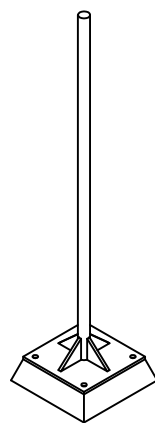


FIG. (c) FLOOR MOUNT EXTERNAL VIEW

- NOTES:**
- 1) PIPE AND MOUNTING PLATE COPPER FREE ALUMINUM, OR GALVANIZED STEEL.
  - 2) TOP OF PIPE TO BE 1400 (NOMINAL) ABOVE SERVICE FLOOR.
  - 3) GROUTING TO BE POURED ONCE FLOOR MOUNT STAND PLUMBED FASTENED IN PLACE.

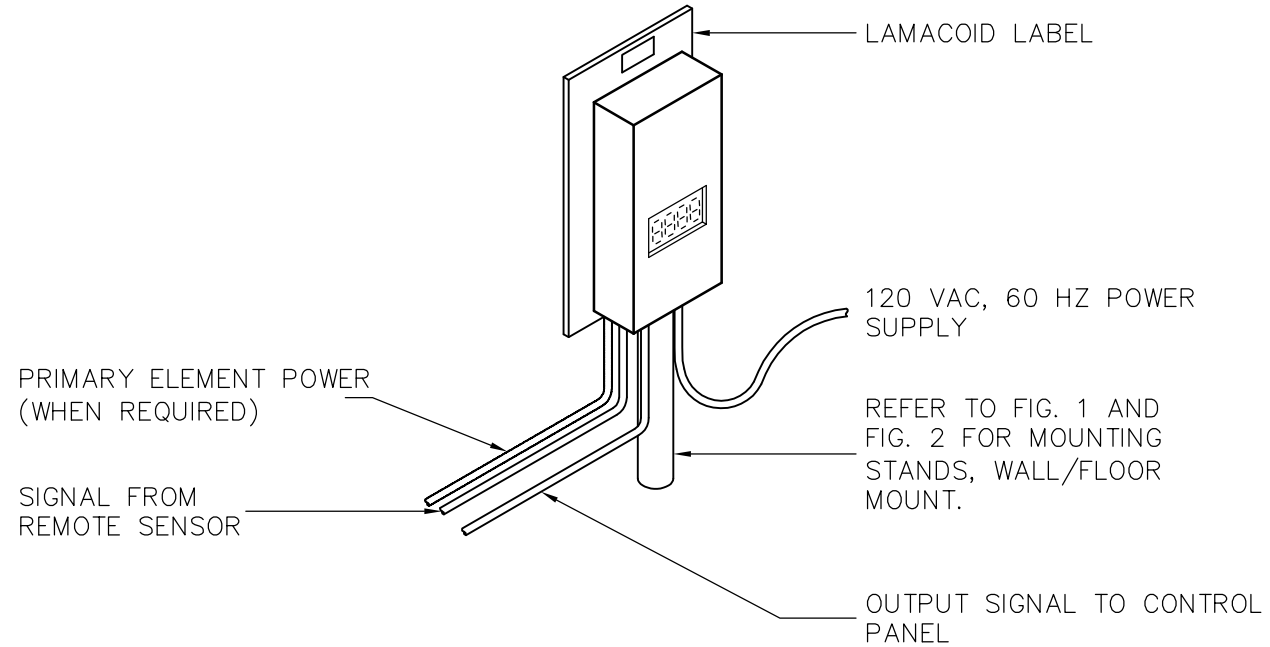


FIG. 3 REMOTE INDICATING TRANSMITTER (SELF POWERED)

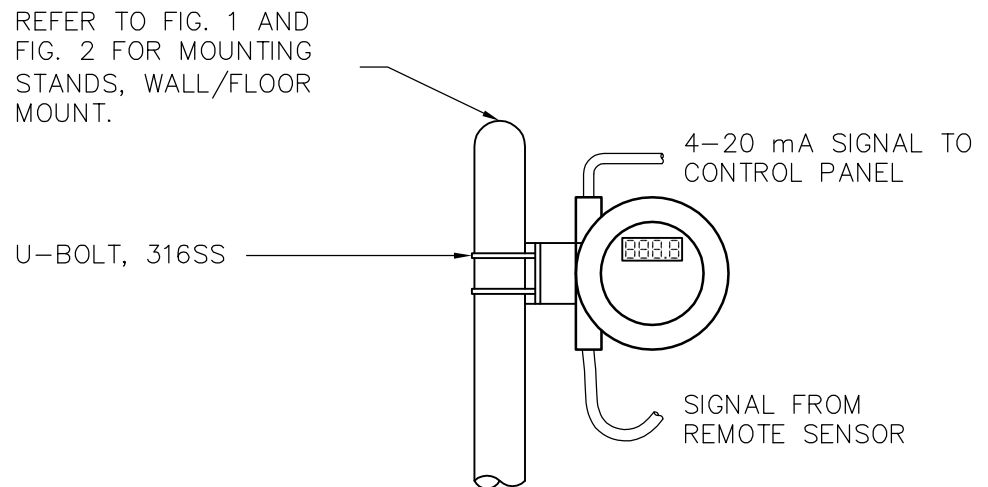


FIG. 4 REMOTE INDICATING TRANSMITTER (LOOP POWERED)

**APEGA**  
 Certificate of Authorization  
 Earth Tech Canada Inc.  
 No. 730 Expiry: April 30, 2007

NO.	REVISIONS	DATE	BY
05	35-2006 ISSUED FOR TENDER	07/03/19	LAE
04	792-2006 ISSUED FOR TENDER	07/02/15	LAE
03	ISSUED FOR CONSTRUCTION	06/12/01	SRP
02	498-2006 ISSUED FOR TENDER	06/09/05	LAE
01	ISSUED FOR CONSTRUCTION	06/07/28	JBC
00	ISSUED FOR TENDER	06/03/29	GLG

DESIGNED BY	CHECKED BY	APPROVED BY	RELEASED FOR CONSTRUCTION BY:
NT	SWT	AHL	R. SOROKOWSKI
GLG			
NTS			

DATE 2006/01/17 DATE 2006/03/29

ENGINEER'S SEAL  
 ORIGINAL SIGNED BY  
 S.W. TORMEY  
 2006/03/29  
 CONSULTANT DRAWING NO.  
 WB-A0402

**THE CITY OF WINNIPEG**  
 WATER AND WASTE DEPARTMENT  
 ENGINEERING DIVISION

WATER TREATMENT PLANT  
 MAIN BUILDING  
 MECHANICAL AND ELECTRICAL

AUTOMATION / I&C  
 LOOP POWERED REMOTE INDICATING TRANSMITTER  
 INSTALLATION DETAILS

CITY FILE NUMBER  
 SHEET OF  
 CITY DRAWING NUMBER  
 1-0601B-D-A0402-001-05B