

FIG. 1 DIRTY SERVICE DIAPHRAGM SEAL

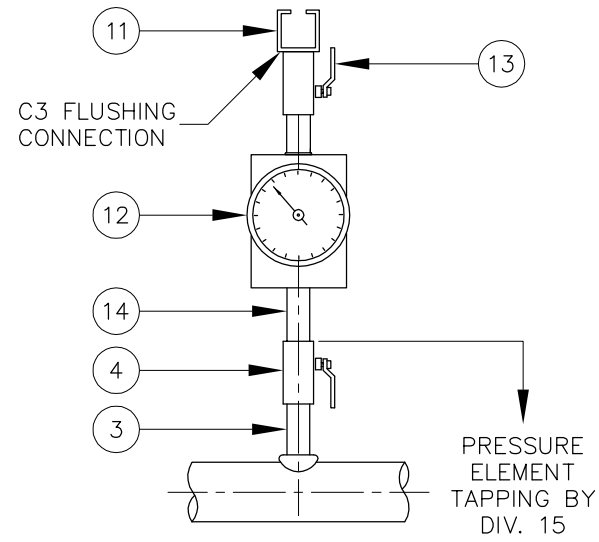


FIG. 2 DIRTY SERVICE IN-LINE SENSOR

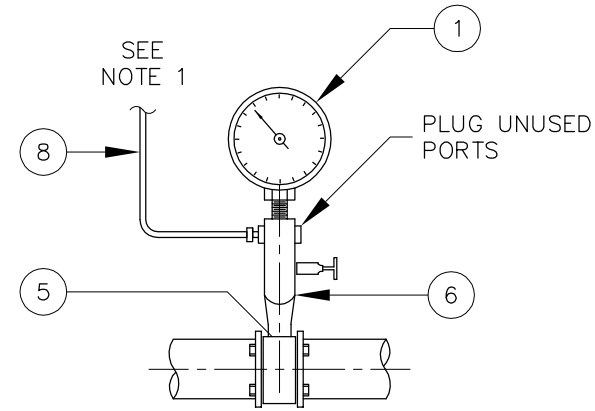


FIG. 3 DIRTY SERVICE IN-LINE SENSOR

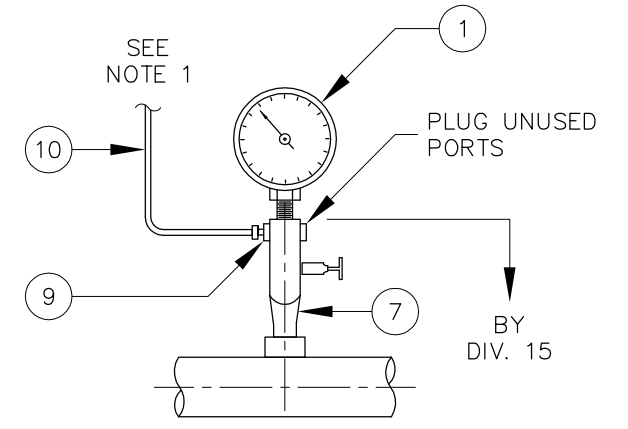


FIG. 4 CLEAN SERVICE

NOTES:

- 1) FOR REMOTE MOUNTING OF PRESSURE SWITCHES OR OTHER GAUGES (FIG. 4 ONLY) WHEN REQUIRED BY APPLICATION, REFER TO DRAWING NO. WB-A0405.
- 2) INSTALL A PRESSURE SNUBBER ON EVERY INSTALLATION THAT IS ON THE DISCHARGE OF A PUMP AND ANYWHERE THAT RAPID PRESSURE FLUCTUATIONS MAY OCCUR
- 3) SUPPLIED AND INSTALLED BY DIVISION 15. PROVIDE A BUSHING OR REDUCER TO MEET SIZE REQUIREMENTS.

ITEM	DESCRIPTION
1	PRESSURE GAUGE, 12mm (NPT), BY SECTION 17212
2	DIAPHRAGM SEAL, ASHCROFT TYPE 101, C/W FLUSHING AND FILL CONN.
3	LONG NIPPLE, 50 mm LONG, SEE NOTE 3
4	BALL VALVE – BV02, 20mm DIA, REFER TO DIVISION 15, SEE NOTE 3
5	THRU IN-LINE PRESSURE SENSOR, 12mm (NPT) CONN., BY SECTION 17701
6	MULTI-PORT GAUGE VALVE, STRAIGHT THROUGH TYPE, 12mm x 12mm (NPT), SEE NOTE 3
7	MULTI-PORT GAUGE VALVE, STRAIGHT THROUGH TYPE, 12mm x 20mm (NPT), SEE NOTE 3
8	CAPILLARY TUBING, C/W 316SST ARMoured SHEATH
9	MALE CONNECTOR, 12mm x 10mm (NPT)
10	TUBING, 10mm DIA, 316SST
11	QUICK DISCONNECT, 25mm, REFER TO DIVISION 15
12	IN-LINE PRESSURE SENSOR, RED VALVE TYPE 42S, C/W SENSING LIQUID & GAUGE
13	BALL VALVE – BV01, 25mm DIA, REFER TO DIVISION 15
14	LONG NIPPLE, 50mm LONG

<p>APEGM Certificate of Authorization Earth Tech Canada Inc. No. 730 Expiry: April 30, 2007</p>	B.M. ELEV.	<p>CH2M HILL Frederickson Cooper ARCHITECTS</p>	<p>EarthTech A Tyco International Ltd. Company</p>	ENGINEER'S SEAL	<p>THE CITY OF WINNIPEG WATER AND WASTE DEPARTMENT ENGINEERING DIVISION</p>
	DESIGNED BY: NT	CHECKED BY: SWT	ORIGINAL SIGNED BY: S.W. TORMEY	2006/03/29	
	DRAWN BY: GLG	APPROVED BY: AHL	WATER TREATMENT PLANT MAIN BUILDING MECHANICAL AND ELECTRICAL	CITY FILE NUMBER	
	SCALE: NTS	RELEASED FOR CONSTRUCTION BY: R. SOROKOWSKI	AUTOMATION / I&C PRESSURE GAUGE INSTALLATION DETAILS	SHEET OF	
NO. REVISIONS	DATE BY	DATE 2006/01/03	DATE 2006/03/29	CONSULTANT DRAWING NO. WB-A0404	CITY DRAWING NUMBER 1-0601B-D-A0404-001-05B