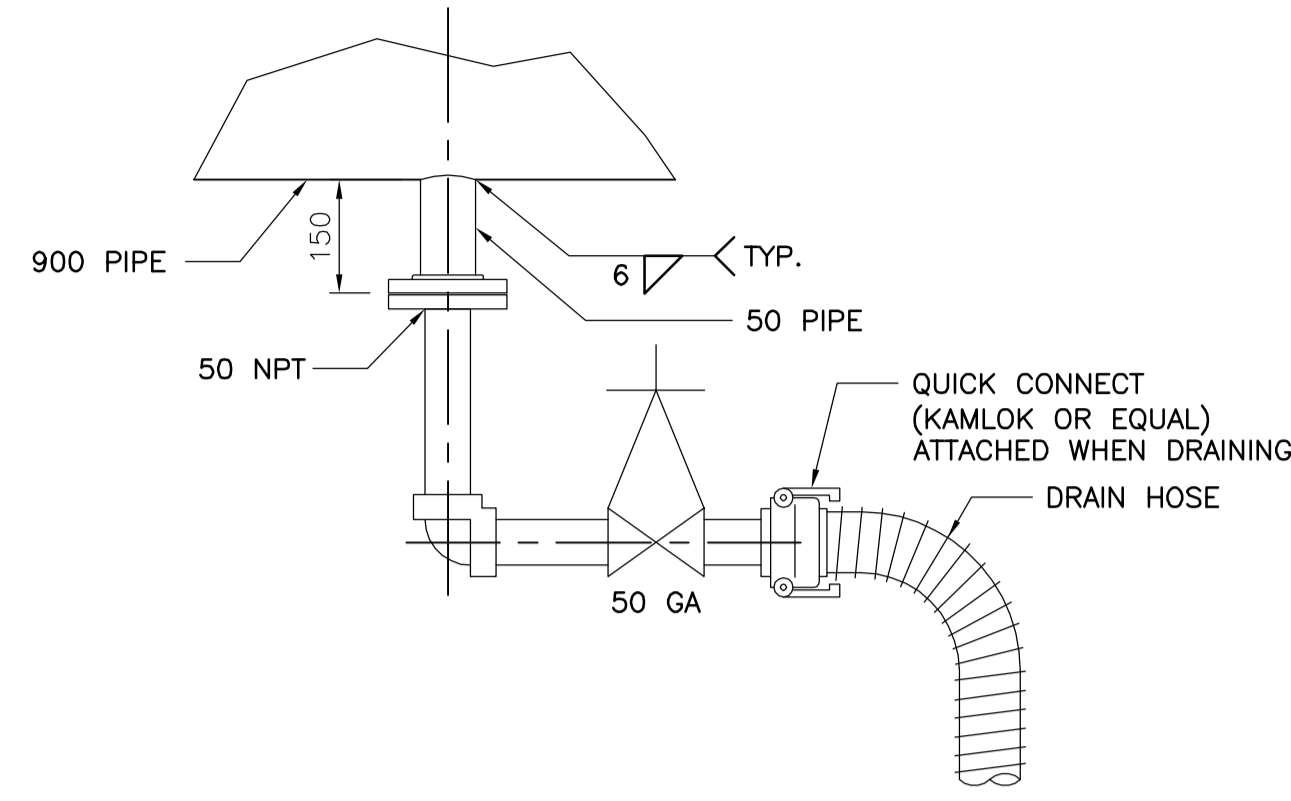


ELEVATION

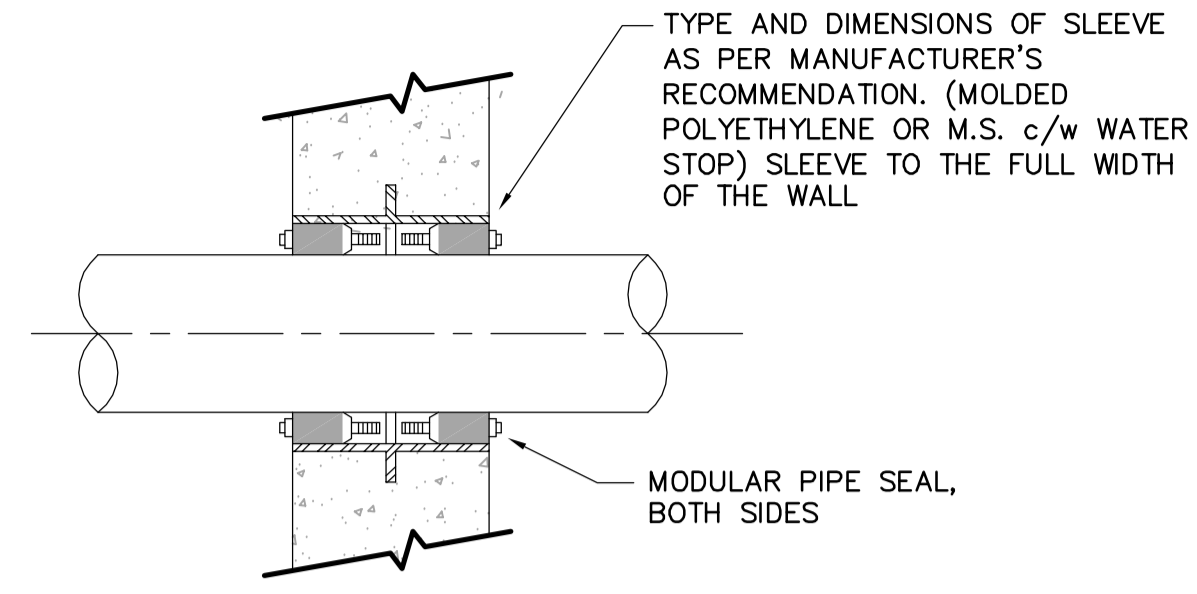
1 HIGH VENT POINT (H.V.P.)
SCALE 1:10



ELEVATION

NOTE: PROVIDE 3 HOSES GOODALL
TYPE V136 OR EQUAL
1-15m LG.
1-22m LG.
1-35m LG.

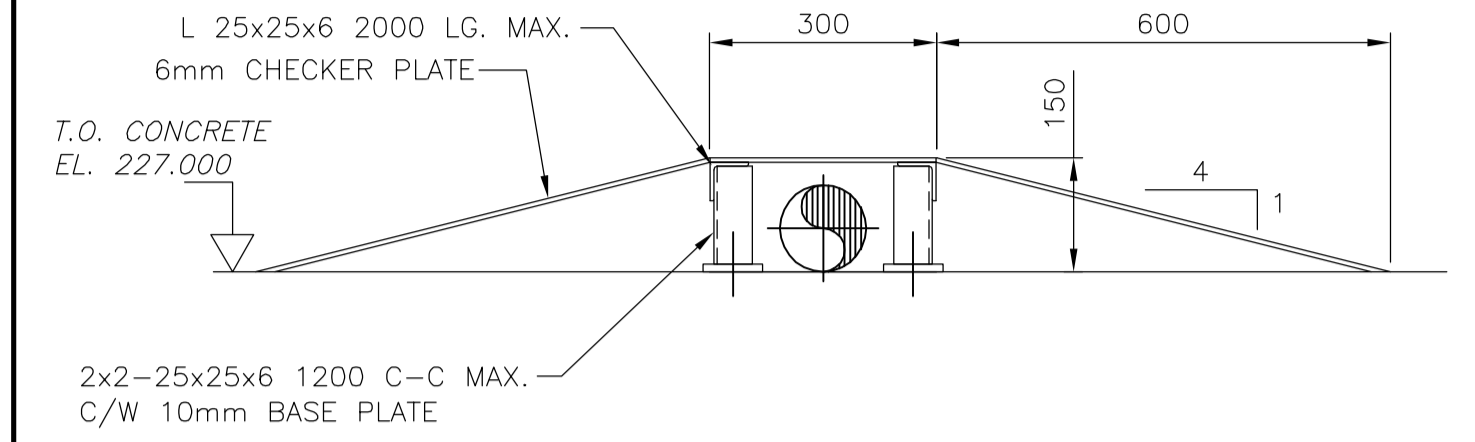
2 DRAIN (DRN.)
SCALE 1:10



APPLICATION NOTES

1. LIQUID SIDE MUST PASS LEAKAGE TEST UNDER PRESSURE TO WHICH STRUCTURE IS SUBJECTED
2. FOR PENETRATIONS THROUGH EXISTING STRUCTURES CORE AND INSTALL SEAL PER MANUFACTURER'S SPEC'S (NO SLEEVE REQUIRED)
3. SUPPORT PIPE ON BOTH SIDES OF WALL PENETRATION.
4. USE STAINLESS STEEL HARDWARE.

3 TYPICAL WALL AND FLOOR PENETRATION
SCALE N.T.S.



4 100 PVC DRAIN PIPE WALK OVER
SCALE 1:10

NO.	ISSUED FOR TENDER	DATE	BY
00	ISSUED FOR TENDER	07/03/19	SRP
NO.	REVISIONS	DATE	BY

DESIGNED BY	SBW	CHECKED BY	NT
DRAWN BY	JBC	APPROVED BY	AHL
SCALE:	AS NOTED	RELEASED FOR CONSTRUCTION BY:	R. SOROKOWSKI
DATE	2006/02/06	DATE	2007/03/19

ENGINEER'S SEAL
ORIGINAL SIGNED BY S.B.WILLIAMSON 2007/03/19
CONSULTANT DRAWING NO. WD-M0401

THE CITY OF WINNIPEG
WATER AND WASTE DEPARTMENT
ENGINEERING DIVISION

Winnipeg

WATER TREATMENT PLANT
DEACON BOOSTER PUMP STATION
UPGRADE

PROCESS MECHANICAL
MISCELLANEOUS DETAILS
SHEET 1

CITY FILE NUMBER
SHEET OF

CITY DRAWING NUMBER
1-0601D-A-M0401-001-000

APEGM
Certificate of Authorization
Earth Tech Canada Inc.
No. 730 Expiry: April 30, 2007

CH2MHILL
Frederickson Cooper
ARCHITECTS

EarthTech
A Tech International Ltd. Company