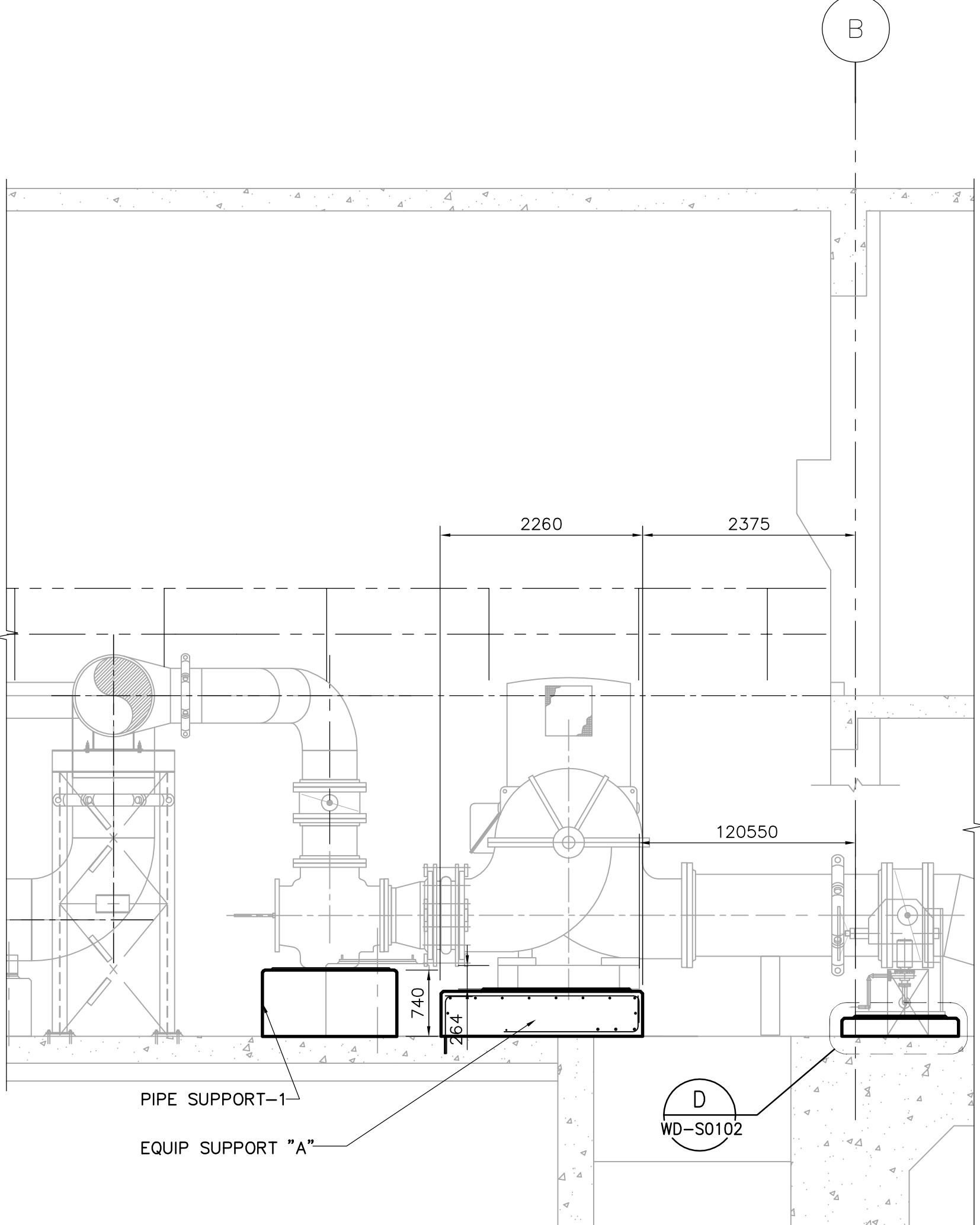
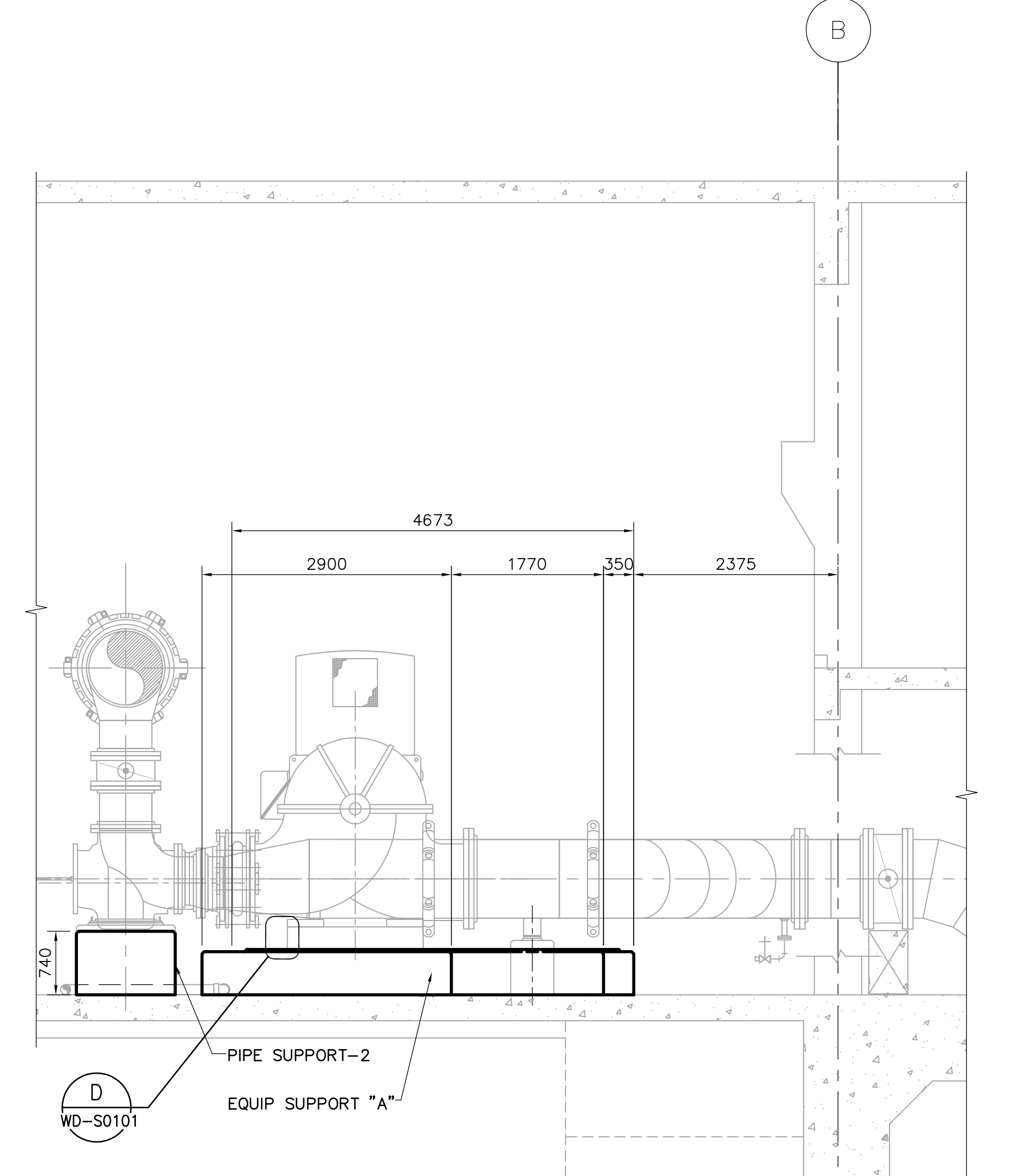


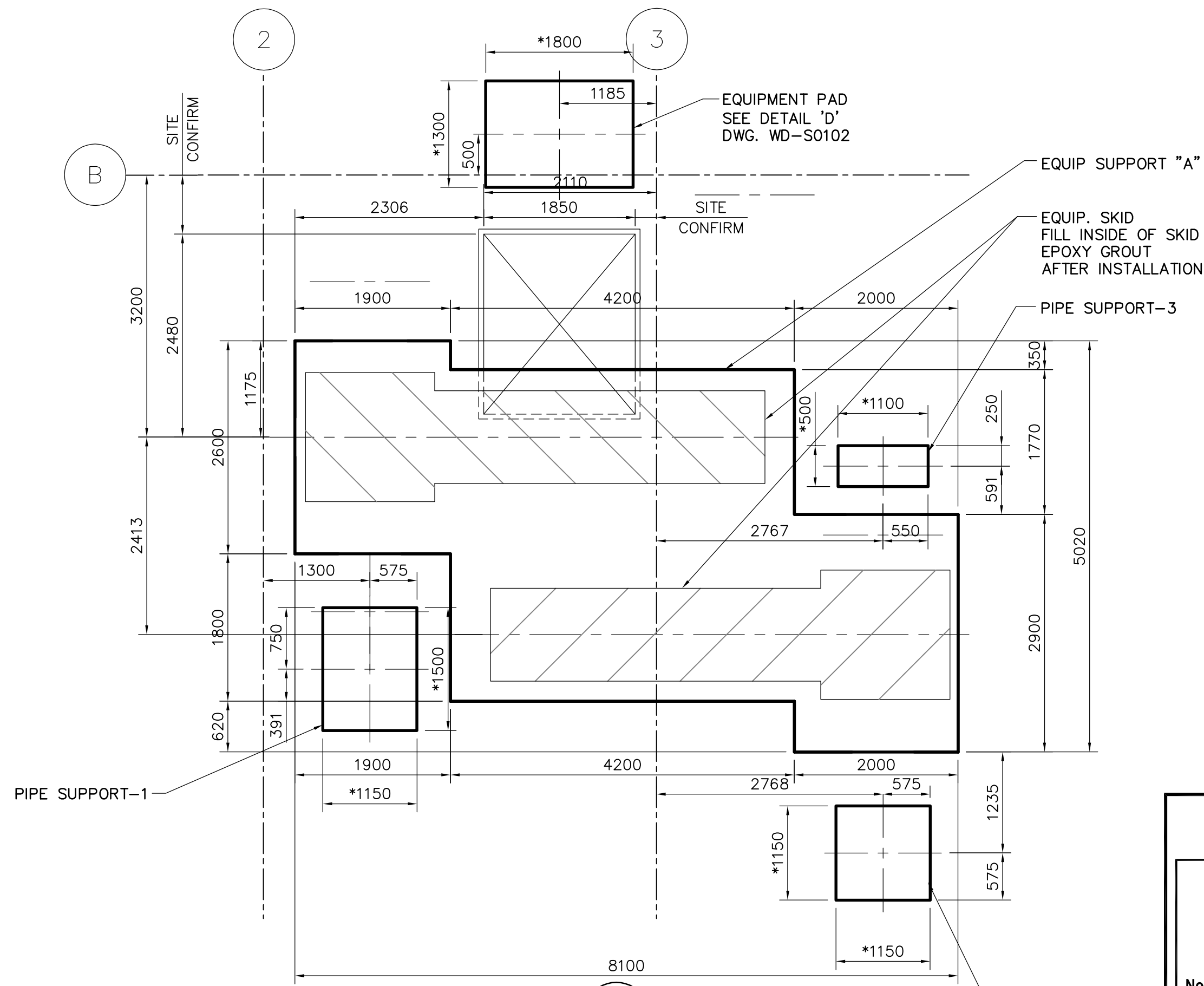
A LOCATION PLAN
WD-S0101 1:50



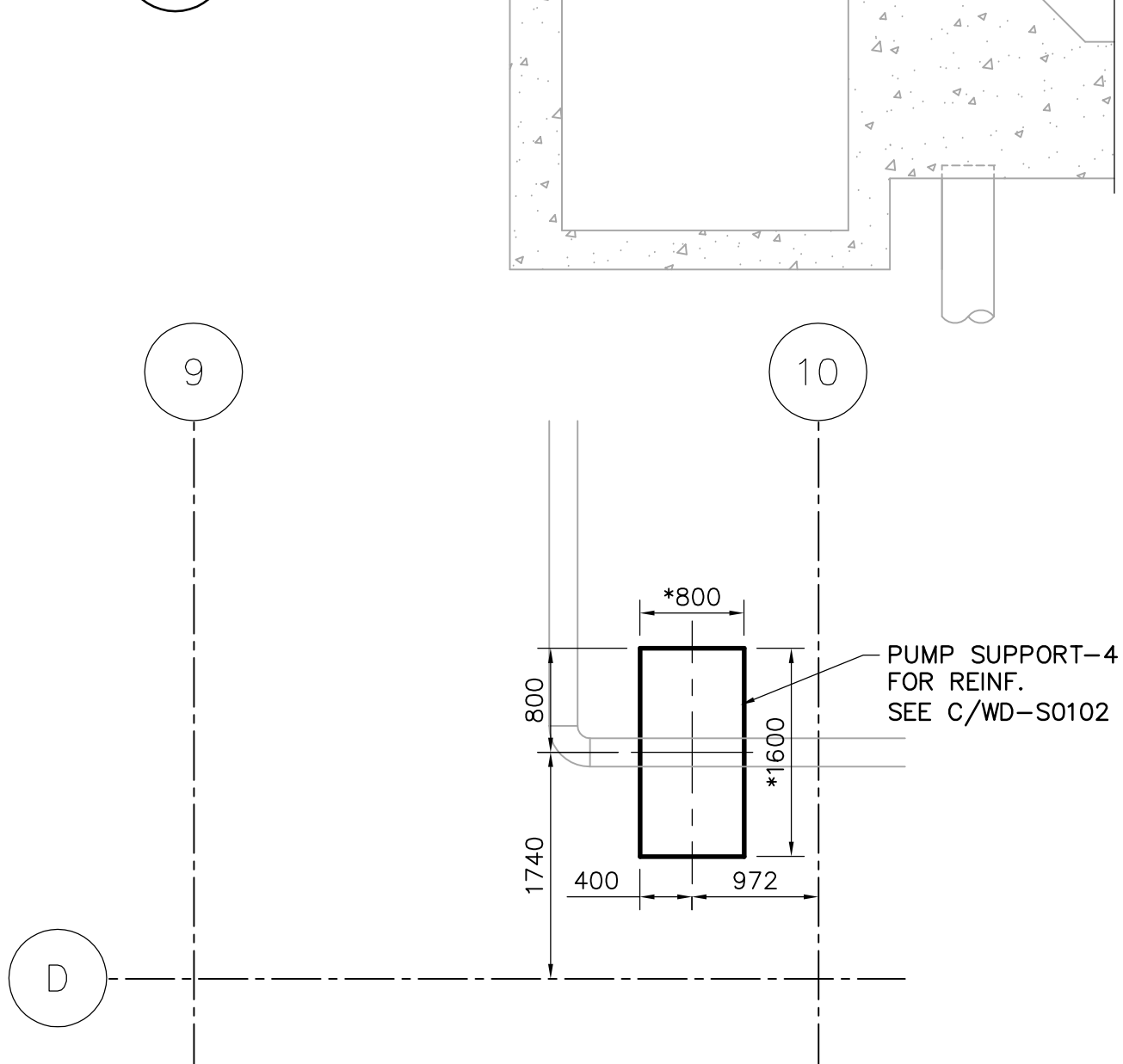
1 SECTION
WD-S0101 1:50



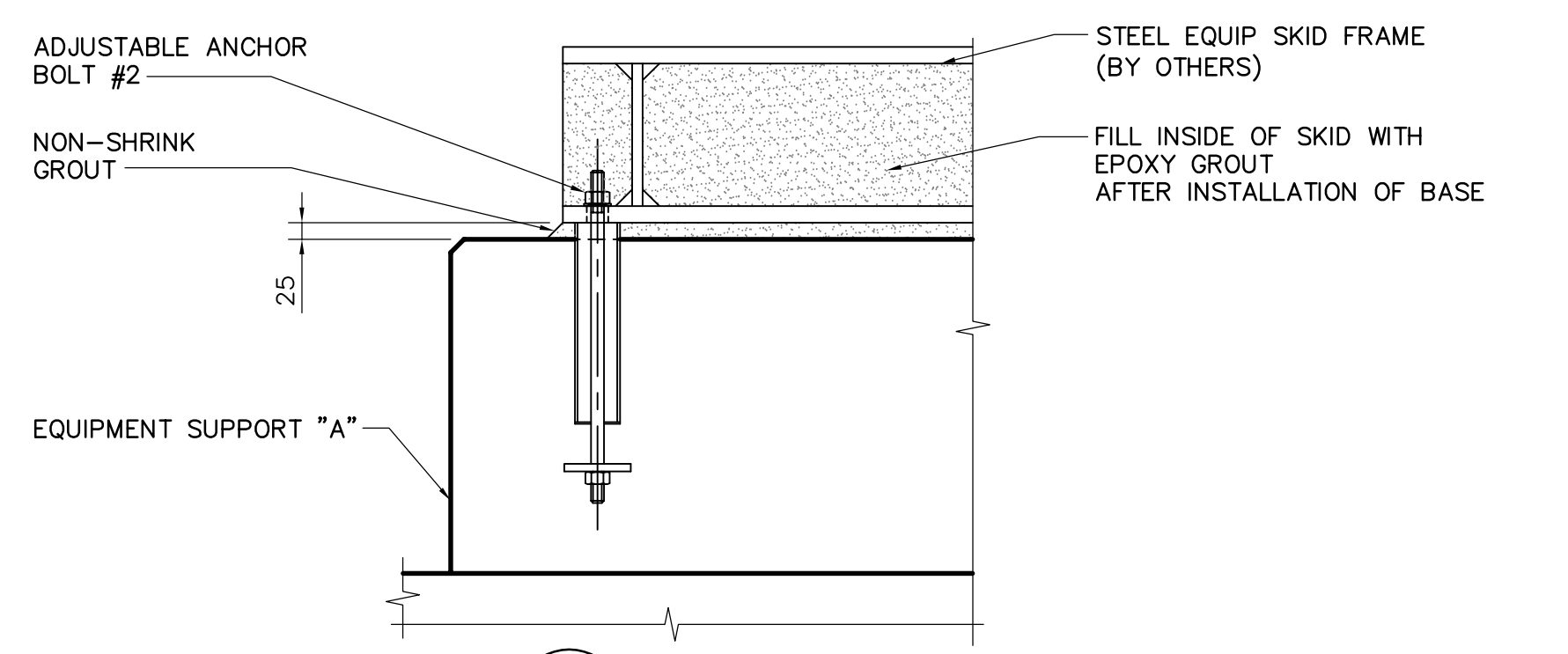
2 SECTION
WD-S0101 1:50



C FORMING PLAN (PUMP)
WD-S0101 1:50



B FORMING PLAN (PUMP)
WD-S0100 1:50



D DETAIL
WD-S0101 1:10

NOTE:
* CONC PADS FINAL SIZE, LOCATION, & HEIGHT TO BE DETERMINED BY MECHANICAL CONTRACTOR
* BEARING PLATES FINAL SIZE TO BE DETERMINED BY MECHANICAL CONTRACTOR

APECA
Certificate of Authorization
Earth Tech Canada Inc.
No. 730 Expiry: April 30, 2007

B.M. ELEV.			
00	ISSUED FOR TENDER	07/03/19	KK
NO.	REVISIONS	DATE	BY
		2006/09/11	

CH2MHILL
Frederickson Cooper
ARCHITECTS

EarthTech
A Tyco International Ltd. Company

DESIGNED BY: GGP
CHECKED BY: MK
DRAWN BY: NS
APPROVED BY: AHL
SCALE: AS SHOWN
RELEASED FOR CONSTRUCTION BY: R. SOROKOWSKI
DATE: 2007/03/16

ENGINEER'S SEAL
ORIGINAL SIGNED BY: M. KLASSEN
DATE: 2007/03/16
CONSULTANT DRAWING NO.: WD-S0101

THE CITY OF WINNIPEG
WATER AND WASTE DEPARTMENT
ENGINEERING DIVISION

Winnipeg

WATER TREATMENT PLANT
DEACON BOOSTER PUMP STATION
UPGRADE

STRUCTURAL
LOWER LEVEL PLAN
PLANS AND SECTIONS

CITY FILE NUMBER
SHEET OF
CITY DRAWING NUMBER
1-06010-A-S0101-001-000