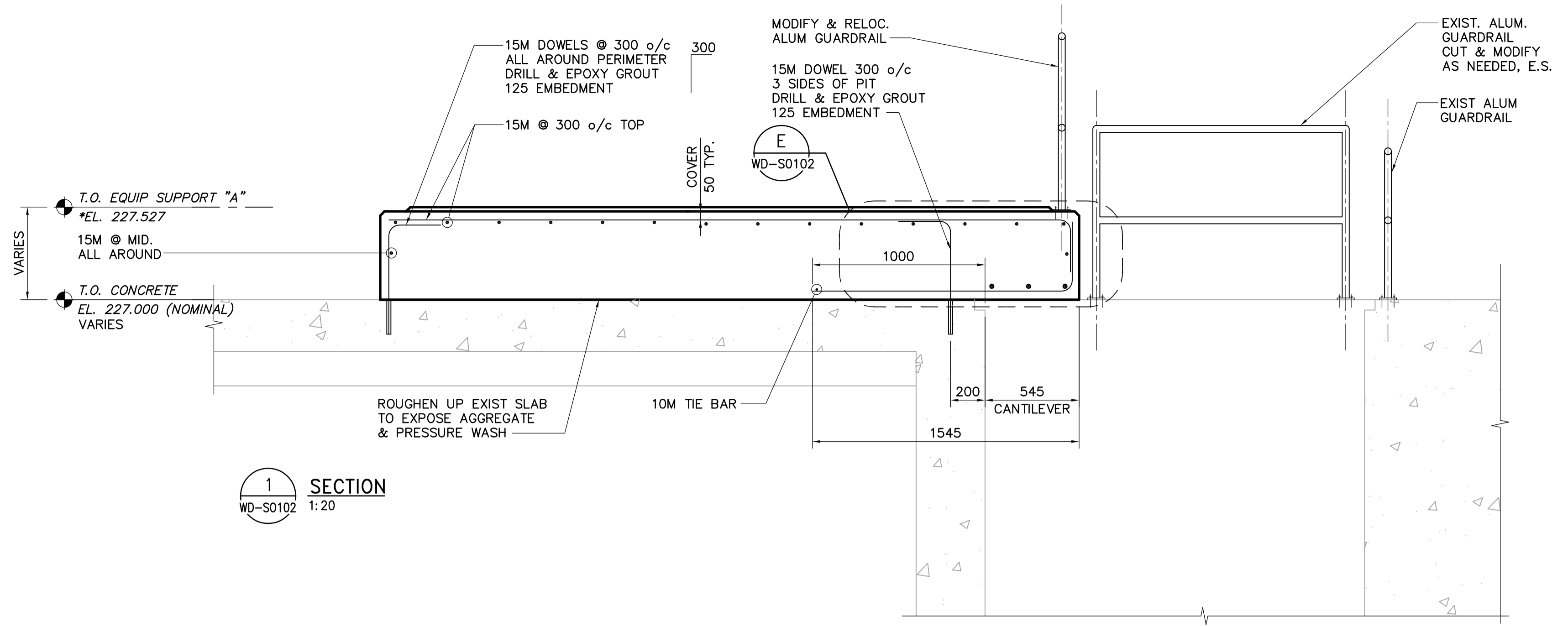
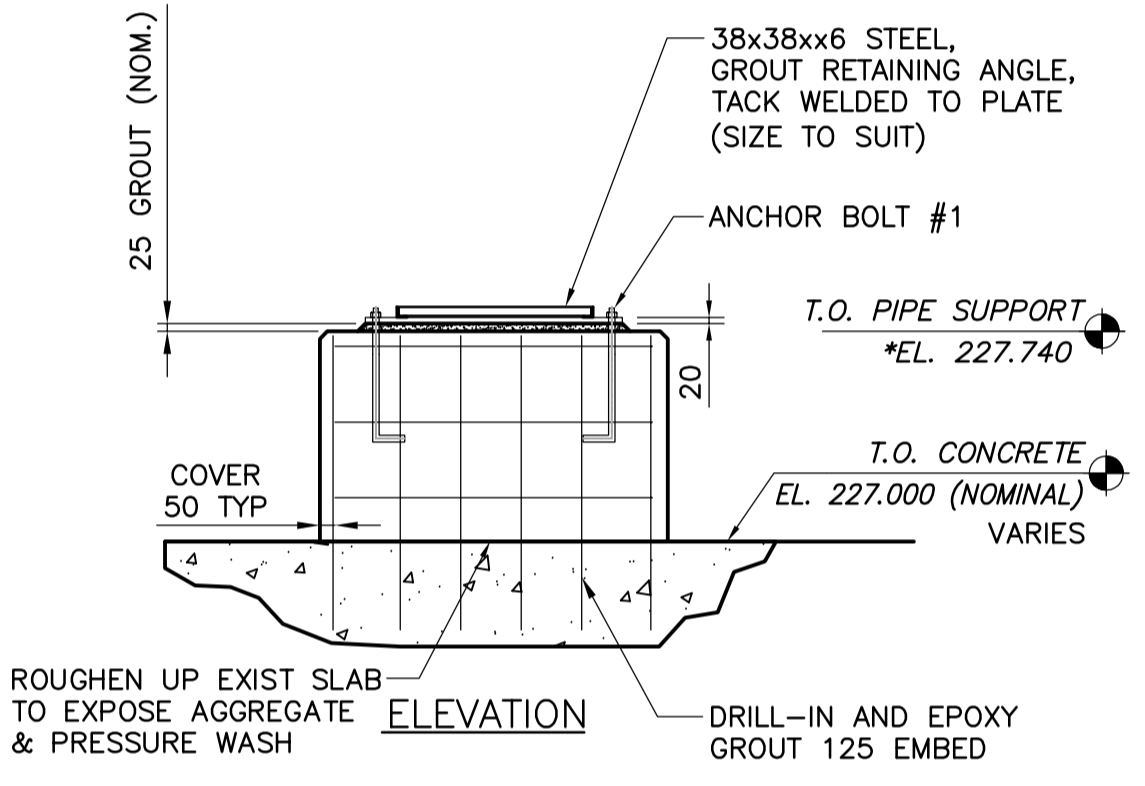
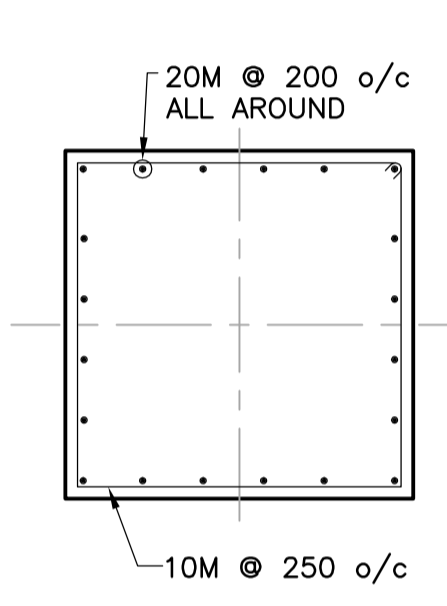


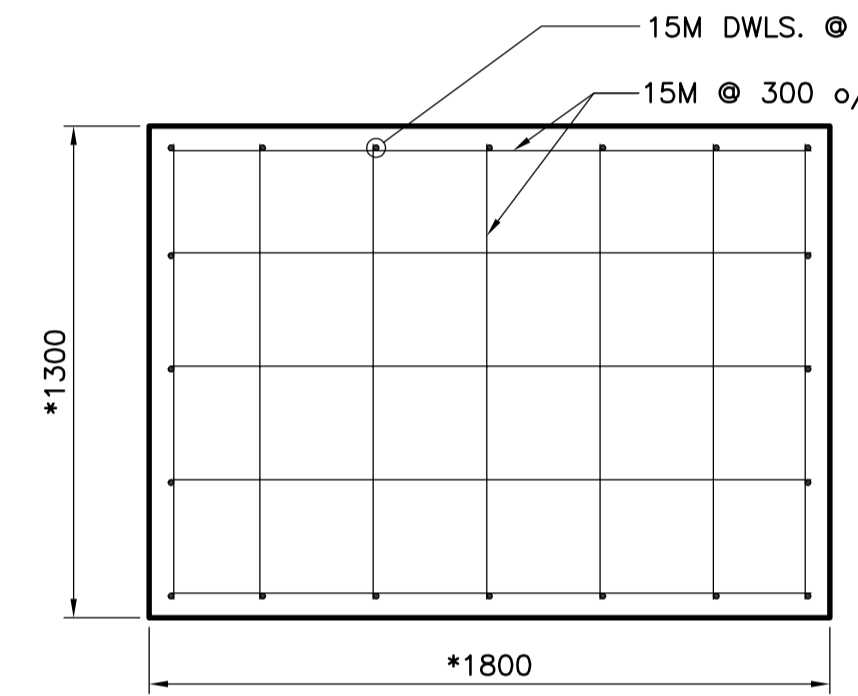
**A REIN. PLAN EQUIP SUPPORT "A"**  
WD-S0102 1:50



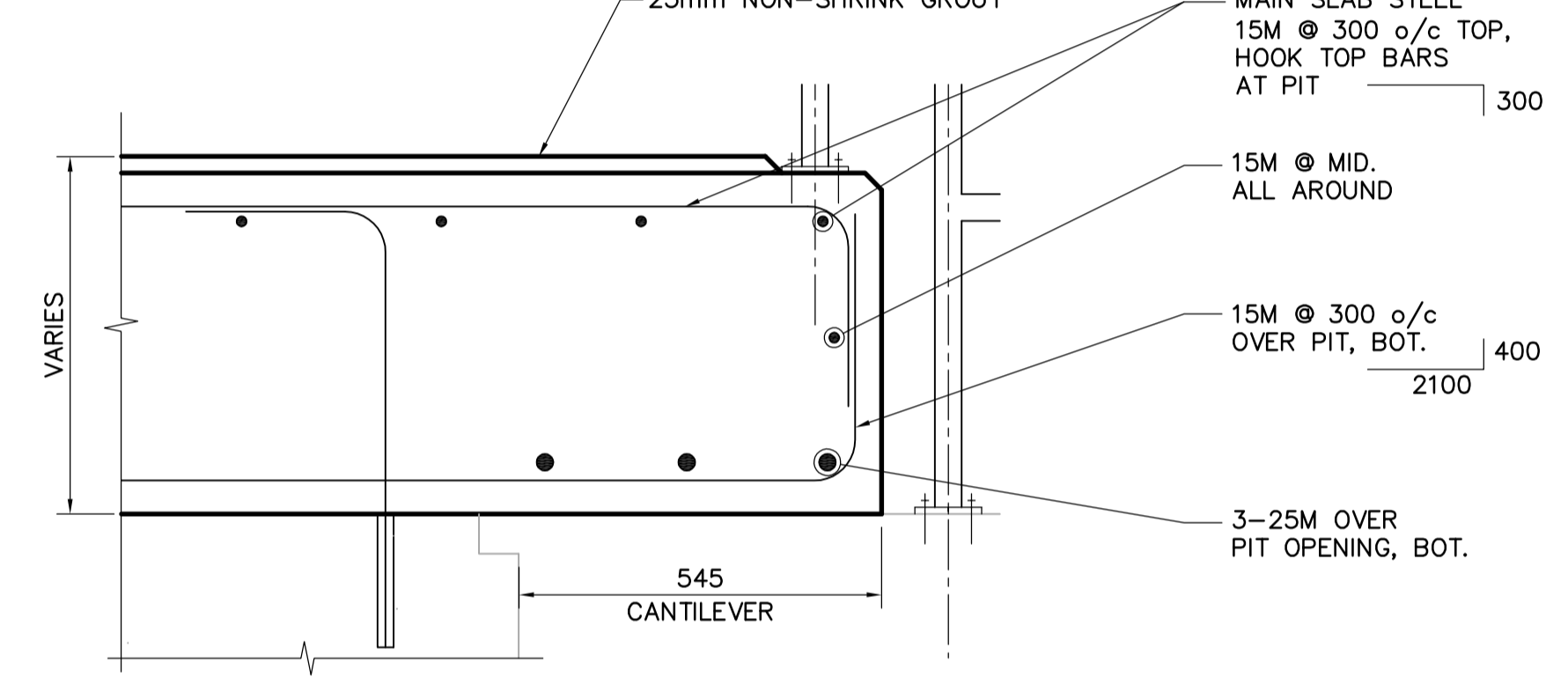
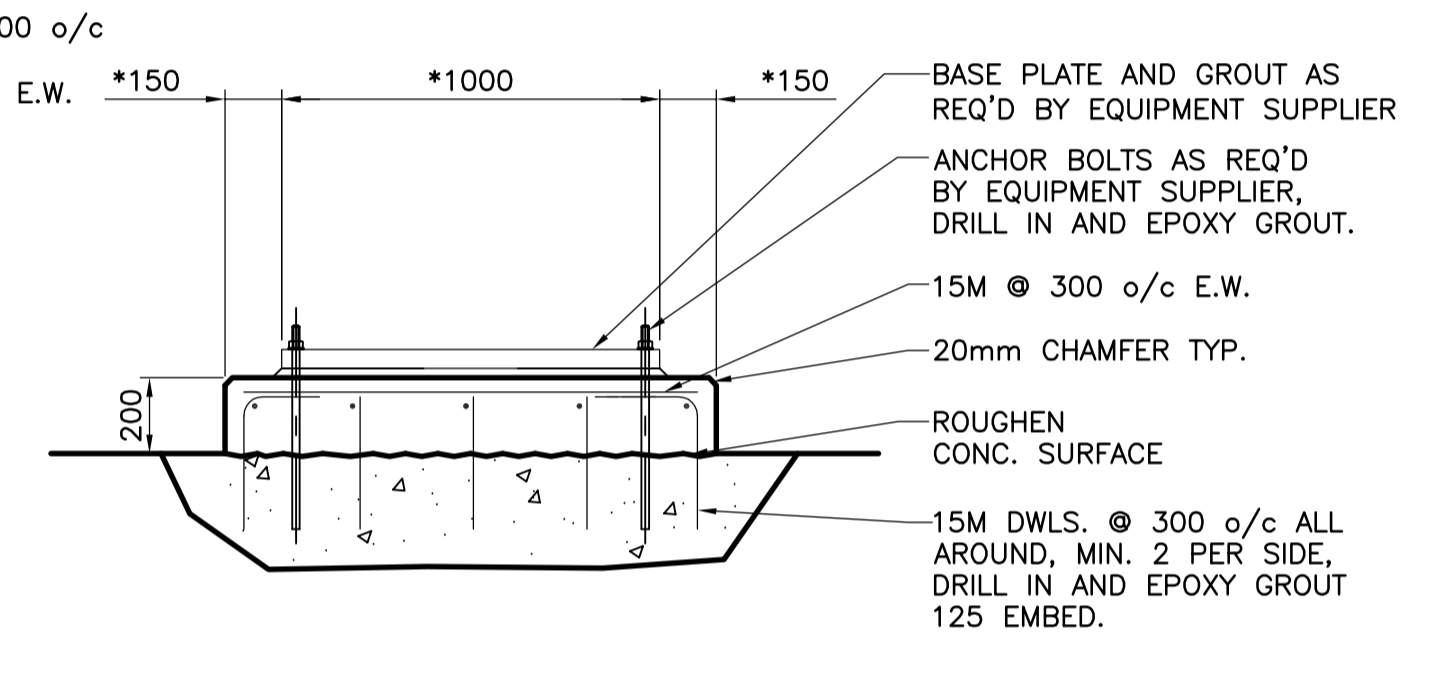
**1 SECTION**  
WD-S0102 1:20



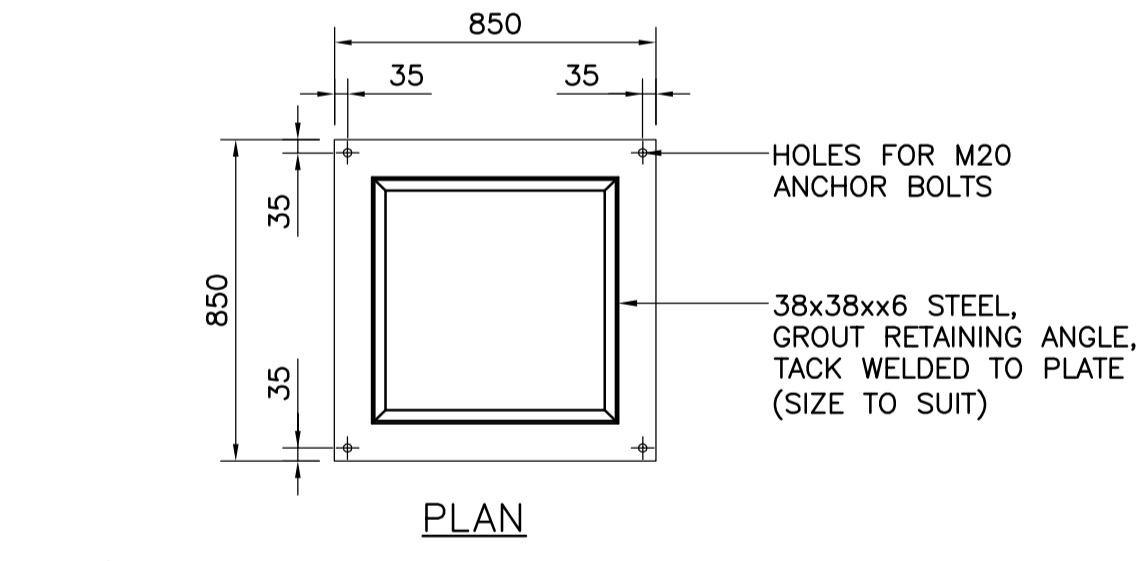
**B PIPE SUPPORT-1 & 2**  
WD-S0102 1:25



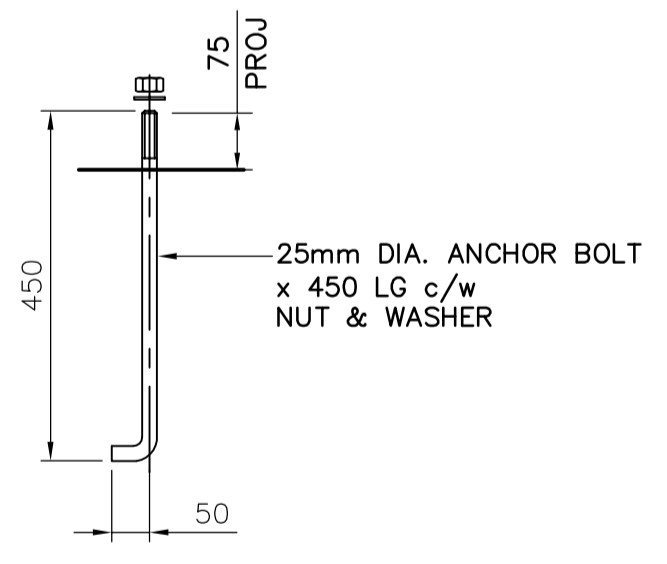
**D EQUIPMENT PAD**  
WD-S0101 1:25



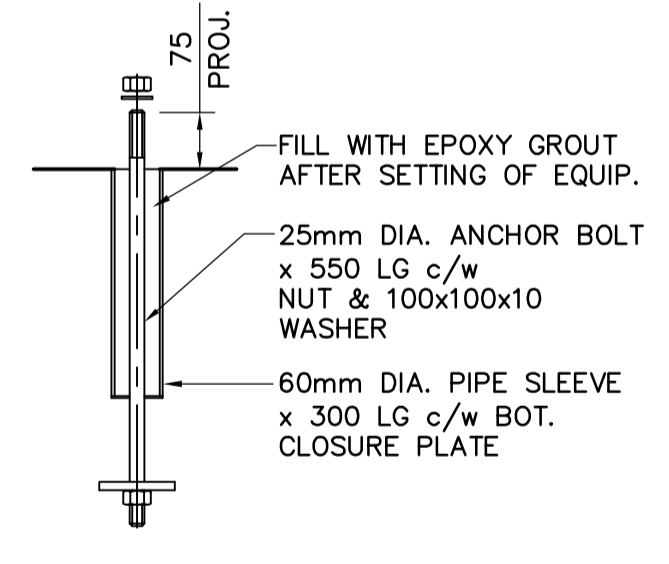
**E DETAIL OVER PIT**  
WD-S0102 1:10



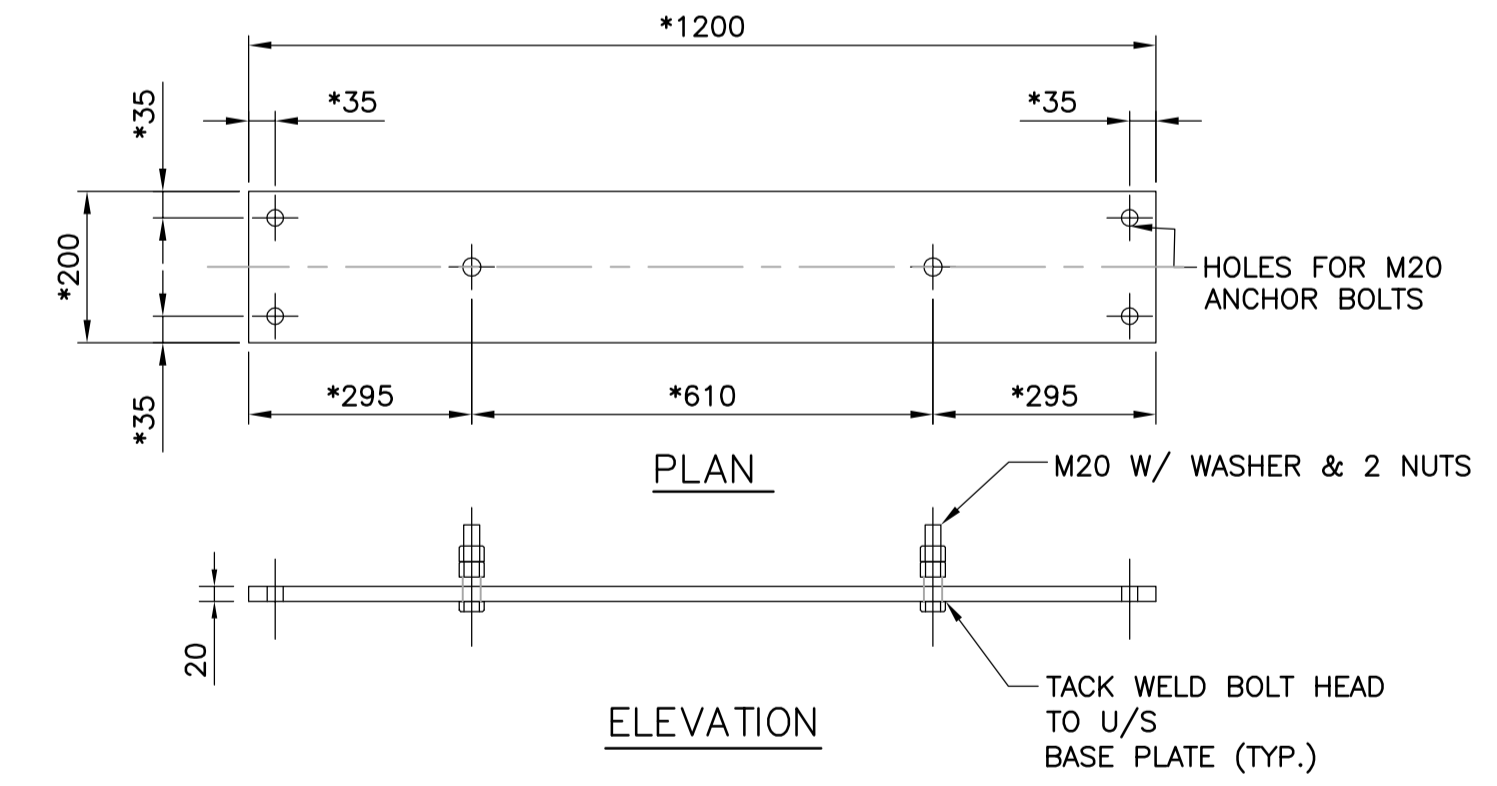
**- BASE PLATE FOR PIPE SUPPORTS 1 & 2**  
WD-S0102 1:20



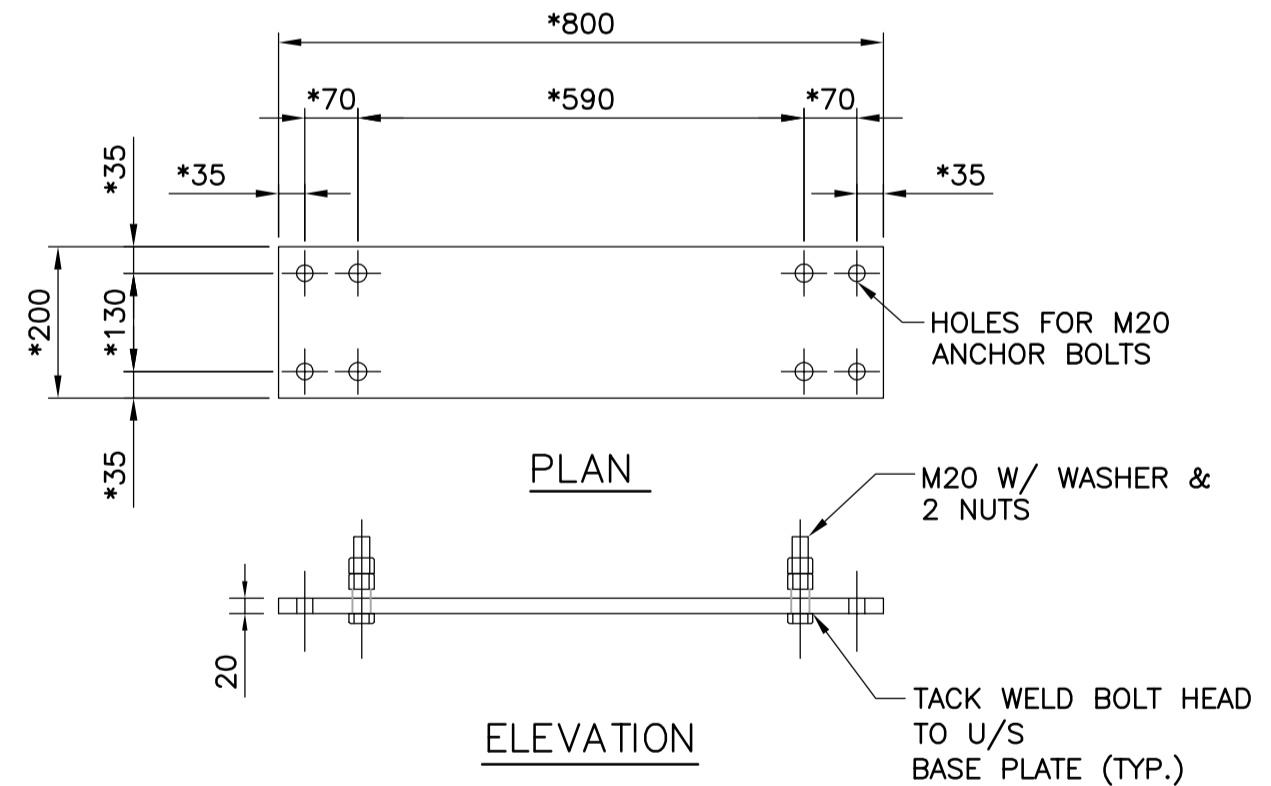
**ANCHOR BOLT #1**



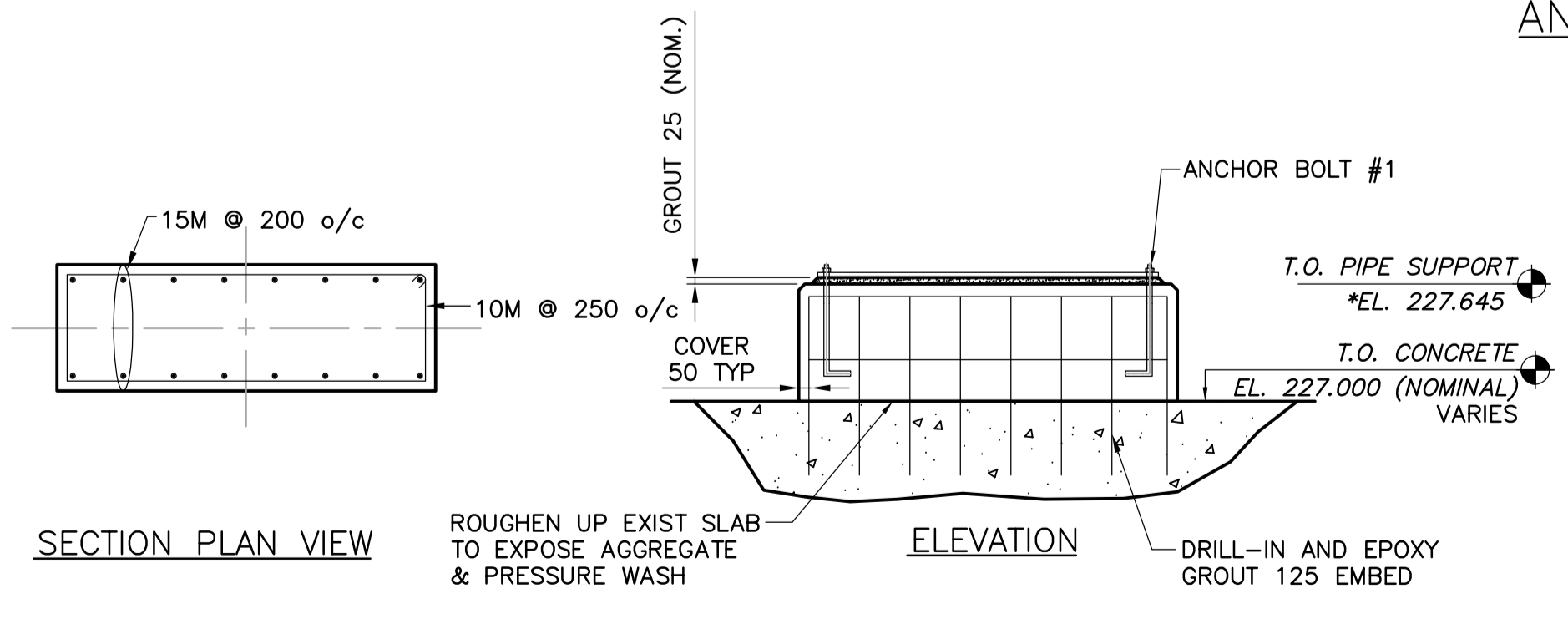
**ADJUSTABLE ANCHOR BOLT #2**



**- BASE PLATE FOR PIPE SUPPORT 4**  
WD-S0102 1:10



**- BASE PLATE FOR PIPE SUPPORT 3**  
WD-S0102 1:10



**C PIPE SUPPORT-3 & PUMP SUPPORT 4**  
WD-S0102 1:25

NOTE:  
\* CONC PADS FINAL SIZE, LOCATION, & HEIGHT TO BE DETERMINED BY MECHANICAL CONTRACTOR  
\* BEARING PLATES FINAL SIZE TO BE DETERMINED BY MECHANICAL CONTRACTOR

<p>Certificate of Authorization Earth Tech Canada Inc. No. 730 Expiry: April 30, 2007</p>	B.M. ELEV.	<p>Frederickson Cooper ARCHITECTS</p>	<p>A Tyco International Ltd. Company</p>	ENGINEER'S SEAL	<p>THE CITY OF WINNIPEG WATER AND WASTE DEPARTMENT ENGINEERING DIVISION</p>		
				DESIGNED BY GGP		CHECKED BY MK	ORIGINAL SIGNED BY M. KLASSEN
				DRAWN BY NS		APPROVED BY AHL	2007/03/16
				SCALE: AS SHOWN		RELEASED FOR CONSTRUCTION BY: R. SOROKOWSKI	CONSULTANT DRAWING NO. WD-S0102
	00 ISSUED FOR TENDER 07/03/19 KK	DATE 2006/09/11	DATE 2007/03/16		<p>WATER TREATMENT PLANT DEACON BOOSTER PUMP STATION UPGRADE</p>	CITY FILE NUMBER	
	NO. REVISIONS	DATE	DATE		<p>STRUCTURAL SECTION AND DETAILS</p>	SHEET OF	
						CITY DRAWING NUMBER	
						1-0601D-A-S0102-001-00D	