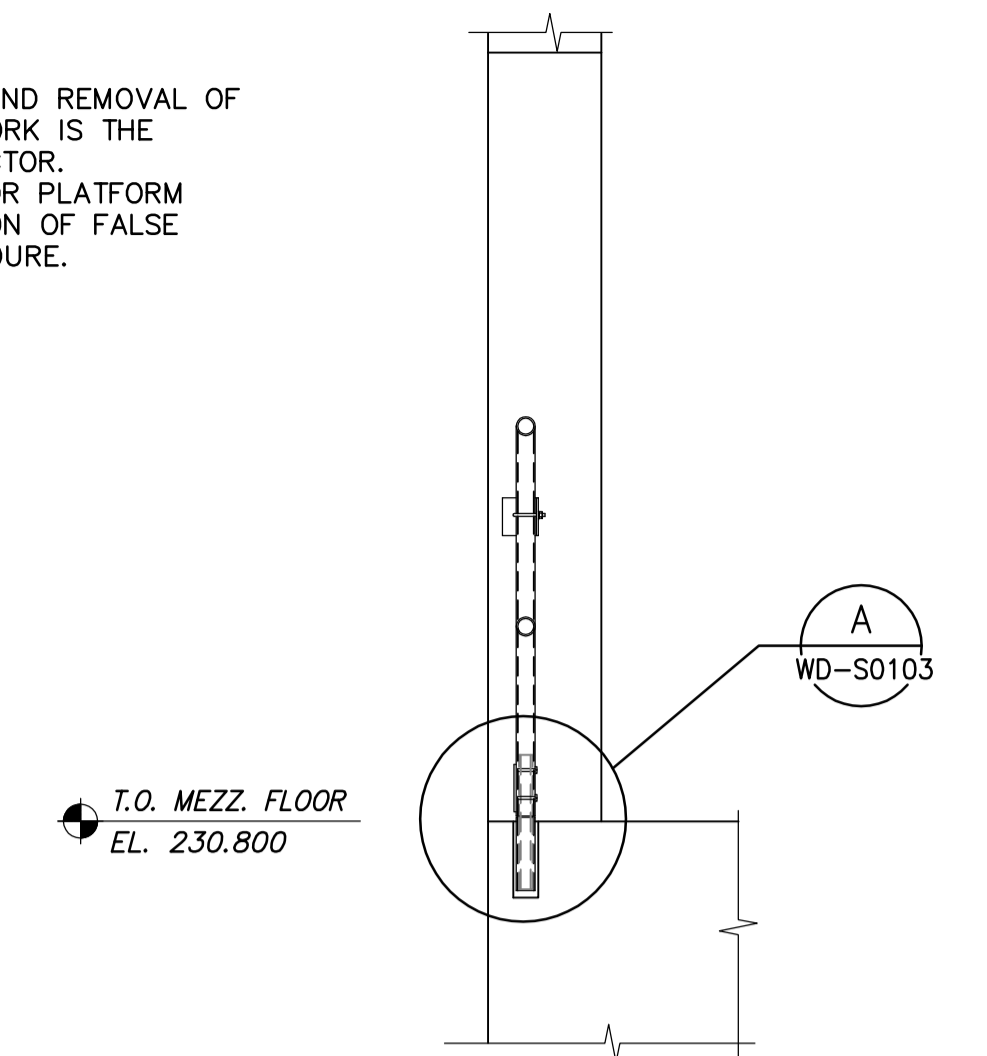
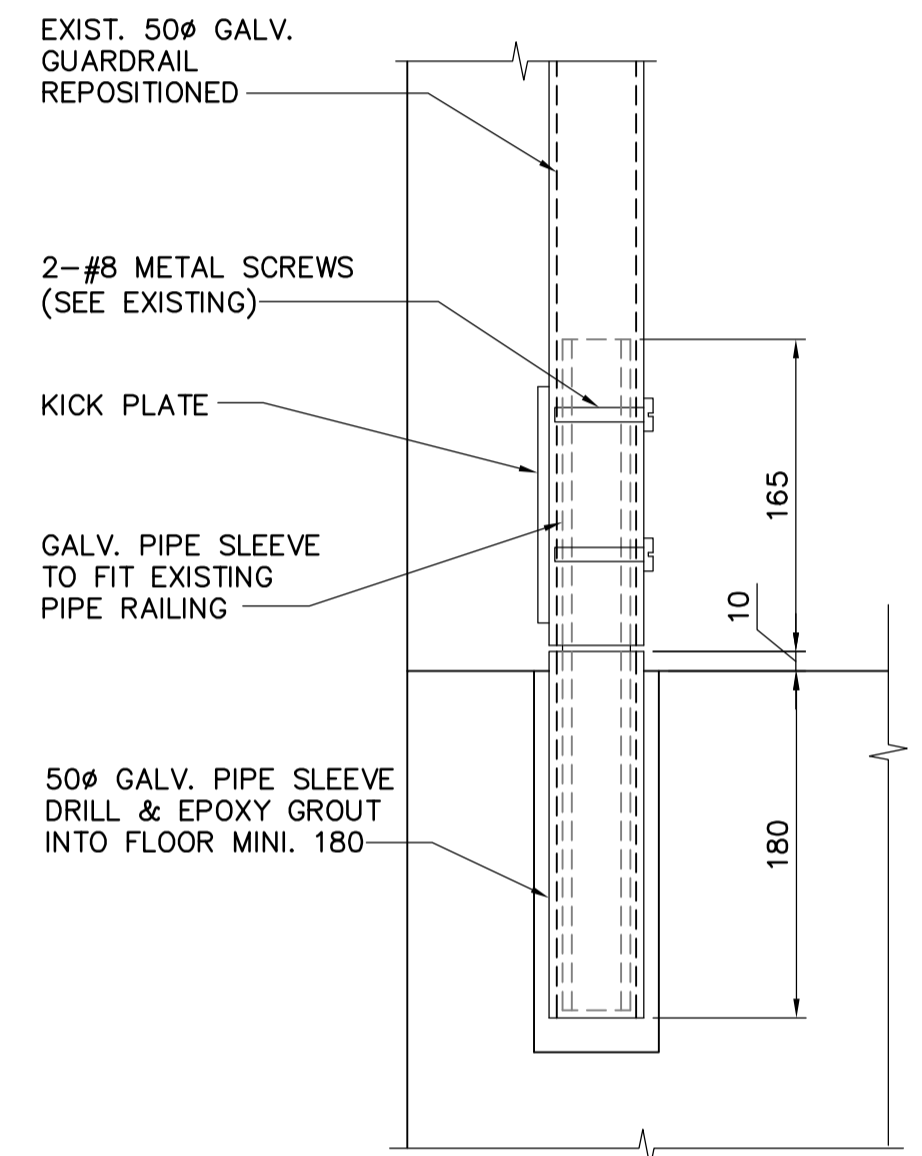


FLOOR PLAN ABOVE ELEVATION 230.80  
1:100

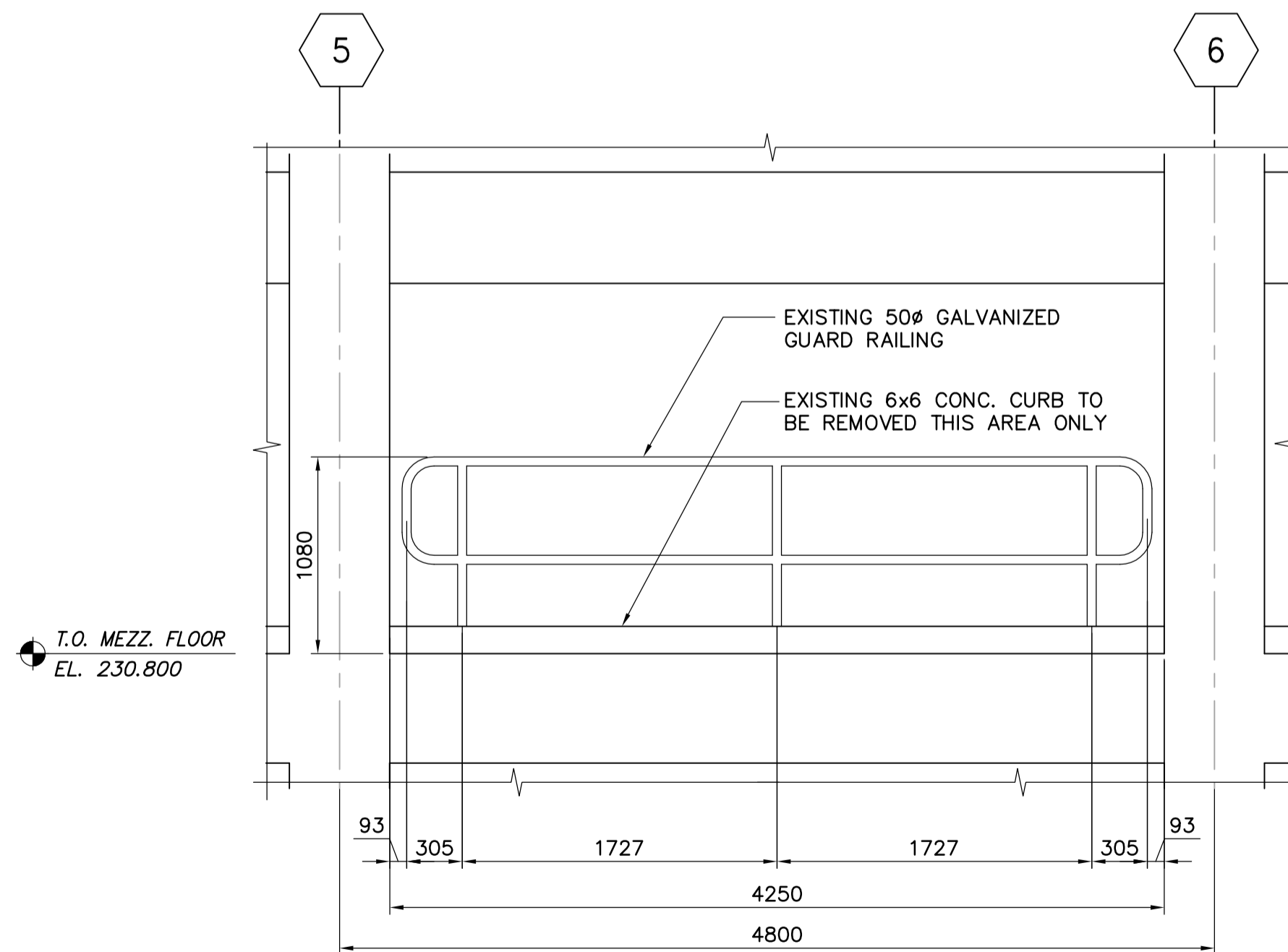
NOTE:  
1. DESIGN, SUPPLY, INSTALLATION AND REMOVAL OF TEMPORARY PLATFORM FALSE WORK IS THE RESPONSIBILITY OF THE CONTRACTOR. COORDINATE WITH ELECTRICAL FOR PLATFORM SIZE, CAPACITY, ACTUAL LOCATION OF FALSE WORK AND INSTALLATION PROCEDURE.



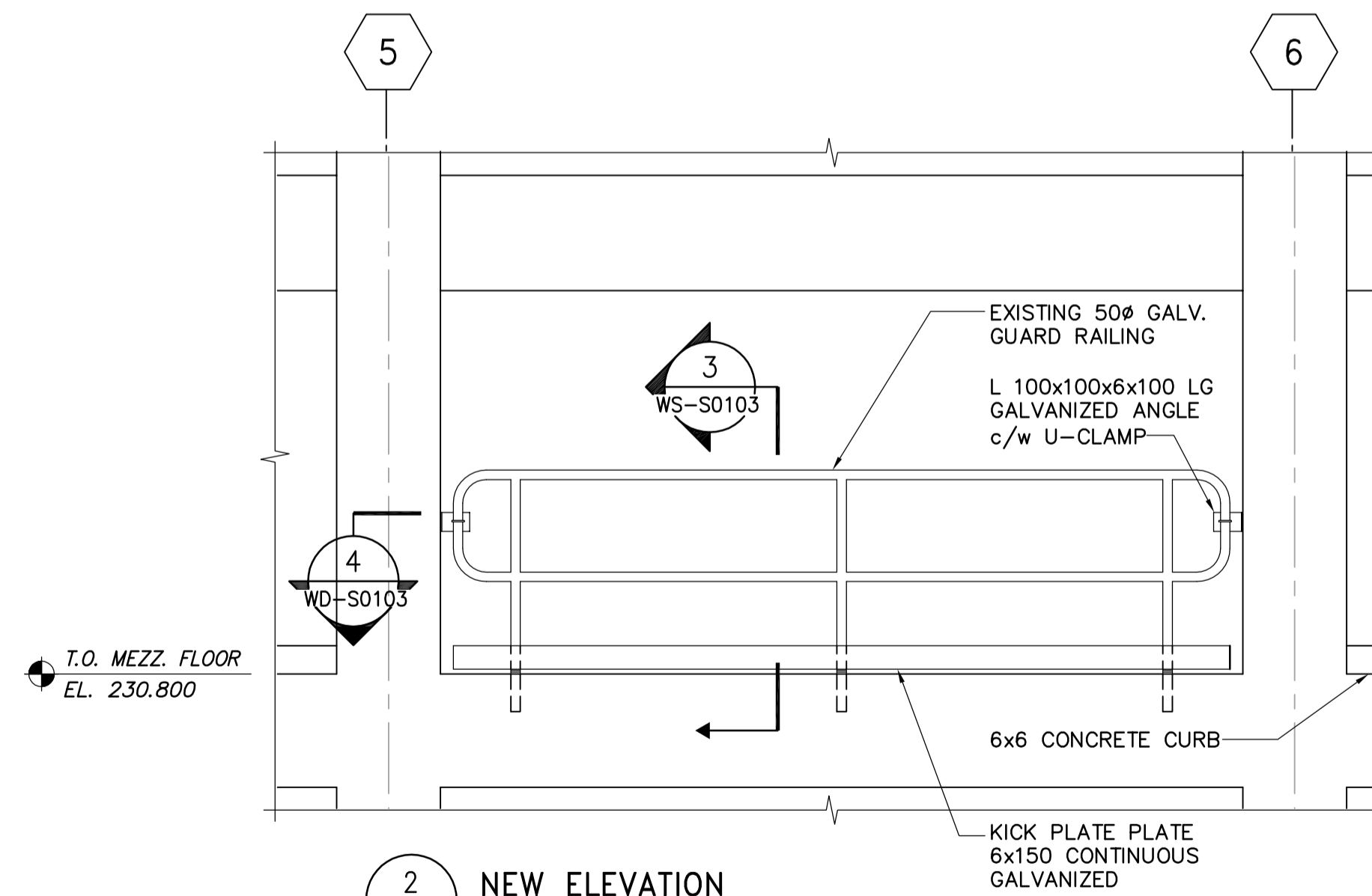
3 SECTION  
WS-S0103 1:20



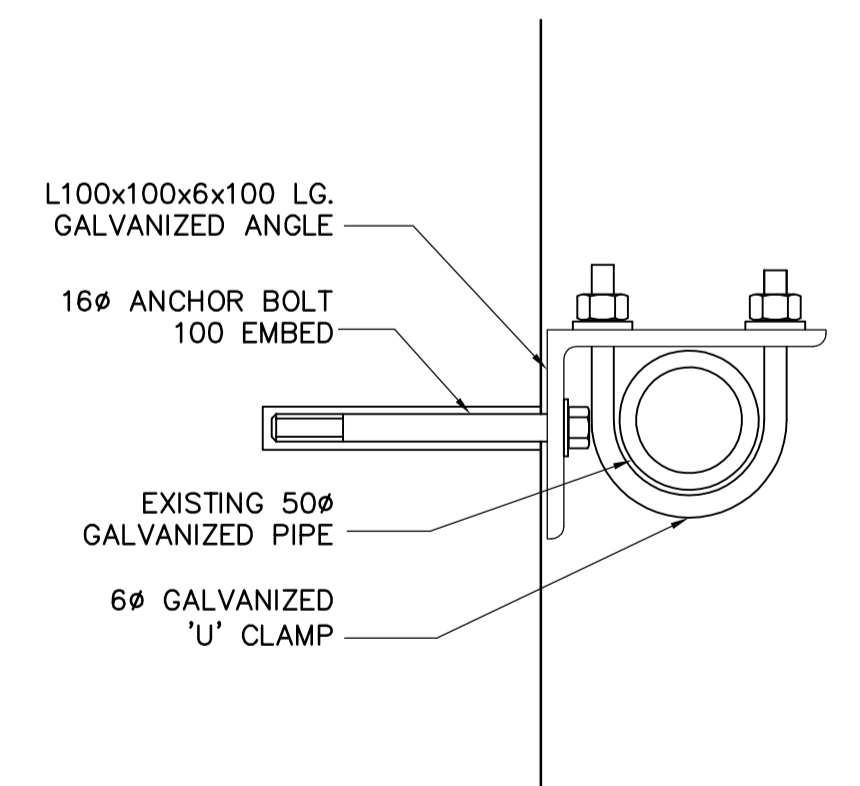
A EXISTING SECTION  
WS-S0103 1:4



1 EXISTING ELEVATION  
WS-S0103 1:30



2 NEW ELEVATION  
WS-S0103 1:30



4 SECTION  
WS-S0103 N.T.S.

**APEGM**  
Certificate of Authorization  
Earth Tech Canada Inc.  
No. 730 Expiry: April 30, 2007

NO.	REVISIONS	DATE	BY
00	ISSUED FOR TENDER	07/03/19	KK

**CH2MHILL**  
Frederickson Cooper  
ARCHITECTS

**EarthTech**  
A Tyco International Ltd. Company

DESIGNED BY	GGP	CHECKED BY	MK
DRAWN BY	NS/GGP	APPROVED BY	AHL
SCALE:	AS SHOWN	RELEASED FOR CONSTRUCTION BY:	R. SOROKOWSKI
DATE	2006/10/12	DATE	2007/03/16

ENGINEER'S SEAL  
ORIGINAL SIGNED BY  
M. KLASSEN  
2007/03/16  
CONSULTANT DRAWING NO.  
WD-S0103

**THE CITY OF WINNIPEG**  
WATER AND WASTE DEPARTMENT  
ENGINEERING DIVISION  
Winnipeg

WATER TREATMENT PLANT  
DEACON BOOSTER PUMP STATION  
UPGRADE

STRUCTURAL  
MEZZANINE FLOOR PLAN  
LAYOUT ABOVE 230.800

CITY FILE NUMBER  
SHEET OF  
CITY DRAWING NUMBER  
1-0601D-A-S0103-001-00D