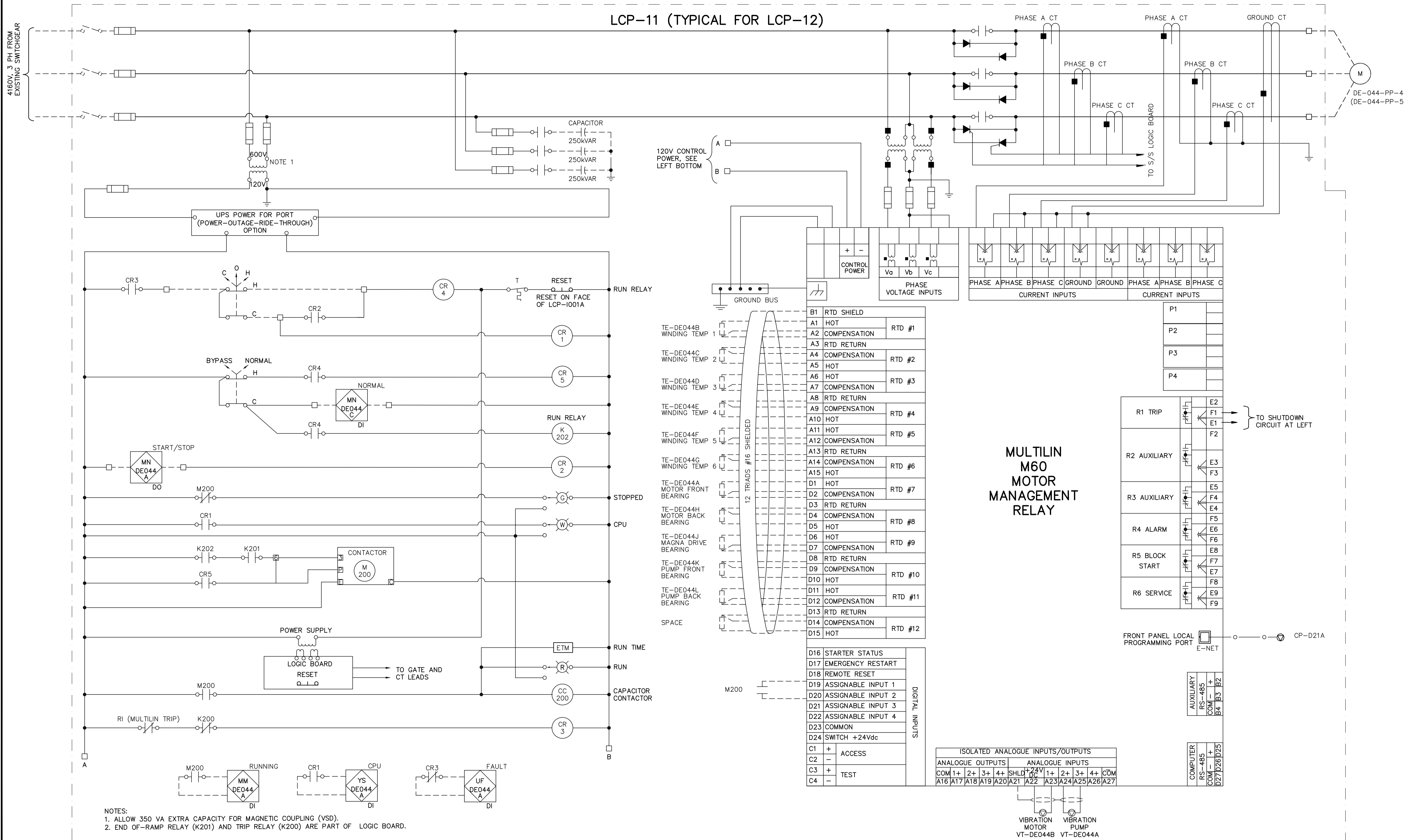


LCP-11 (TYPICAL FOR LCP-12)



NOTES:
 1. ALLOW 350 VA EXTRA CAPACITY FOR MAGNETIC COUPLING (VSD).
 2. END-OF-RAMP RELAY (K201) AND TRIP RELAY (K200) ARE PART OF LOGIC BOARD.

<p>APEGM Certificate of Authorization Earth Tech Canada Inc. No. 730 Expiry: April 30, 2007</p>	B.M. ELEV.	<p>Frederickson Cooper ARCHITECTS</p>	<p>EarthTech A Tyco International Ltd. Company</p>	ENGINEER'S SEAL	<p>THE CITY OF WINNIPEG WATER AND WASTE DEPARTMENT ENGINEERING DIVISION</p>	
	DESIGNED BY: BLM			CHECKED BY: PS		ORIGINAL SIGNED BY: P. STRYK
	DRAWN BY: ERC			APPROVED BY: AHL		2007/03/19
	SCALE: NTS			RELEASED FOR CONSTRUCTION BY: R. SOROKOWSKI		CONSULTANT DRAWING NO. WD-E0502
NO. REVISIONS	DATE	BY	DATE	DATE	WATER TREATMENT PLANT DEACON BOOSTER PUMP STATION UPGRADE ELECTRICAL CONTROL DIAGRAM CITY FILE NUMBER SHEET OF CITY DRAWING NUMBER 1-06010-H-E0502-001-000	