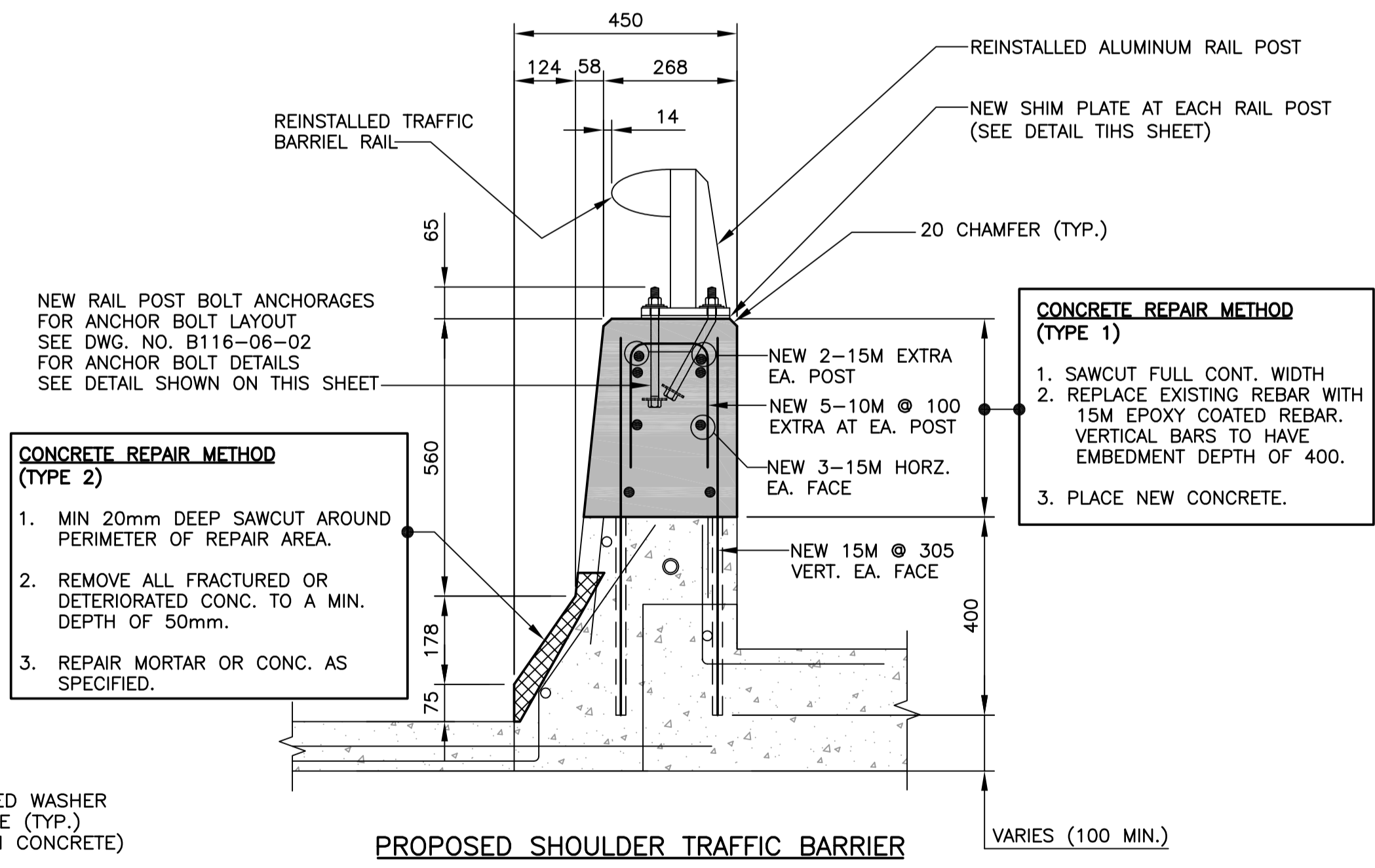
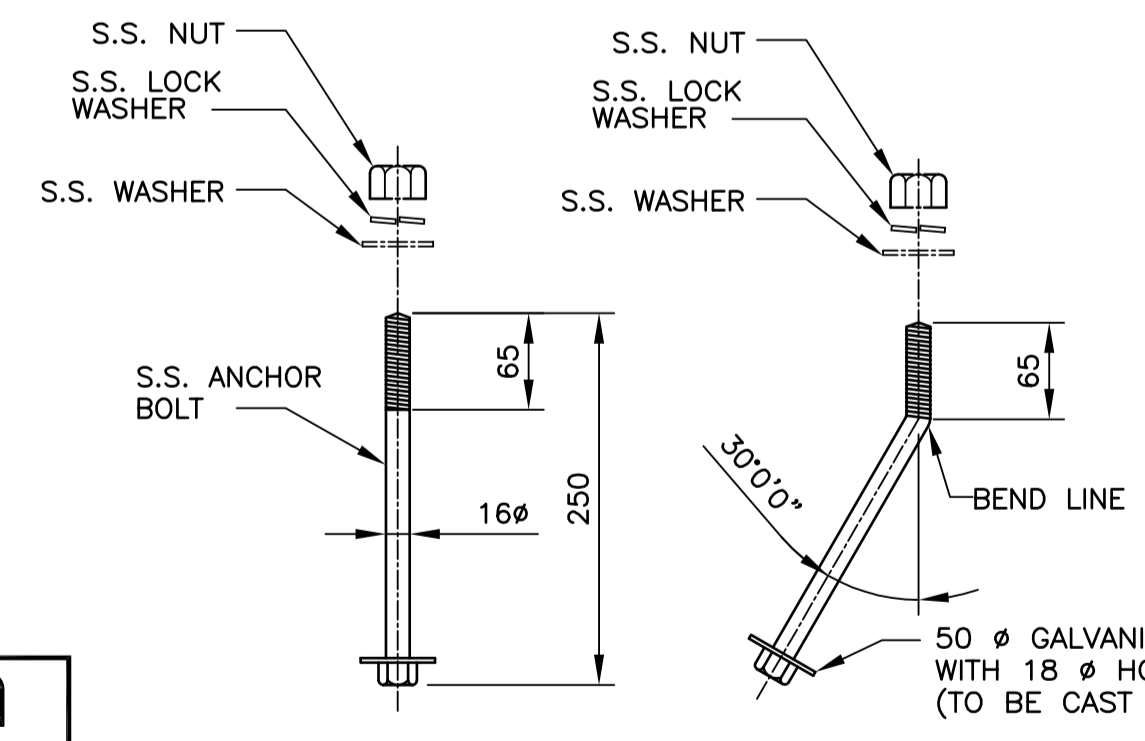
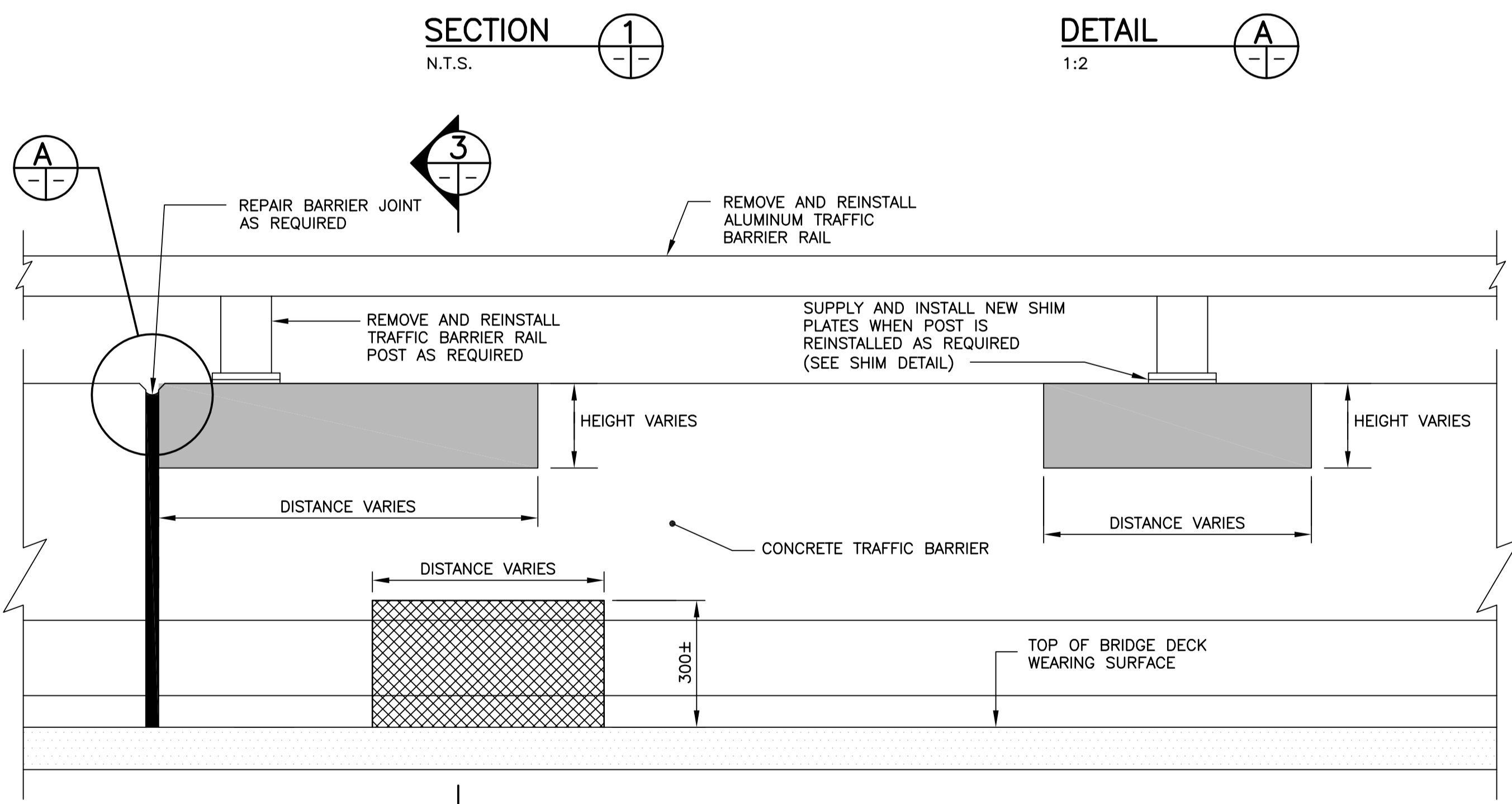
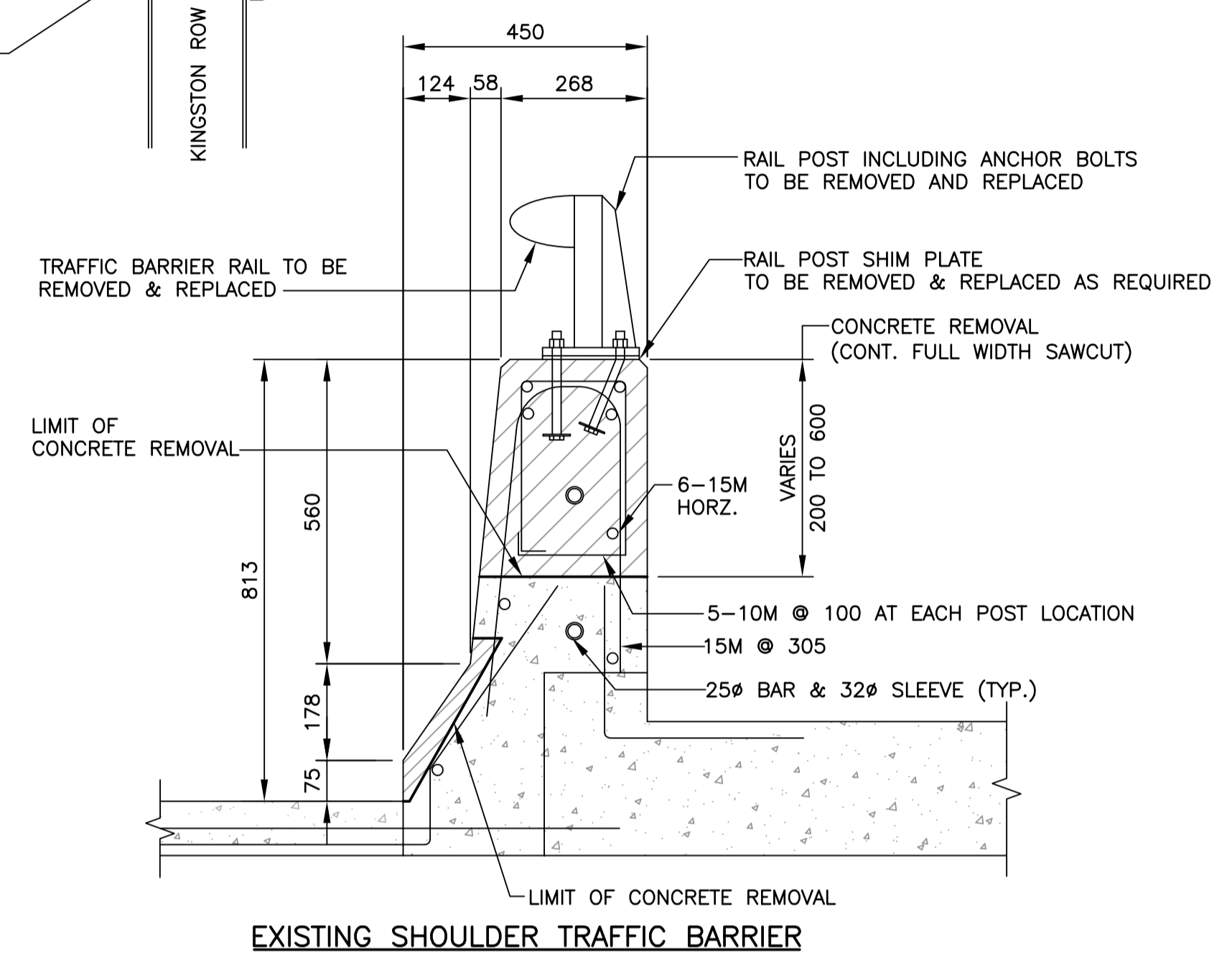
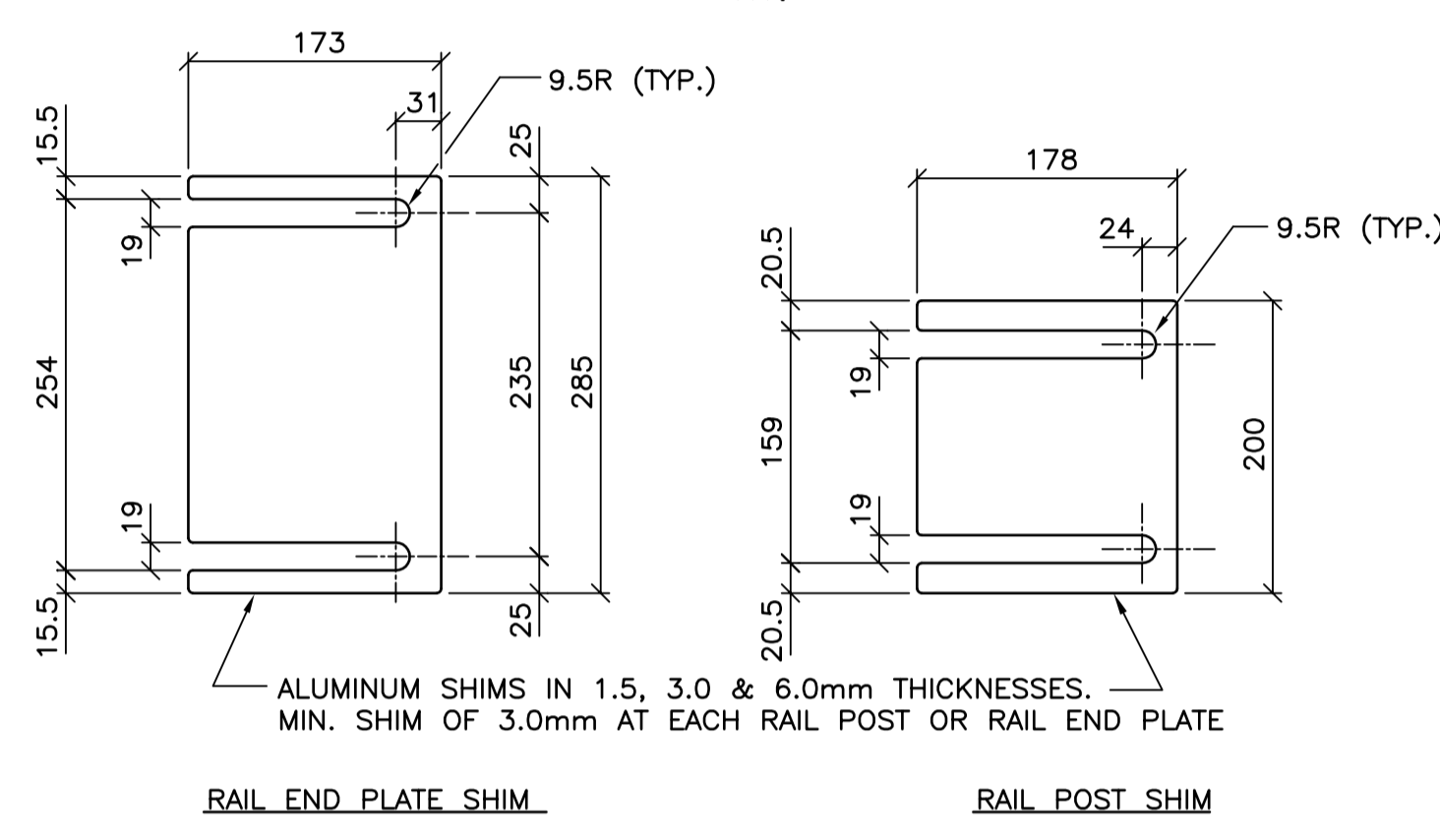
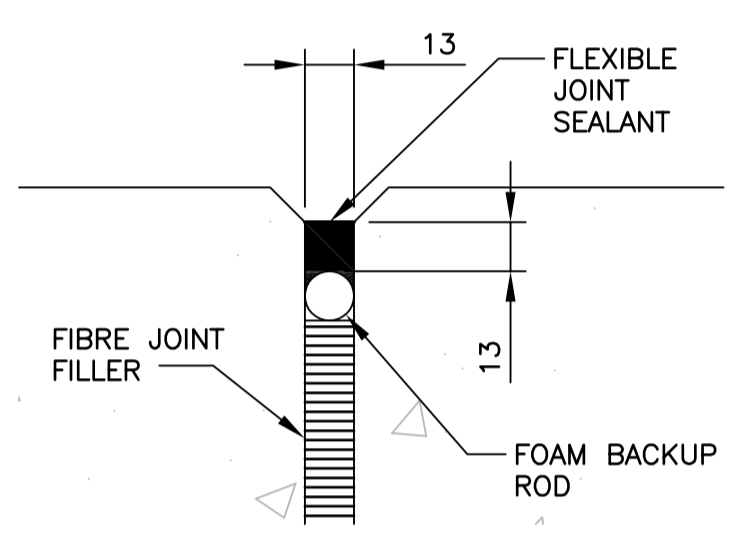
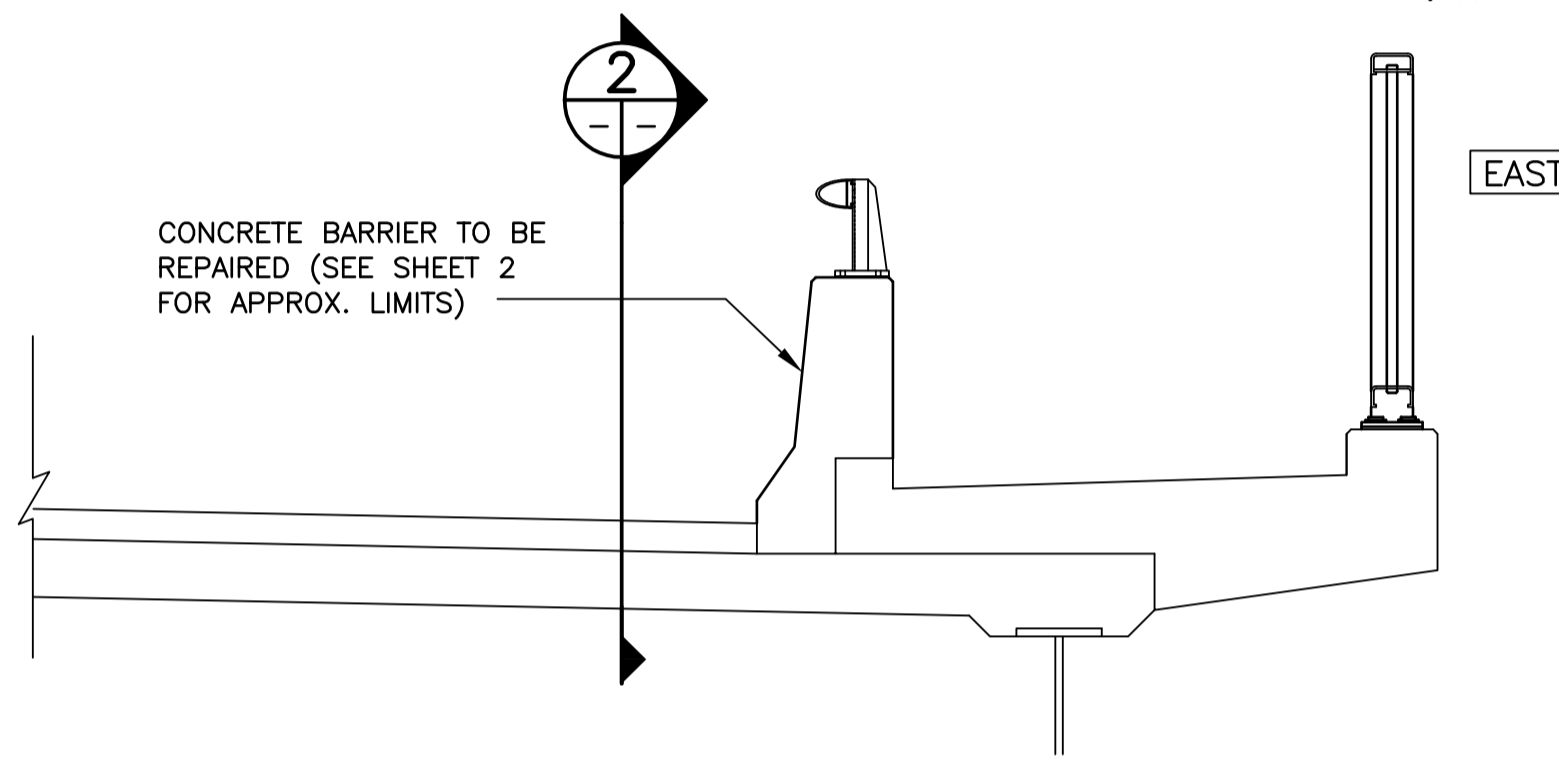


NOTE:  
FOR ELEVATION MARK 'A'-A', 'B'-B' & 'C'-C' SEE DWG. NO. B116-06-03A  
FOR ELEVATION MARK 'D'-D' SEE DWG. NO. B116-06-03B



**ELEVATION - CONCRETE TRAFFIC BARRIER REPAIRS**  
SECTION 2  
1:10

**REPAIR LEGEND**

- TYPE 1 REPAIR - FULL BARRIER DEPTH WITH VARIABLE LENGTH AND HEIGHT. (SEE DWG. NO. B116-06-02)
- TYPE 2 REPAIR - TYPICAL BARRIER PARTIAL DEPTH REPAIR
- EXIST. CONCRETE REMOVAL

**NOTES:**

- SUPPLY AND INSTALL A COMBINATION OF NEW 1.5, 3.0 AND/OR 6.0MM THICK ALUMINUM RAIL POST OR END PLATE SHIMS ARE TO BE USED AS REQUIRED TO SET THE BARRIER RAIL TO A UNIFORM ELEVATION. (MINIMUM 3.0MM SHIM REQUIRED AT EACH POST OR PLATE).
- BOTTOM SURFACE OF SHIM (SURFACE IN CONTACT WITH CONCRETE) IS TO BE PAINTED WITH 2 COATS OF ALKALI RESISTANT BITUMINOUS PAINT, EACH COAT BEING 1MM IN THICKNESS.



B.M. ELEV.	DESIGNED BY: M.R.D.		
	DRAWN BY: M.R.D.		
	CHECKED BY: R.A.W.		
	REVIEWED BY: R.A.W.		
	SCALE: HORZ. AS SHOWN VERT.	DATE: JUNE 2006	
2 ISSUED FOR TENDER	06/06/15	NBC	
1 ISSUED FOR CITY REVIEW	06/06/13	MRD	
0 ISSUED FOR CITY REVIEW	06/05/19	MRD	
NO. REVISIONS	DATE	BY	
			AUTHORIZED BY: _____ DATE: _____ ORIGINAL SIGNED BY B. NEIRINCK, P.Eng. CITY BRIDGE ENGINEER

**THE CITY OF WINNIPEG**  
PUBLIC WORKS DEPARTMENT

2006 BRIDGE MAINTENANCE  
ST. VITAL BRIDGE  
CONCRETE REPAIRS

DETAILS 1 OF 2

CITY DRAWING NUMBER  
B116-06-01  
SHEET 1 OF 4

BID OPP NO.  
353-2006

CONSULTANT PROJECT NO.  
06-5919-1001