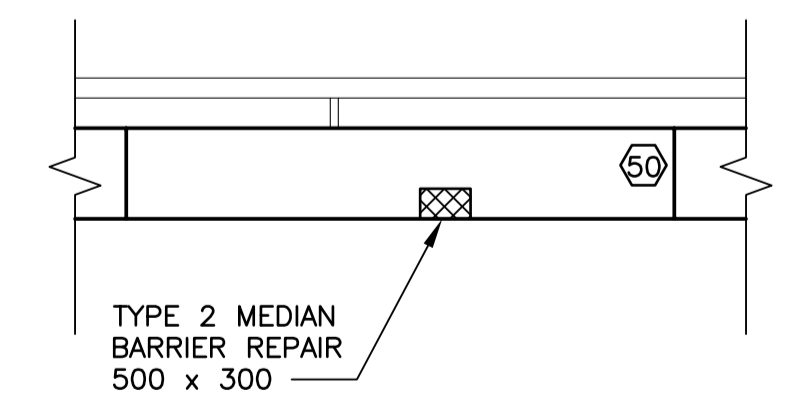


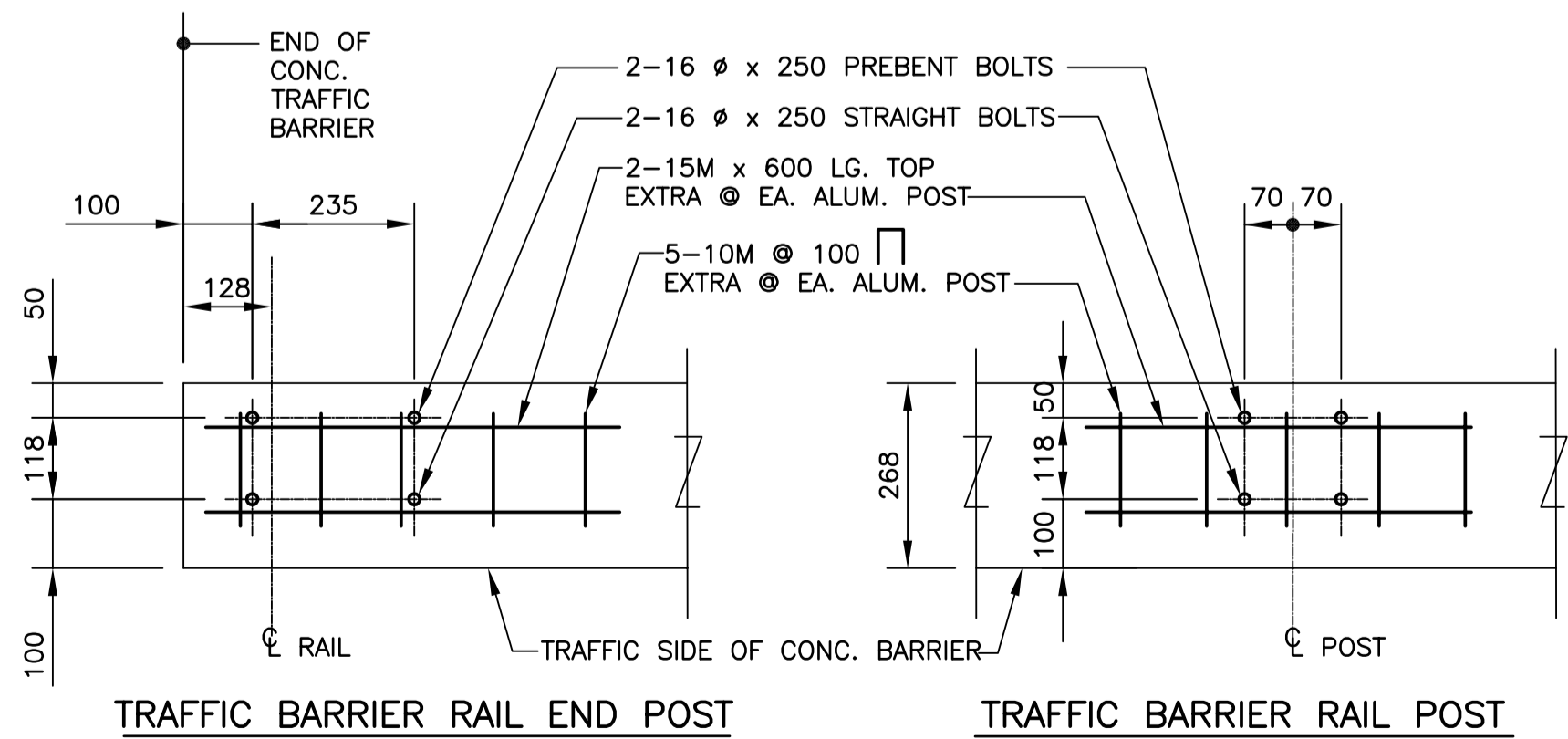
NORTHBOUND CURB LANE BARRIER ELEVATION
1 : 75 (LOOKING EAST)

REPAIR LEGEND	APPROX. AREA
	TYPE 1 REPAIR
	TYPE 2 REPAIR
	BARRIER LOCATION NO.



NORTHBOUND MEDIAN LANE BARRIER 50 ELEVATION
1 : 75 (LOOKING WEST)

- NOTES:**
- REPAIRS PREDOMINATELY ALONG NORTHBOUND CURB LANE BARRIER. NORTHBOUND MEDIAN LANE REPAIRS AT BARRIER 50.
 - DIMENSIONS SHOWN OF REPAIR AREAS ARE APPROXIMATE. LAYOUT ACTUAL REPAIR AREAS WITH CONTRACT ADMINISTRATOR IN FIELD.
 - SEE SPECIFICATION FOR REPAIR PREPARATION & CONCRETE REPLACEMENT DETAILS.
 - PROVIDE MINIMUM 20MM DEEP SAWCUT AROUND ALL REPAIR AREAS.



B.M. ELEV. NO. REVISIONS DATE BY	DESIGNED BY: M.R.D. DRAWN BY: M.R.D. CHECKED BY: R.A.W. REVIEWED BY: R.A.W. SCALE: HORZ. AS SHOWN VERT.	 DILLON CONSULTING	 R. A. WIEBE JUNE 15/06 REGISTERED PROFESSIONAL ENGINEER	THE CITY OF WINNIPEG PUBLIC WORKS DEPARTMENT 2006 BRIDGE MAINTENANCE ST. VITAL BRIDGE CONCRETE REPAIRS	CITY DRAWING NUMBER B116-06-02
	AUTHORIZED BY: ORIGINAL SIGNED BY B. NEIRINCK, P.Eng. CITY BRIDGE ENGINEER				DATE: JUNE 2006