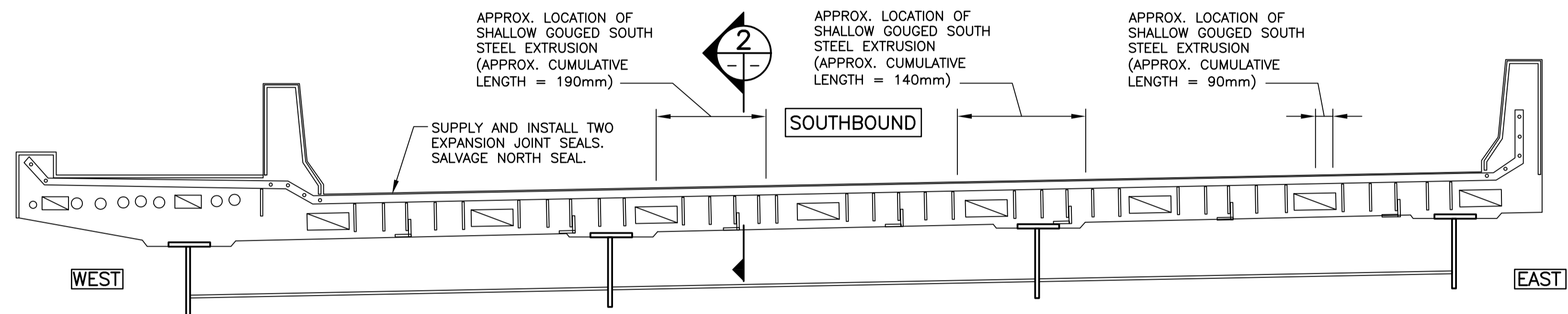
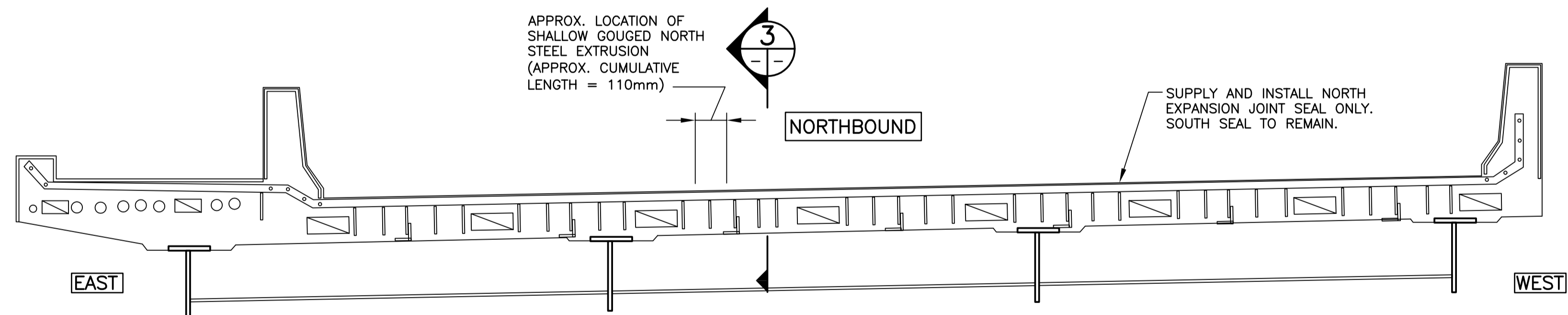


NORTH ABUTMENT EXPANSION JOINT ELEVATION 'A'-A'
(LOOKING NORTH)



SOUTH ABUTMENT EXPANSION JOINT ELEVATION 'B'-B'
(LOOKING NORTH)



NORTH ABUTMENT EXPANSION JOINT ELEVATION 'C'-C'
(LOOKING SOUTH)

NOTE:
REFER TO DWG. NO. B116-06-01
WHERE THE PLAN SHOWS
ELEVATION LOCATIONS

NOTES:

1. ORIGINAL STEEL EXTRUSION: GLACIER WSF-160.
2. ORIGINAL SEAL: GSH 141W. NEW SEALS SHALL FIT EXISTING EXTRUSION.
3. EACH EXPANSION JOINT STRIP SEAL SHALL BE INSTALLED AS ONE CONTINUOUS PIECE, TO THE SATISFACTION OF THE CONTRACT ADMINISTRATOR.
4. PROTECT EXISTING STRIP SEALS THAT ARE TO REMAIN FROM DAMAGE DURING EXTRUSION REPAIR OPERATIONS.
5. REMOVE AND SALVAGE THE EXISTING SOUTHBOUND, SOUTH ABUTMENT, NORTH SEAL.
6. AREAS OF SHALLOW GOUGED STEEL AS DETERMINED WITH THE CONTRACT ADMINISTRATOR TO BE REPAIRED BY FILLING WITH WELD MATERIAL AND GRINDING SMOOTH.
7. WELDING SHALL BE DONE IN ACCORDANCE WITH CSA W59, "WELDED STEEL CONSTRUCTION." COAT ALL WELDS AFTER INSTALLATION WITH FIELD-APPLIED GALVANIZING.

DESCRIPTION OF WORKS ON EXPANSION JOINT				
JOINT LOCATION	REPLACE EXPANSION JOINT STRIP SEAL	REPAIR DEEP GOUGED STEEL EXTRUSION	REPAIR SHALLOW GOUGED STEEL EXTRUSION	REMARKS
SOUTHBOUND NORTH ABUTMENT	NORTH & SOUTH		CENTRE	SEE SECTION 1 THIS SHEET
SOUTHBOUND SOUTH ABUTMENT	NORTH & SOUTH		SOUTH	SEE SECTION 2 THIS SHEET
NORTHBOUND NORTH ABUTMENT	NORTH		NORTH	SEE SECTION 3 THIS SHEET
NORTHBOUND SOUTH ABUTMENT	NORTH & SOUTH	NORTH		SEE SECTION 4 ON DWG. NO. B116-06-03B

B.M. ELEV.	DESIGNED BY: M.R.D.		
	DRAWN BY: M.R.D.		
	CHECKED BY: R.A.W.		
	REVIEWED BY: R.A.W.		
	SCALE: HORZ. AS SHOWN VERT.	DATE: JUNE 2006	
2 ISSUED FOR TENDER	06/06/15	NBG	
1 ISSUED FOR CITY REVIEW	06/06/13	MRD	
0 ISSUED FOR CITY REVIEW	06/05/19	MRD	
NO. REVISIONS	DATE	BY	CITY BRIDGE ENGINEER

ENGINEER'S SEAL
PROVINCE OF MANITOBA
ORIGINAL STAMPED BY
R. A. WIEBE
JUNE 15/06
REGISTERED PROFESSIONAL ENGINEER

THE CITY OF WINNIPEG
PUBLIC WORKS DEPARTMENT

Winnipeg

2006 BRIDGE MAINTENANCE
ST. VITAL BRIDGE

EXPANSION JOINT REPAIRS

CITY DRAWING NUMBER
B116-06-03A

SHEET **3** OF **4**

BID OPP NO.
353-2006

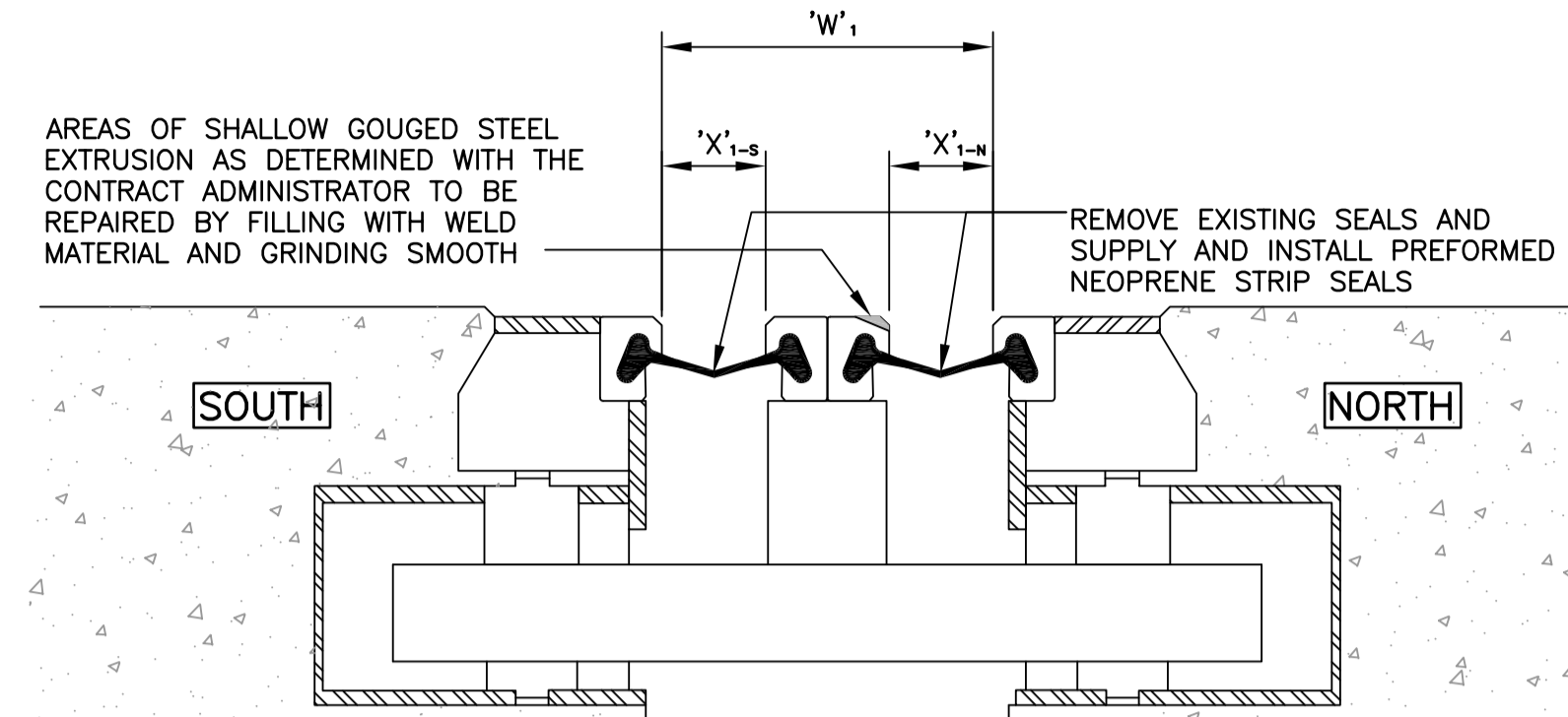
CONSULTANT PROJECT NO.
06-5919-1001

DETAILS 1 OF 2

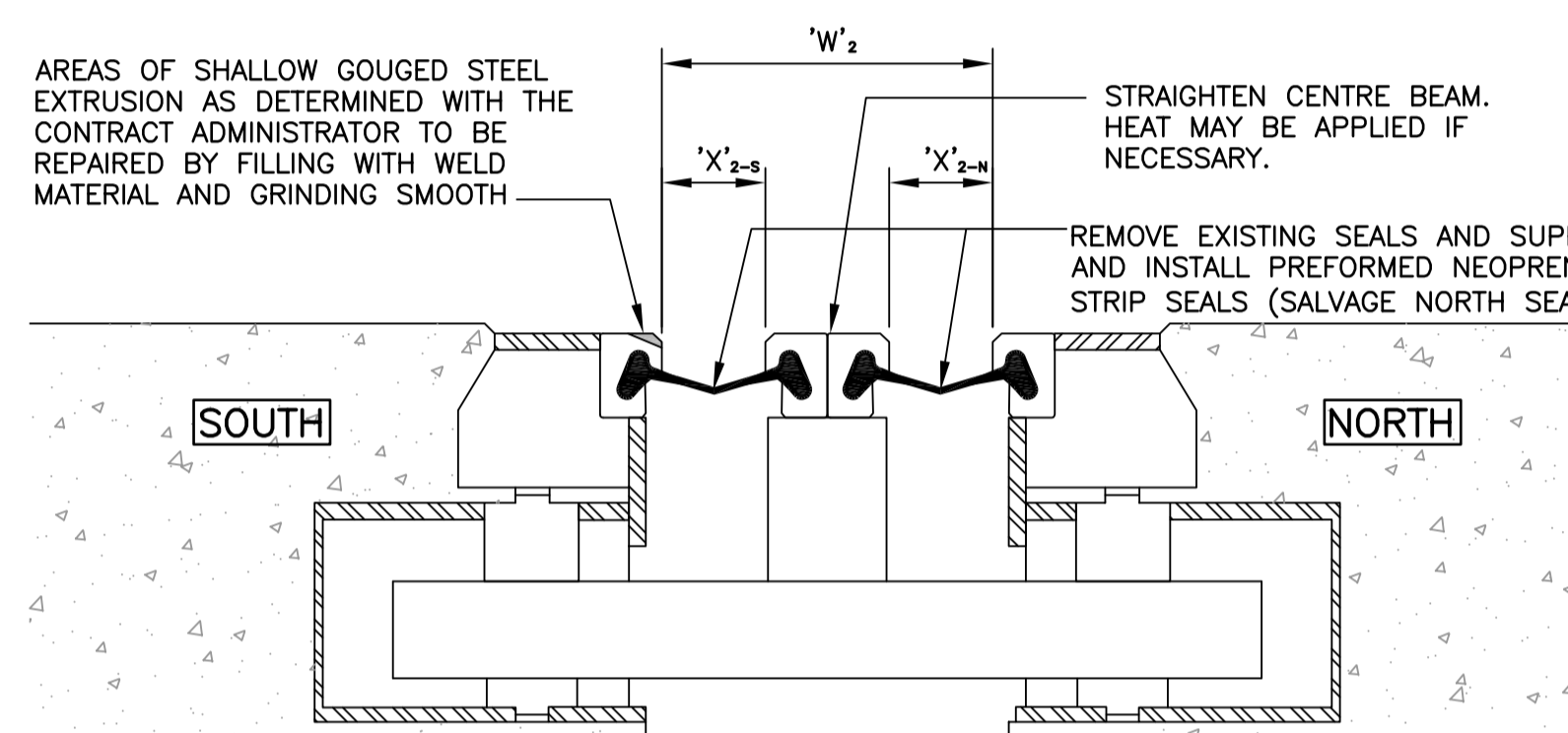
1988 EXPANSION JOINT DESIGN GAP		
SETTING TEMP.	'W'	'W'
	NORTH ABUT.	SOUTH ABUT.
-5°	234	235
0°	225	227
5°	217	220
10°	208	212
15°	200	204
20°	191	196
25°	183	188
30°	175	180
MIN.	150	150
MAX.	300	300

$$X' = \frac{W' - 70}{2}$$

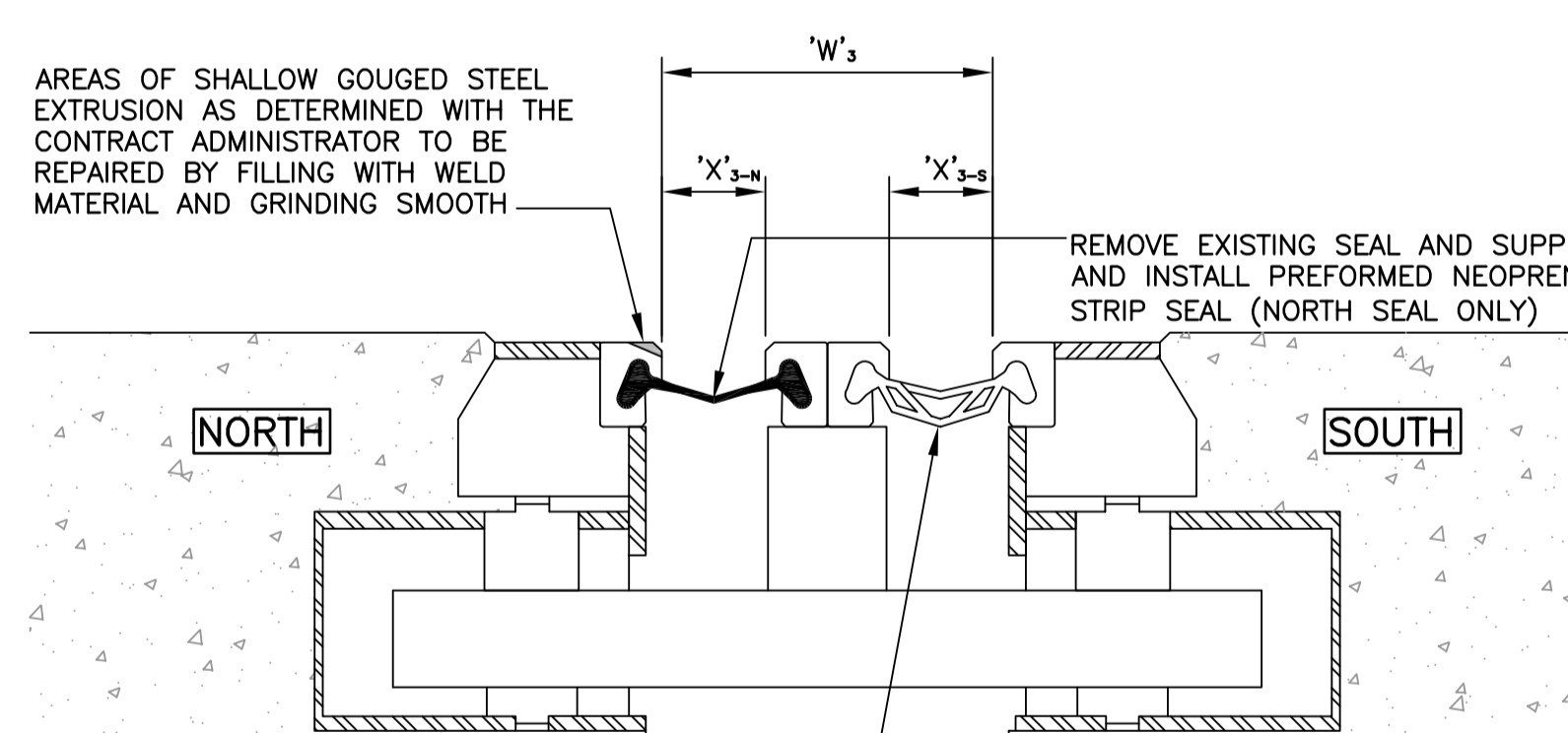
MAY 2006 EXPANSION JOINT GAP	
TEMP. DURING READINGS	12°C
'W' ₁	168
'X' _{1-s}	52
'X' _{1-n}	46
'W' ₂	FIELD MEASURE
'X' _{2-s}	FIELD MEASURE
'X' _{2-n}	FIELD MEASURE
'W' ₃	183
'X' _{3-s}	59
'X' _{3-n}	50



SECTION 1
N.T.S.



SECTION 2
N.T.S.



SECTION 3
N.T.S.