

1988 EXPANSION JOINT DESIGN GAP		
SETTING TEMP.	'W'	'W'
	NORTH ABUT.	SOUTH ABUT.
-5'	234	235
0'	225	227
5'	217	220
10'	208	212
15'	200	204
20'	191	196
25'	183	188
30'	175	180
MIN.	150	150
MAX.	300	300

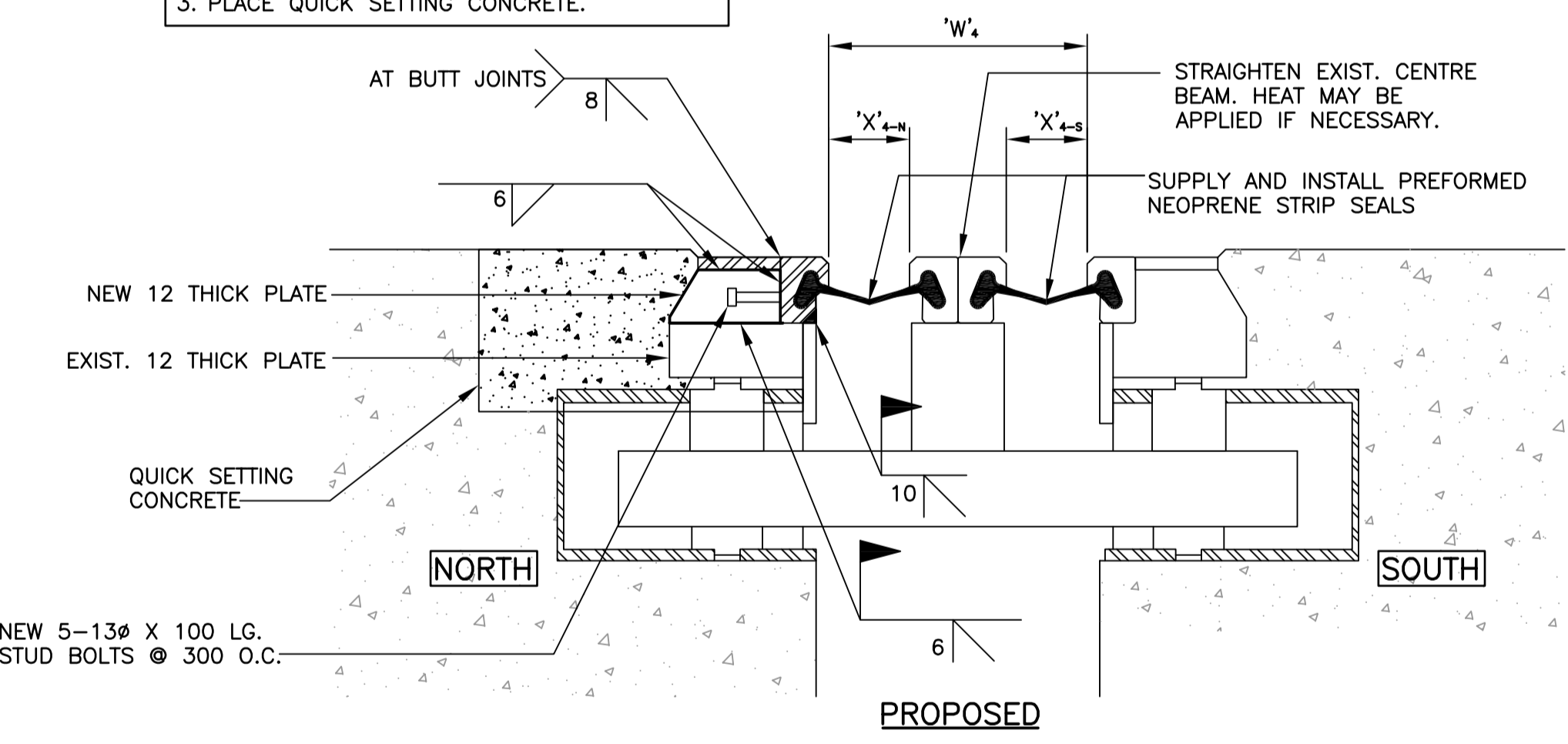
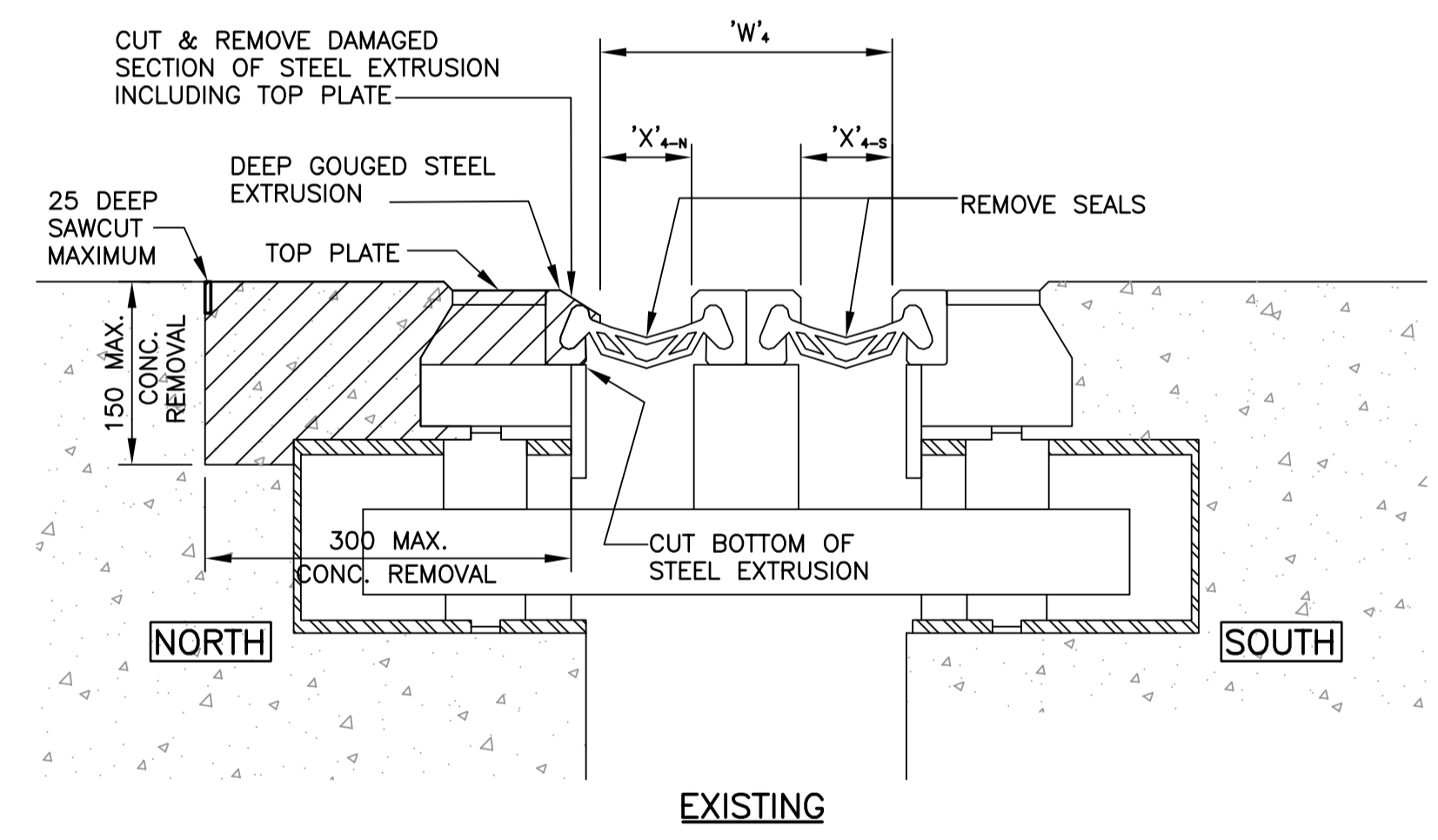
$$X = \frac{W - 70}{2}$$

MAY 2006 EXPANSION JOINT GAP	
TEMP. DURING READINGS	12°C
'W' ₄	210
'X' _{4-S}	65
'X' _{4-N}	73

NOTE:
REFER TO DWG. NO. B116-06-01
WHERE THE PLAN SHOWS
ELEVATION LOCATIONS

- DEEP GOUGED NORTH EXTRUSION REMOVAL METHOD:**
1. REMOVE CONCRETE. DO NOT DAMAGE EXISTING ANCHORS.
 2. REMOVE DAMAGED EXTRUSION AND TOP PLATE.
 3. CLEAN REPAIR AREA FREE OF DUST AND DEBRIS.

- DEEP GOUGED EXTRUSION REPAIR METHOD:**
1. SUPPLY AND INSTALL NEW SECTION OF STEEL EXTRUSION C/W TOP PLATE.
 2. GALVANIZE ALL WELDS.
 3. PLACE QUICK SETTING CONCRETE.



SECTION **4**
N.T.S.

- NOTES:**
1. ORIGINAL STEEL EXTRUSION: GLACIER WSF-160.
 2. ORIGINAL SEAL: GSH 141W. NEW SEALS SHALL FIT EXISTING EXTRUSION.
 3. EACH EXPANSION JOINT STRIP SEAL SHALL BE INSTALLED AS ONE CONTINUOUS PIECE, TO THE SATISFACTION OF THE CONTRACT ADMINISTRATOR.
 4. PROTECT EXISTING STRIP SEALS THAT ARE TO REMAIN FROM DAMAGE DURING EXTRUSION REPAIR OPERATIONS.
 5. REMOVE AND SALVAGE THE EXISTING SOUTHBOUND, SOUTH ABUTMENT, NORTH SEAL.
 6. AREAS OF SHALLOW GOUGED STEEL AS DETERMINED WITH THE CONTRACT ADMINISTRATOR TO BE REPAIRED BY FILLING WITH WELD MATERIAL AND GRINDING SMOOTH.
 7. WELDING SHALL BE DONE IN ACCORDANCE WITH CSA W59, "WELDED STEEL CONSTRUCTION." COAT ALL WELDS AFTER INSTALLATION WITH FIELD-APPLIED GALVANIZING.

B.M. ELEV.	DESIGNED BY: M.R.D.		
	DRAWN BY: M.R.D.		
	CHECKED BY: R.A.W.		
	REVIEWED BY: R.A.W.		
	SCALE: HORZ. AS SHOWN VERT.	DATE: JUNE 2006	
2 ISSUED FOR TENDER 06/06/15 NRG	AUTHORIZED BY: B. NEIRINCK, P.Eng.		DATE: JUNE 15/06
1 ISSUED FOR CITY REVIEW 06/06/13 MRD	CITY BRIDGE ENGINEER		CONSULTANT PROJECT NO. 06-5919-1001
0 ISSUED FOR CITY REVIEW 06/05/19 MRD			
NO. REVISIONS	DATE	BY	

THE CITY OF WINNIPEG
PUBLIC WORKS DEPARTMENT

2006 BRIDGE MAINTENANCE
ST. VITAL BRIDGE

EXPANSION JOINT REPAIRS

CITY DRAWING NUMBER
B116-06-03B

SHEET **4** OF **4**

BID OPP NO.
353-2006

DETAILS 2 OF 2