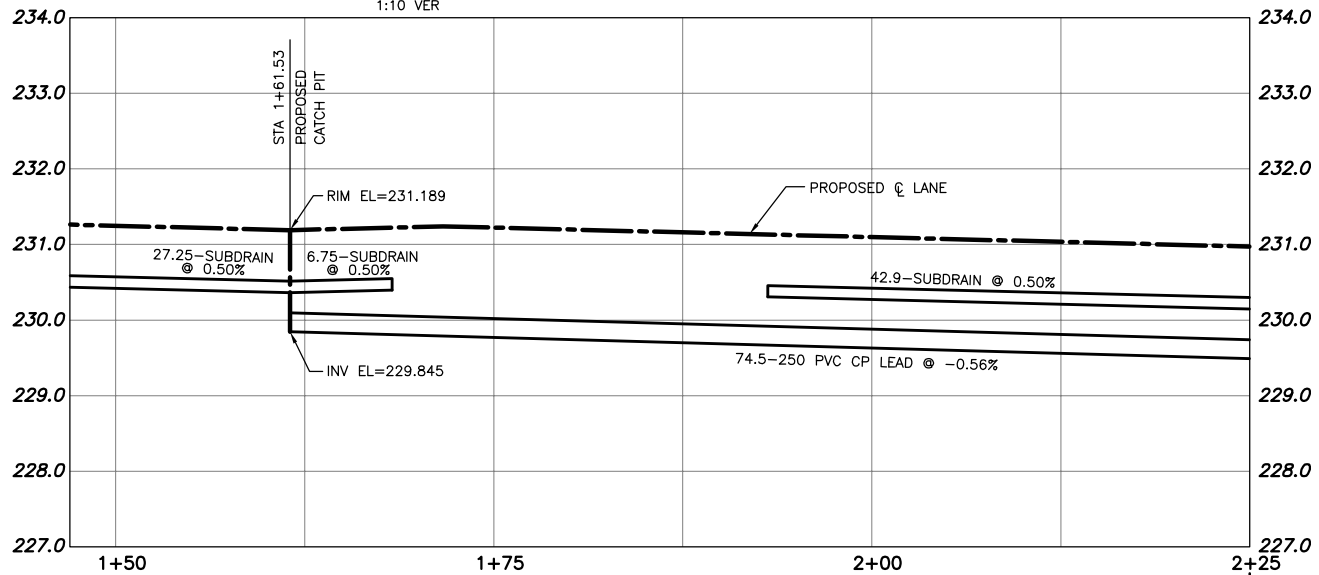
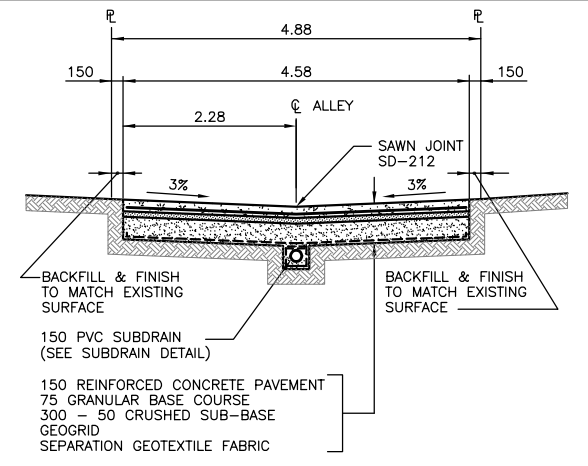


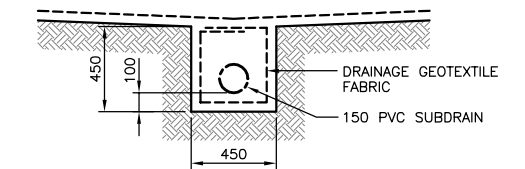
LANE PAVEMENT PROFILE
SCALE: 1:250 HOR
1:10 VER



CATCH PIT & CATCH PIT LEAD PROFILE
SCALE: 1:250 HOR
1:50 VER

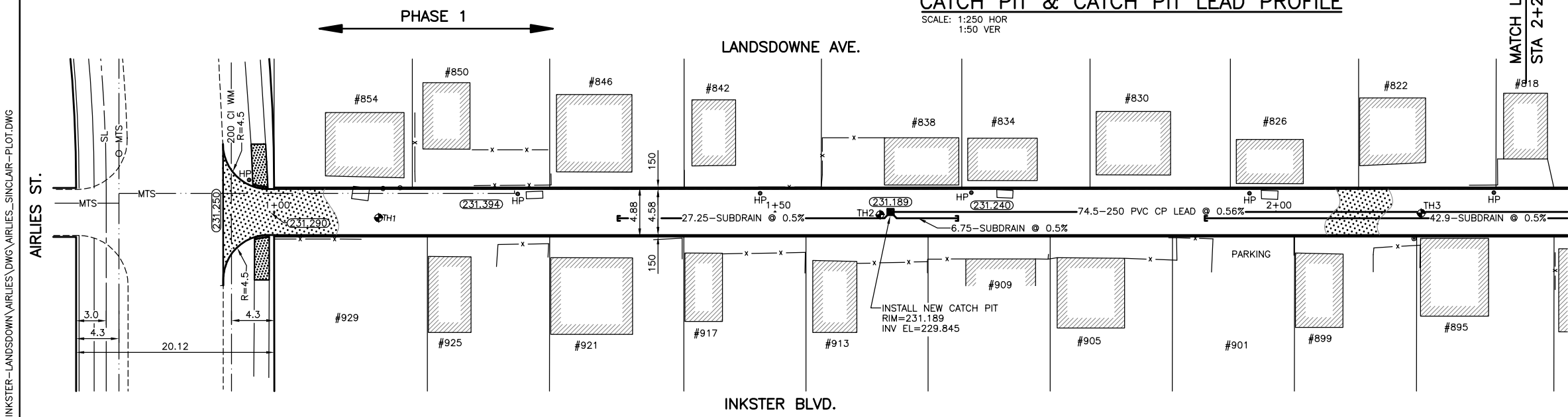
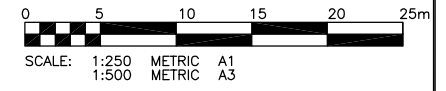


TYPICAL CROSS SECTION
SCALE: 1:50



SUBDRAIN DETAIL
SCALE: 1:20

- NOTE:**
1. STATION CHAINAGE IS BASED ON CENTERLINE OF ALLEY RIGHT OF WAY.
 2. ADJUST MH AND CB RIMS TO NEW GRADES.
 3. PLUG SUBDRAINS AT TERMINAL ENDS.
 4. REGRADE EXISTING PRIVATE SIDEWALKS AS REQUIRED.
 5. INSTALLATION OF LIP CURBS AND THEIR EXTENTS TO BE DETERMINED BY THE CONTRACT ADMINISTRATOR
 6. LIGHT STANDARDS, HYDRO POLES AND ANCHORS MAY REQUIRE TEMPORARY SUPPORT/REMOVAL OR REPLACEMENT AT THE CONTRACTOR'S EXPENSE.
 7. ISOLATE ALL POLES, BASES AND PILES WITHIN ALLEY RIGHT OF WAY (SD-228C)
 8. AVOID DAMAGE TO EXISTING TREES WITHIN THE LIMITS OF CONSTRUCTION.



LANE PAVEMENT PLAN
SCALE: 1:250 HOR

300 LBS	LAND DRAINAGE SEWER	300 LBS							
250 WWS	WASTE WATER SEWER	250 WWS	+	TEST HOLE					
---	GAS	---	-	GUY WIRE					
---	HYDRO	---	-	LIGHT STANDARD					
---	M.T.S.	---	-	BACK OF CURB					
---	WATERMAIN	---	-	CONCRETE					
+	HYDRANT	+	+	ASPHALT					
o	VALVE	o	o	SIDEWALK					
o	MANHOLE	o	o	PROPERTY LINE					
□	CATCH BASIN	□	□	SURVEY BAR					
▽	CURB INLET	▽	▽	GEODETIC BENCHMARK					
•	POLES	•	•	ELEVATION					
EXISTING	LEGEND-PLAN	PROPOSED	EXISTING	LEGEND-PLAN	PROPOSED	EXISTING	LEGEND-PROFILE	PROPOSED	

LOCATION APPROVED UNDERGROUND STRUCTURES

SUPV. U/G STRUCTURES COMMITTEE DATE

NOTE:
LOCATION OF UNDERGROUND STRUCTURES AS SHOWN ARE BASED ON THE BEST INFORMATION AVAILABLE BUT NO GUARANTEE IS GIVEN THAT ALL EXISTING UTILITIES ARE SHOWN OR THAT THE GIVEN LOCATIONS ARE EXACT. CONFIRMATION OF EXISTENCE AND EXACT LOCATION OF ALL SERVICES MUST BE OBTAINED FROM THE INDIVIDUAL UTILITIES BEFORE PROCEEDING WITH CONSTRUCTION.

B.M. 26-003	ELEV. 230.992m	BOLT IN 14.3m CONC. PILE, 2.2m S. OF N.L. OF INKSTER BLVD. ON LINE WITH W.L. OF AIRLES ST.	
DESIGNED BY	RO	CHECKED BY	CR
DRAWN BY	DW	APPROVED BY	
0	ISSUED FOR TENDER	06/05/25	CR
A	ISSUED FOR REVIEW	06/04/28	CR
NO.	REVISIONS	DATE	BY

KGS GROUP CONSULTING ENGINEERS & PROJECT MANAGERS
WINNIPEG (204) 896-1209 THUNDER BAY (807) 345-2233

ENGINEER'S SEAL
M.C. ROWBOTHAM Member 22679

DESIGNED BY: RO, CHECKED BY: CR
DRAWN BY: DW, APPROVED BY: [Signature]
HOR. SCALE: 1:250, VERTICAL: 1:50
RELEASSED FOR CONSTRUCTION: [Date]
DATE: 09/02/06

THE CITY OF WINNIPEG
PUBLIC WORKS DEPARTMENT
ENGINEERING SERVICES DIVISION

PROJECT TITLE: **2006 ALLEY RENEWAL PROGRAM**
INKSTER BLVD/LANSDOWNE AVE ALLEY
AIRLIES ST. TO SINCLAIR ST.
STA. 0+94.71 TO STA. 2+25.0

SHEET 09 OF 14
COMPUTER FILE NAME: 06-0107-05
CITY DRAWING NUMBER: 0009

CONSULTANT DRAWING NO. **06-0107-05**

WARNING
IF POWER EQUIPMENT OR EXPLOSIVES ARE TO BE USED FOR EXCAVATION ON THIS PROJECT THE CONTRACTOR MUST:
1) NOTIFY THE GAS COMPANY OF THE PROPOSED LOCATION OF EXCAVATION.
2) TAKE PRECAUTION TO AVOID DAMAGE TO GAS COMPANY INSTALLATIONS.
SEE PROVINCIAL REGULATION 210/72 FOR DETAILS.

METRIC
WHOLE NUMBERS INDICATE MILLIMETRES
DECIMALIZED NUMBERS INDICATE METRES

P:\PROJ\2006\06-107-05\MUN\DWGS\INKSTER-LANSDOWNE\AIRLIES\INKSTER-SINCLAIR-PLAN.PLOT.DWG