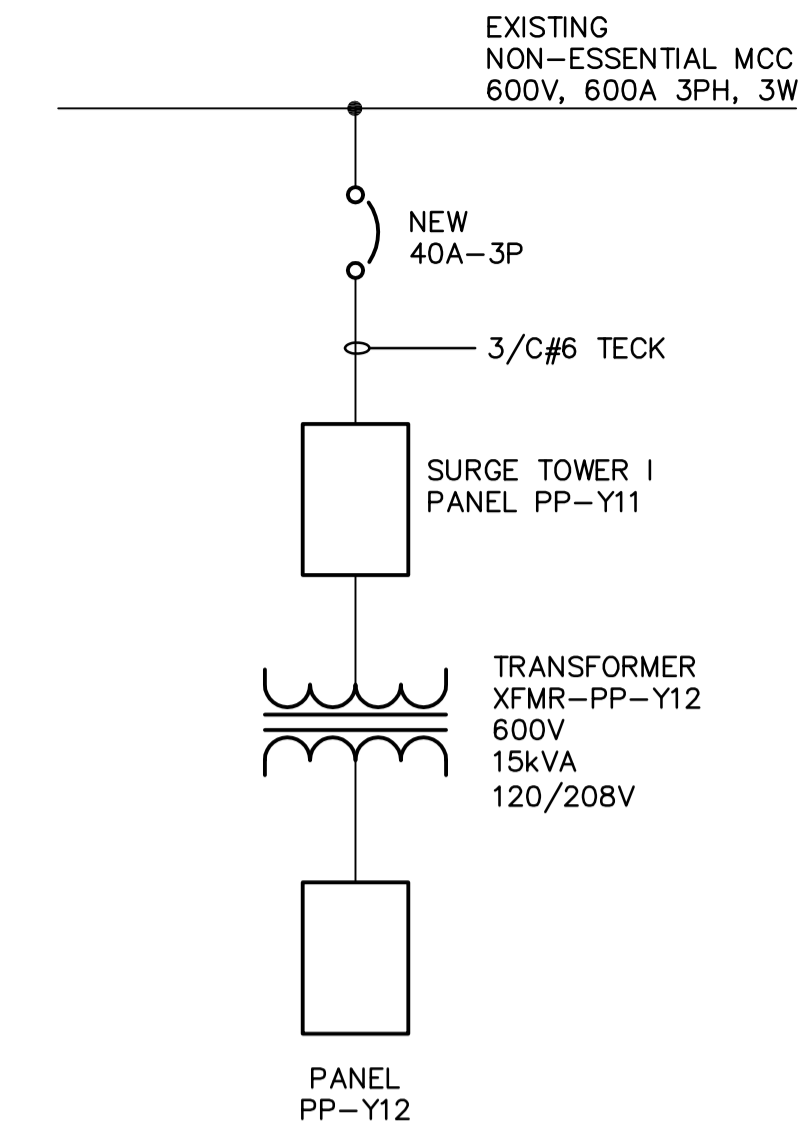


SITE PLAN
SCALE: 1:250

- NOTES:**
- APPROXIMATE LOCATION OF EXISTING ELECTRICAL SERVICE CABLE FOR EXISTING TRAILER TO BE RELOCATED. POWER CAN BE USED BY CONTRACTOR DURING CONSTRUCTION. CABLE AND SUPPORTS BACK TO PANELBOARD SHALL BE REMOVED AT COMPLETION. RESTORE TRENCH SURFACES AFTER CABLE REMOVAL. REFER TO DRAWING CM-G003 AND CLAUSE E14 IN SPECIFICATIONS.
 - TERMINATE 6PR #16 SHIELDED INSTRUMENTATION TECK AND 15/C #14 TECK FROM TJB-Y11 IN TJB-Y21.
 - TERMINATE 4/C #14 TECK IN MAIN CONTROL PANEL.
 - PROVIDE SUFFICIENT CABLE IN DRV-305 FOR CONNECTION OF VALVE ACTUATOR AND FLOOD SWITCH. FINAL TERMINATION BY OTHERS. PROTECT CABLE FROM DAMAGE DUE TO WET ENVIRONMENT.

| LUMINAIRE SCHEDULE | | | | | | | |
|--------------------|-------------------|--|---------|-----|------------------------|-----------------|---|
| Type | Manufacturer | Catalogue No. | Voltage | No. | Type | Mounting | Remarks |
| 1 | Cooper Lighting | MPEH-R22-PL-250-120V-FL-1-PHC-TPPH-120V c/w 250W MH Lamp | 120 | 1 | 250W MH | Pendant Mounted | Provide safety chain option "SC" |
| 2 | Cooper Lighting | MPEH-R22-PL-250-120V-FL-1-PHC-TPPH-120V-Q c/w 250W MH Lamp & Aux. Quartz lamp | 120 | 1 | 250W MH 100W Quartz | Pendant Mounted | Provide safety chain option "SC" |
| 3 | Cooper Lighting | ENV 150 MH 120 EB FTP BZ | 120 | 1 | 150W HPS | Wall Mounted | Install 500mm above door frame |
| 4 | Cooper Lighting | IC VW 1 G | 120 | 1 | 200W A21 | Wall Mounted | |
| 5 | Lithonia Lighting | LV S BW 1 R 120 LDC12 CSA 4X | 120 | | LED | Wall mounted | 200mm above door frame |
| 6 | Lithonia Lighting | ELU4X-WL-2H1212-VM-LD | 120V/ | 2 | 12V Halogen | Wall Mounted | Provide cabtire cable (1 metre) with twistlock receptacle |
| 7 | | | 12V DC | | | | |
| 8 | Lithonia Lighting | ELA-T-H1212 | 12V DC | 2 | 12V Halogen | Wall Mounted | |



DBPS PARTIAL SINGLE LINE DIAGRAM
SCALE: NTS

| PANEL SCHEDULE | | | | | | | | | | |
|-------------------------|-------|-----|-----|---|---|---|-----|-----|------|-------------------------|
| Panel PP-Y11 | | | | | | | | | | |
| DESCRIPTION | LOAD | BKR | CCT | A | B | C | CCT | BKR | LOAD | DESCRIPTION |
| TRANSFORMER XFMR-PP-Y12 | 15kVA | 20 | 1 | * | | | 2 | 15A | | Actuator Valve FV-Y011A |
| | | 3P | 3 | | * | | 4 | | 3P | |
| | | | 5 | | * | | 6 | | | |
| TVSS | | 30 | 7 | * | | | 8 | | | |
| | | 3P | 9 | * | | | 10 | | | |
| | | | 11 | * | | | 12 | | | |
| | | 15 | 13 | * | | | 14 | | | |
| | | 15 | 15 | * | | | 16 | | | |
| Spare | | 15 | 17 | * | | | 18 | | | |
| Spare | | 15 | 19 | * | | | 20 | 40A | | Main Breaker |
| Space | | - | 21 | * | | | 22 | 3P | | |
| Space | | - | 23 | * | | | 24 | | | |

Voltage: 600/347V/3Ø/3 wire Feeder: 3/C#6
 Mains: 225A Main Breaker: 40A-3P
 Location: Surge Tower Electrical Room Power Source: DBPS
 Mounting: Surface

| PANEL SCHEDULE | | | | | | | | | | |
|-------------------------------|-------|-----|-----|---|---|---|-----|-----|------|------------------------|
| Panel PP-Y12 | | | | | | | | | | |
| DESCRIPTION | LOAD | BKR | CCT | A | B | C | CCT | BKR | LOAD | DESCRIPTION |
| Lighting | 1000W | 15 | 1 | * | | | 2 | 15 | 2 | Receptacle |
| Lighting | 1200W | 15 | 3 | * | | | 4 | 15 | 1 | Receptacle |
| Lighting - Electrical Room | 200W | 15 | 5 | * | | | 6 | 15 | 2 | Receptacle |
| Lighting - Exterior | 300W | 15 | 7 | * | | | 8 | 15 | | Spare |
| Air Relief Vent Grate Heating | 600W | 15 | 9 | * | | | 10 | 20 | 5kW | Electrical Room Heater |
| Air Relief Vent Grate Heating | 400W | 15 | 11 | * | | | 12 | 3P | | 3/C#12 Teck |
| Spare | | 15 | 13 | * | | | 14 | | | |
| Spare | | 15 | 15 | * | | | 16 | 30 | | TVSS |
| Spare | | 15 | 17 | * | | | 18 | 3P | | |
| Spare | | 15 | 19 | * | | | 20 | | | |
| Space | | - | 21 | * | | | 22 | - | | Space |
| Space | | - | 23 | * | | | 24 | - | | Space |

Voltage: 120/208V/3Ø/4 wire Feeder: 3/C#6
 Mains: 225A Main Breaker: N/A
 Location: Surge Tower Electrical Room Power Source: Transformer XFMR-PP-Y12
 Mounting: Surface



| | | | |
|---------------|--------------------|-------------------------------|--------------|
| B.M. ELEV. | | | |
| DESIGNED BY | BLM | CHECKED BY | PS |
| DRAWN BY | ERC | APPROVED BY | AHL |
| SCALE: | AS SHOWN | RELEASED FOR CONSTRUCTION BY: | R.SOROKOWSKI |
| NO. REVISIONS | | DATE | 2006/05/03 |
| 01 | 37-2006 ADDENDUM 1 | 06/05/24 | ERC |
| 00 | ISSUED FOR TENDER | 06/05/03 | ERC |
| DATE | 6/02/17 | DATE | 2006/05/03 |

ENGINEER'S SEAL
ORIGINAL SIGNED BY
B.L. MOORE
2006/05/03

CONSULTANT DRAWING NO.
WY-E0110

THE CITY OF WINNIPEG
WATER AND WASTE DEPARTMENT
ENGINEERING DIVISION

WATER TREATMENT PLANT
YARD PIPING AND VALVE CHAMBERS
SURGE TOWER CONSTRUCTION

ELECTRICAL
SITE PLAN,
SCHEDULES AND DETAILS

CITY FILE NUMBER
SHEET OF
CITY DRAWING NUMBER
1-06011-A-E0110-001-01D