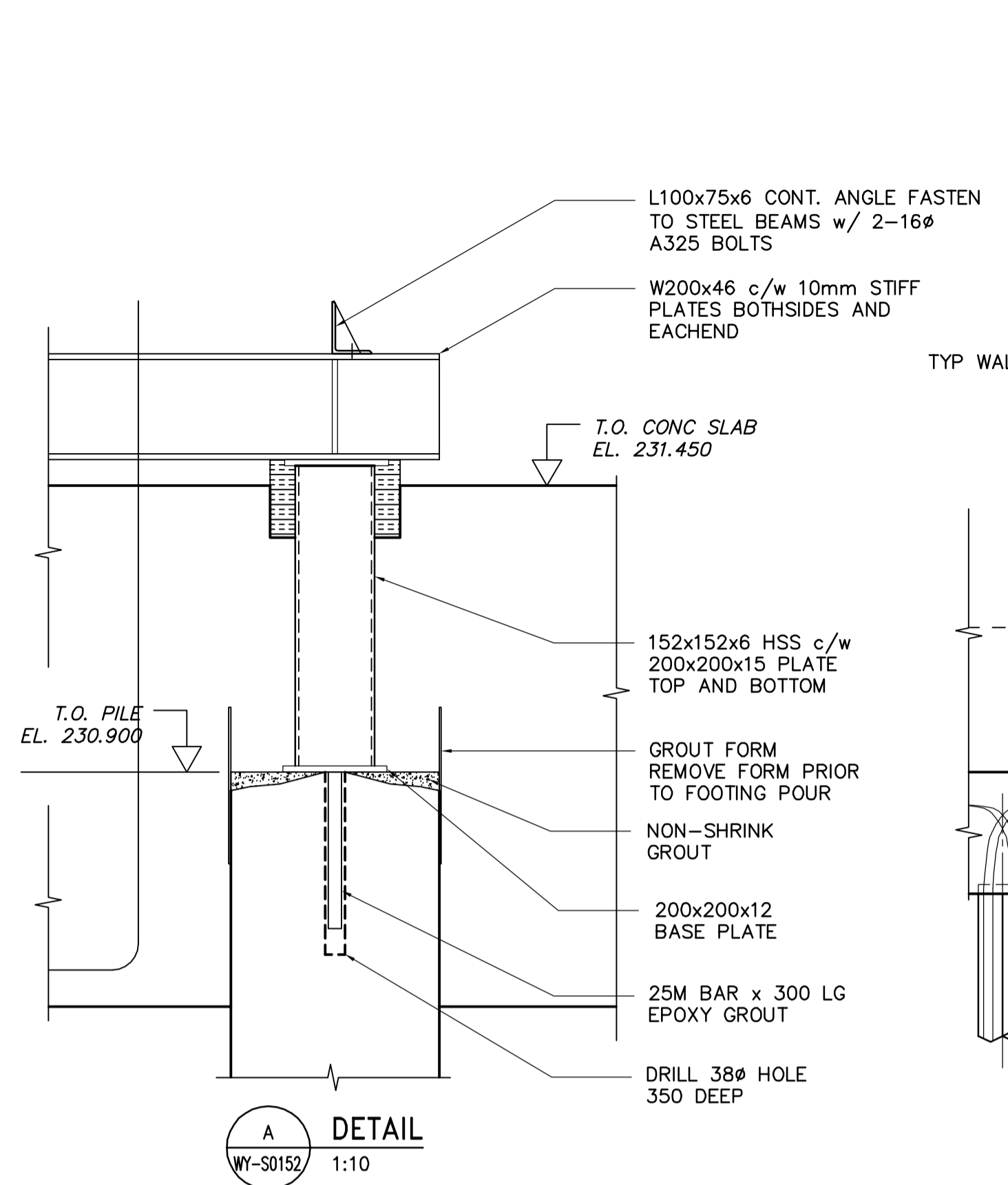
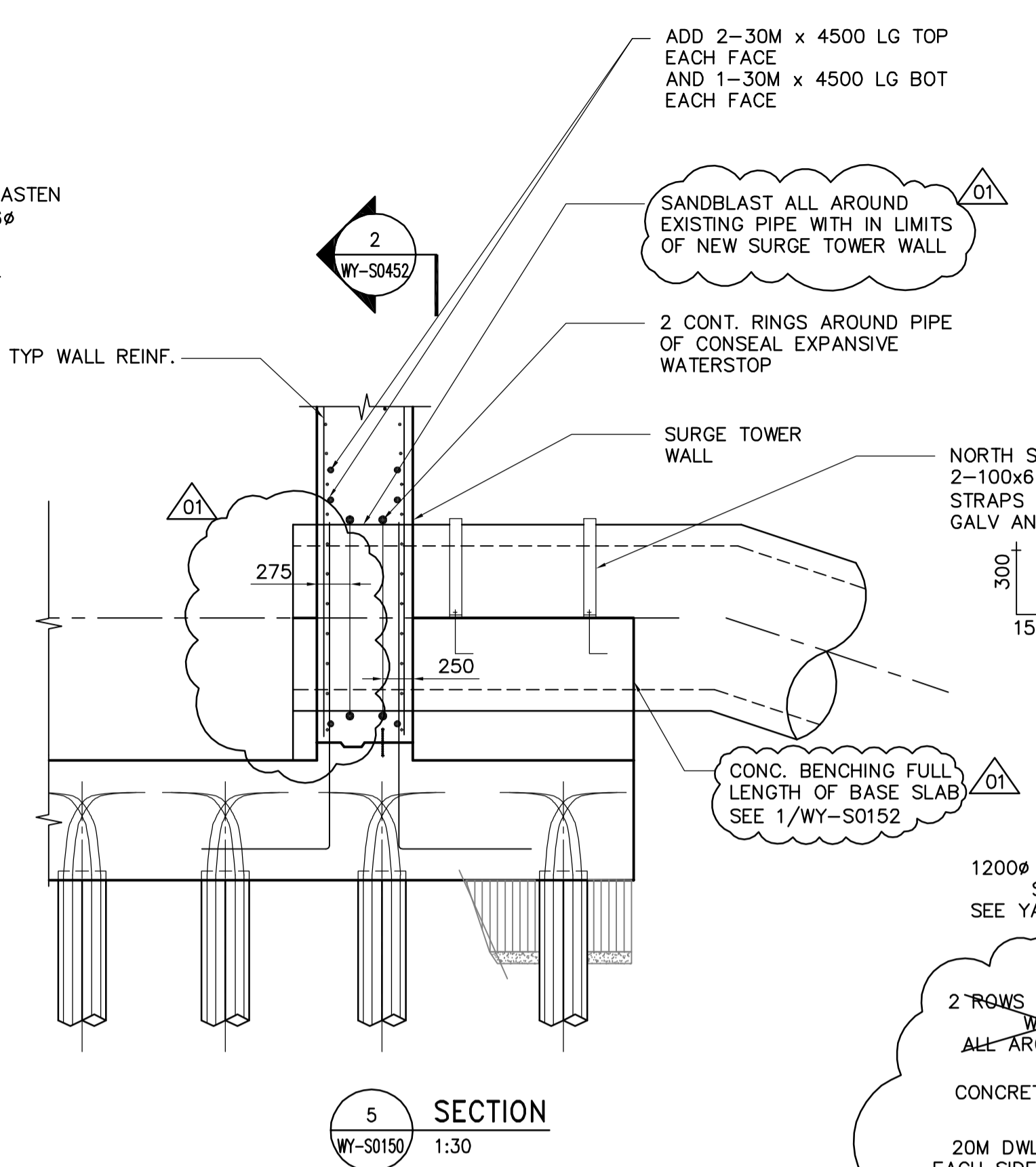


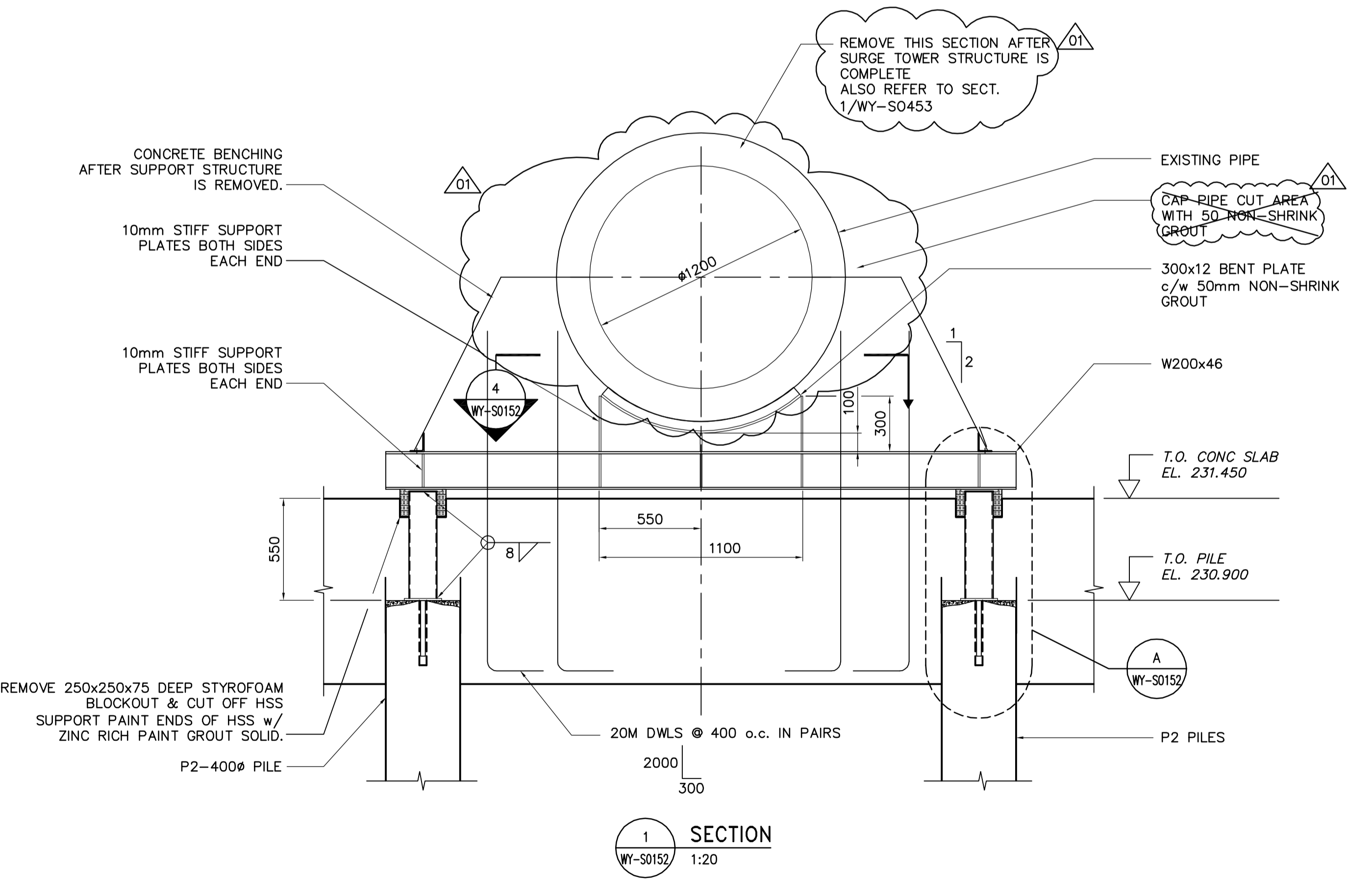
TEMPORARY PIPE SUPPORT PLAN FOR EXISTING PIPE
1:75



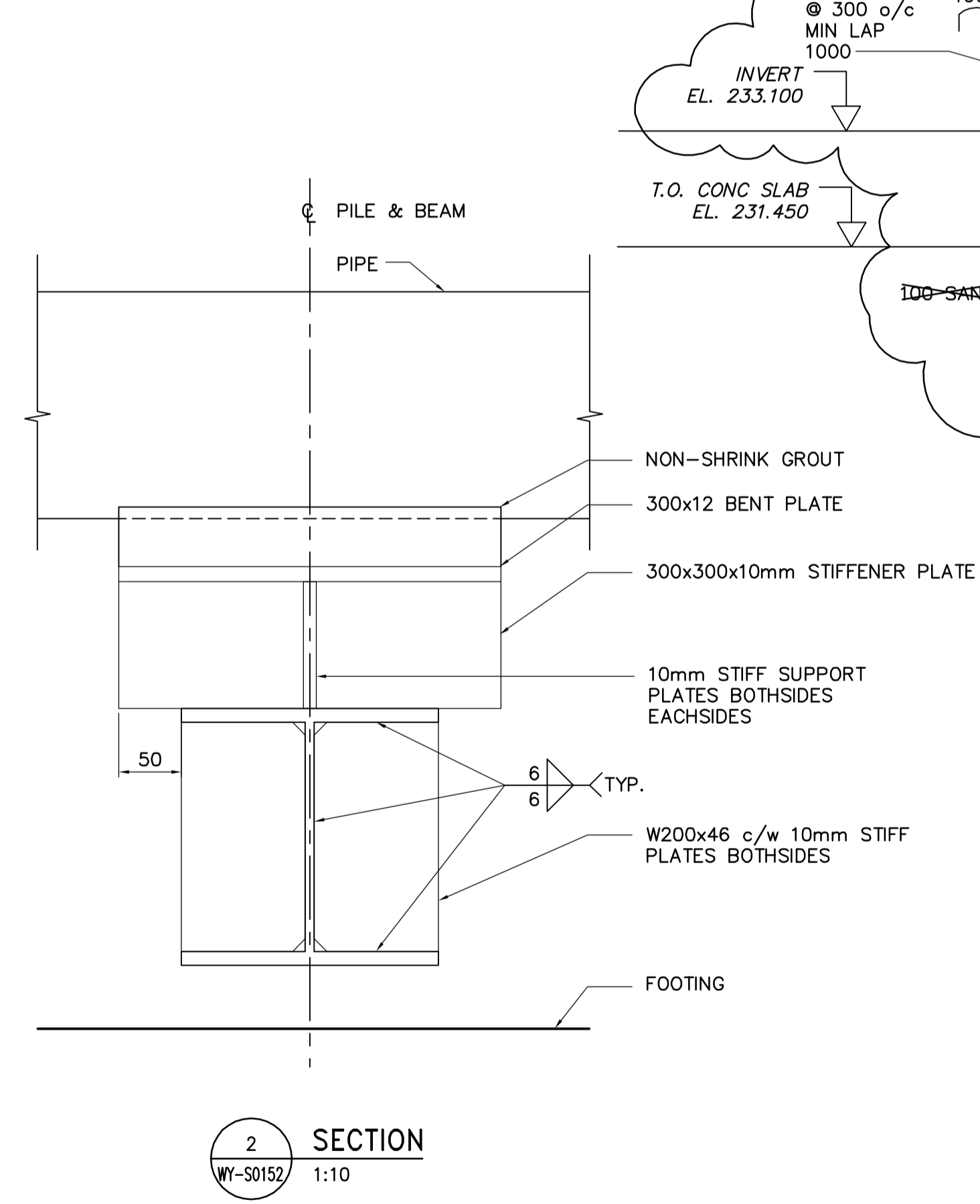
DETAIL
1:10



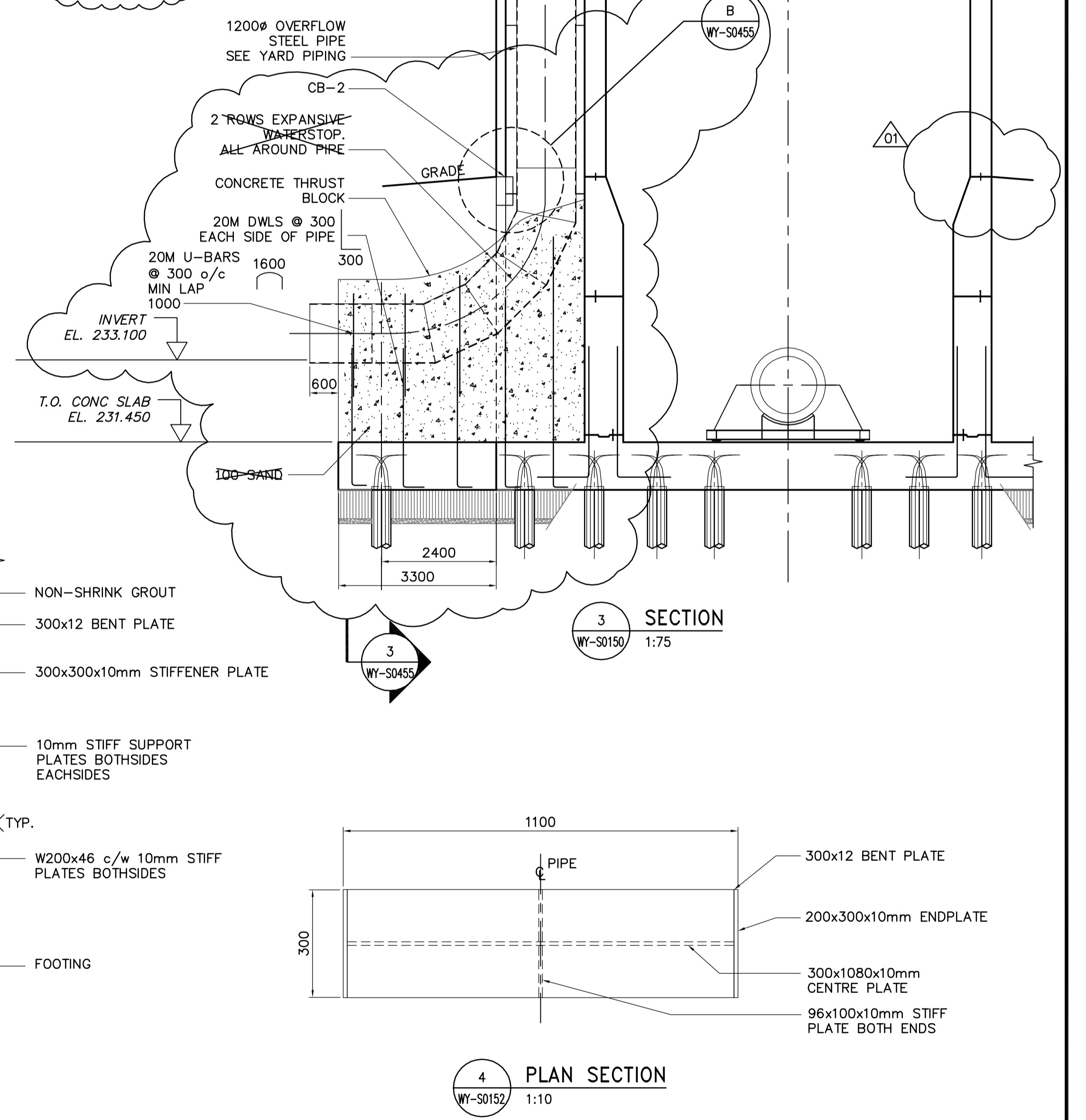
SECTION
1:30



SECTION
1:20



SECTION
1:10



SECTION
1:75

PLAN SECTION
1:10

<p>Certificate of Authorization Earth Tech Canada Inc. No. 730 Expiry: April 30, 2007</p>	B.M. ELEV.	<p>Frederickson Cooper ARCHITECTS</p>	<p>A Tech International Ltd. Company</p>	ENGINEER'S SEAL	<p>THE CITY OF WINNIPEG WATER AND WASTE DEPARTMENT ENGINEERING DIVISION</p>		
				DESIGNED BY FK		CHECKED BY GGP	ORIGINAL SIGNED BY F.A. KEMP
				DRAWN BY WDB		APPROVED BY AHL	2006/05/03
				SCALE: AS NOTED		RELEASED FOR CONSTRUCTION BY: R. SOROKOWSKI	CONSULTANT DRAWING NO. WY-S0152
	NO. REVISIONS	DATE	DATE	DATE	<p>WATER TREATMENT PLANT YARD PIPING AND VALVE CHAMBERS SURGE TOWER CONSTRUCTION</p> <p>STRUCTURAL PLAN, SECTION AND DETAIL</p>		
			2006/02/22	2006/05/03	<p>CITY FILE NUMBER</p> <p>SHEET OF</p> <p>CITY DRAWING NUMBER 1-0601Y-A-S0152-001-010</p>		