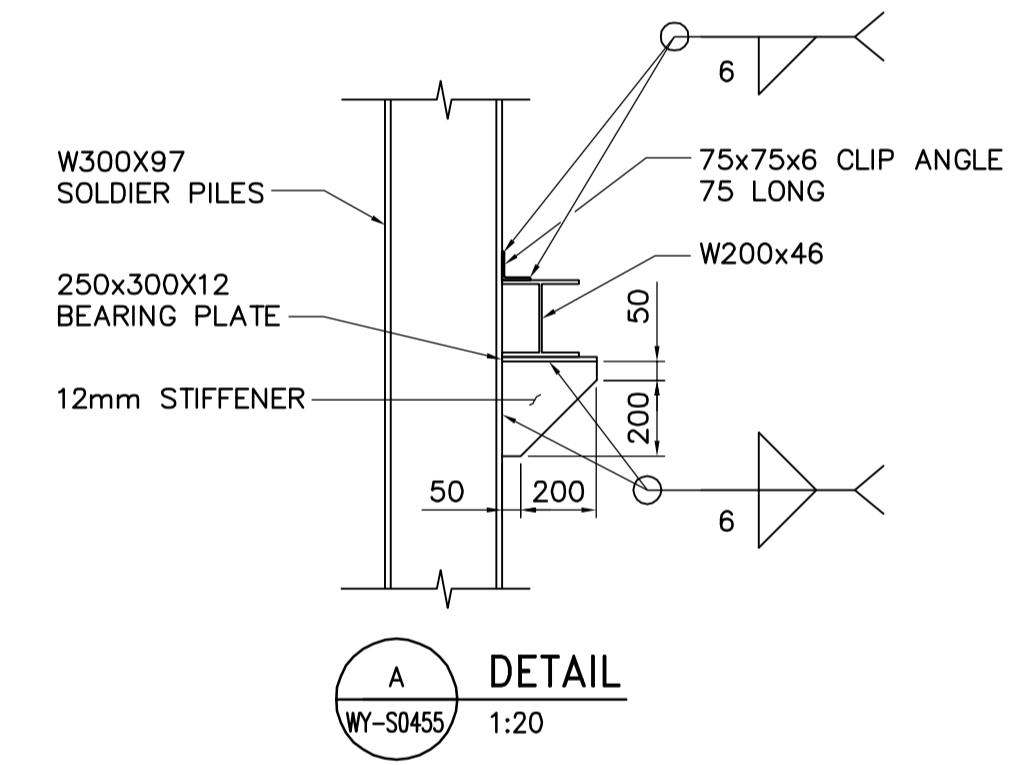
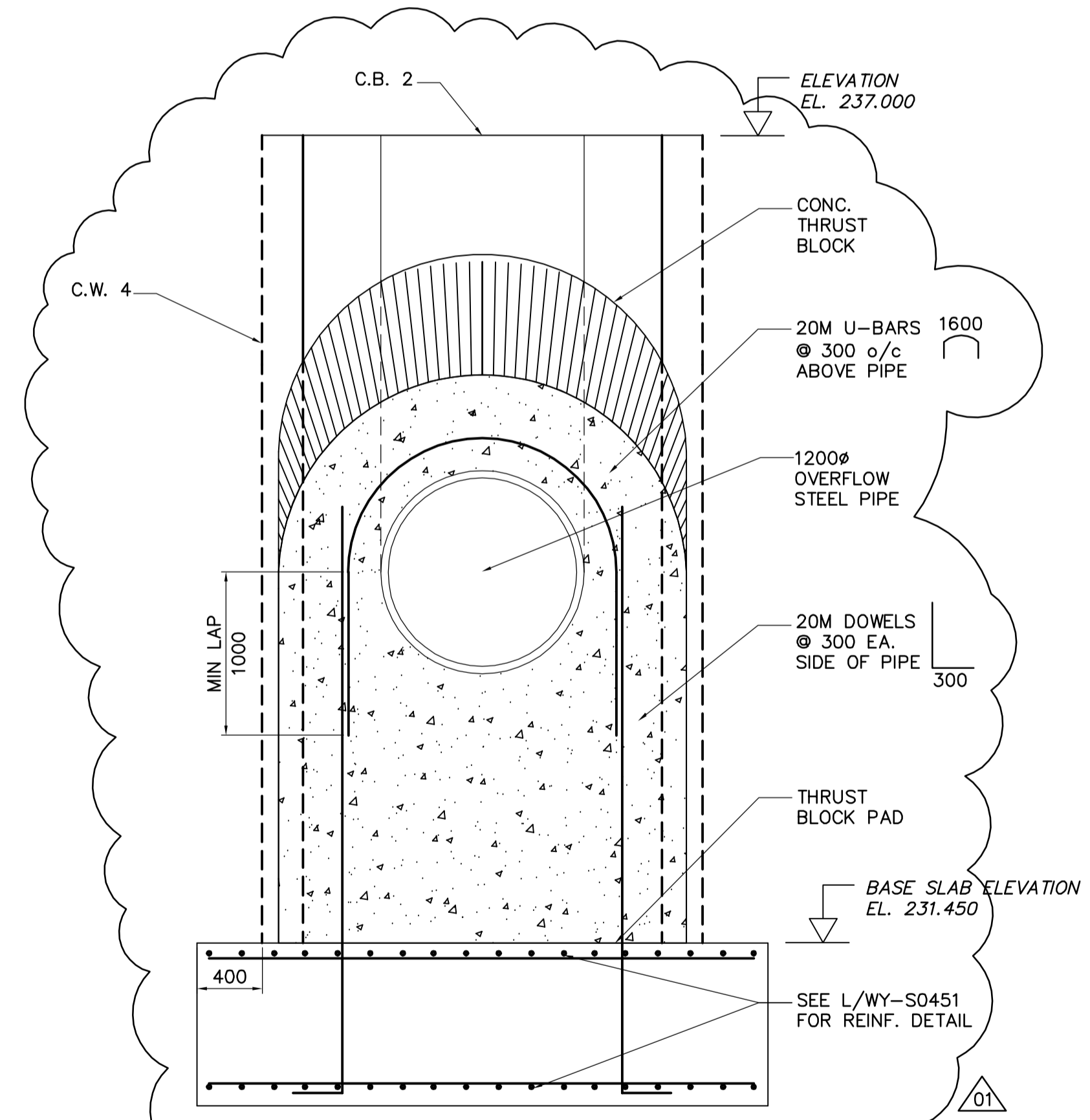


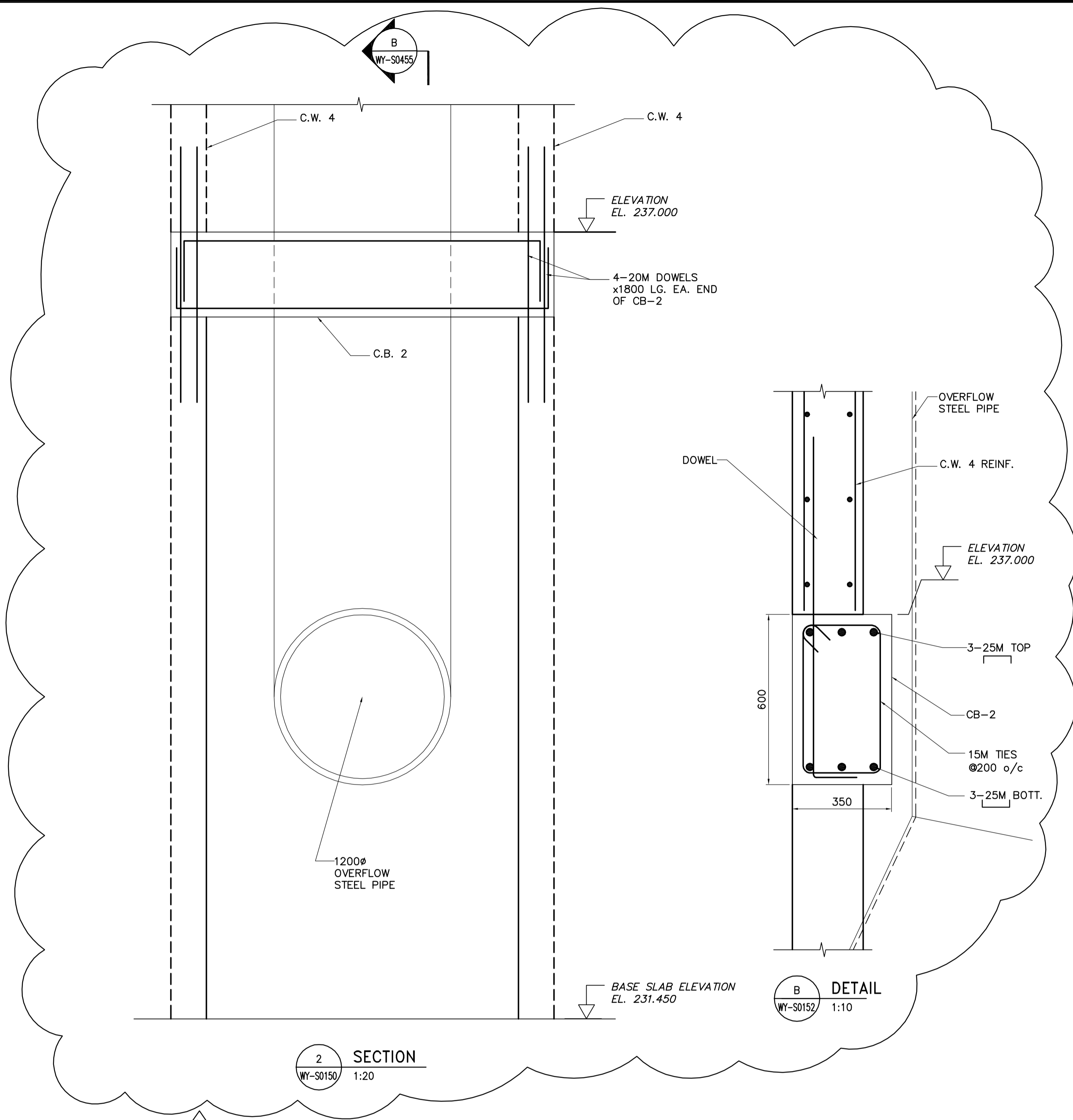
NOTE: AT SOUTH END  
**1 SECTION**  
 WY-S0453 1:20



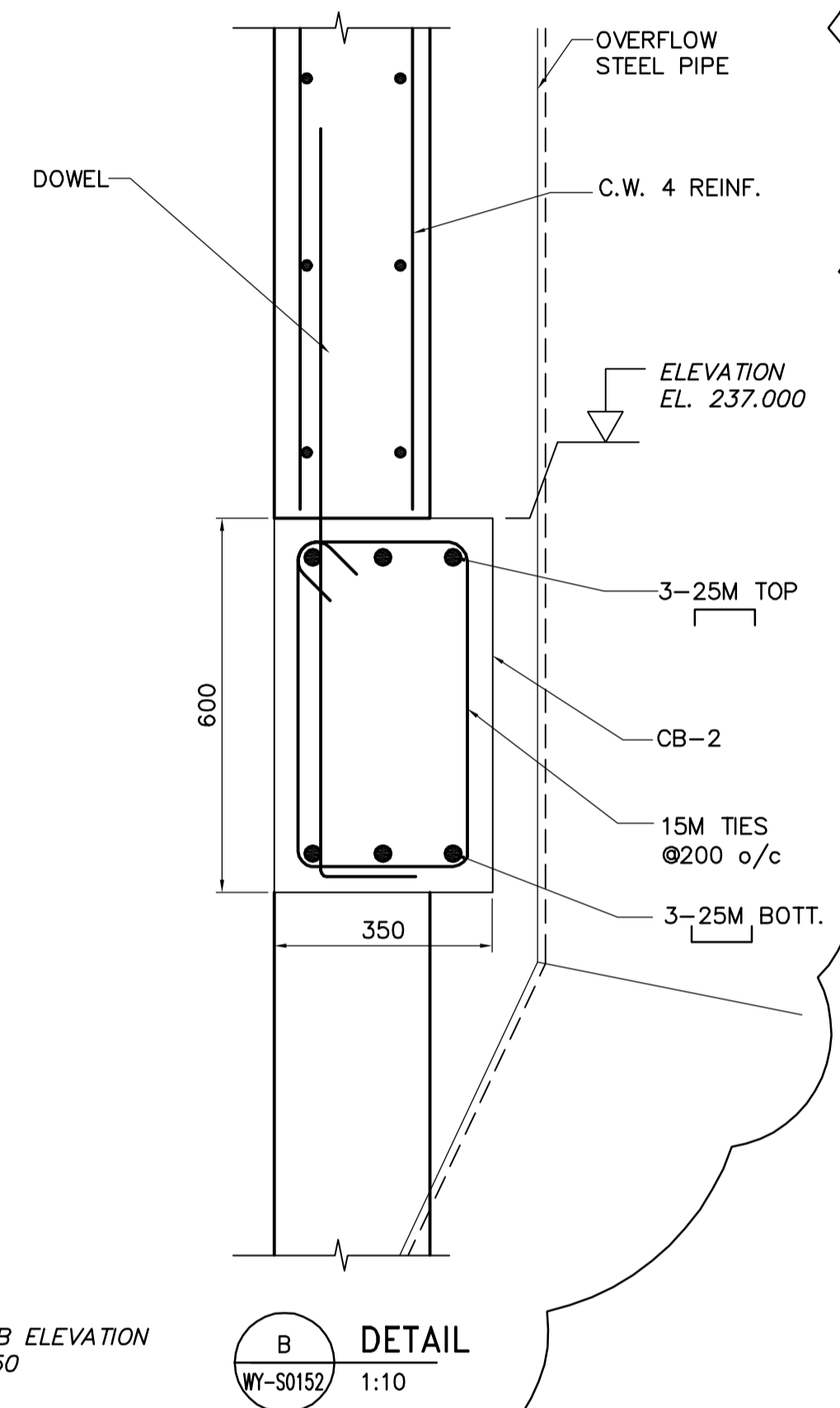
**A DETAIL**  
 WY-S0455 1:20



**3 SECTION**  
 WY-S0152 1:30



**2 SECTION**  
 WY-S0150 1:20



**B DETAIL**  
 WY-S0152 1:10

 Certificate of Authorization Earth Tech Canada Inc. No. 730 Expiry: April 30, 2007	B.M. ELEV.	 Frederickson Cooper ARCHITECTS	 A Tech International Ltd. Company	ENGINEER'S SEAL	 THE CITY OF WINNIPEG WATER AND WASTE DEPARTMENT ENGINEERING DIVISION		
				DESIGNED BY FK		CHECKED BY GGP	ORIGINAL SIGNED BY F.A. KEMP
				DRAWN BY KK		APPROVED BY AHL	2006/05/03
				SCALE: AS NOTED		RELEASED FOR CONSTRUCTION BY: R. SOROKOWSKI	CONSULTANT DRAWING NO. WY-S0455
	01 37-2006 ADDENDUM 1 06/05/24 NS				CITY FILE NUMBER		
	00 ISSUED FOR TENDER 06/05/03 KK				SHEET OF		
	NO. REVISIONS DATE BY	DATE 2006/02/08	DATE 2006/05/03		CITY DRAWING NUMBER		
					1-0601Y-A-S0455-001-01D		