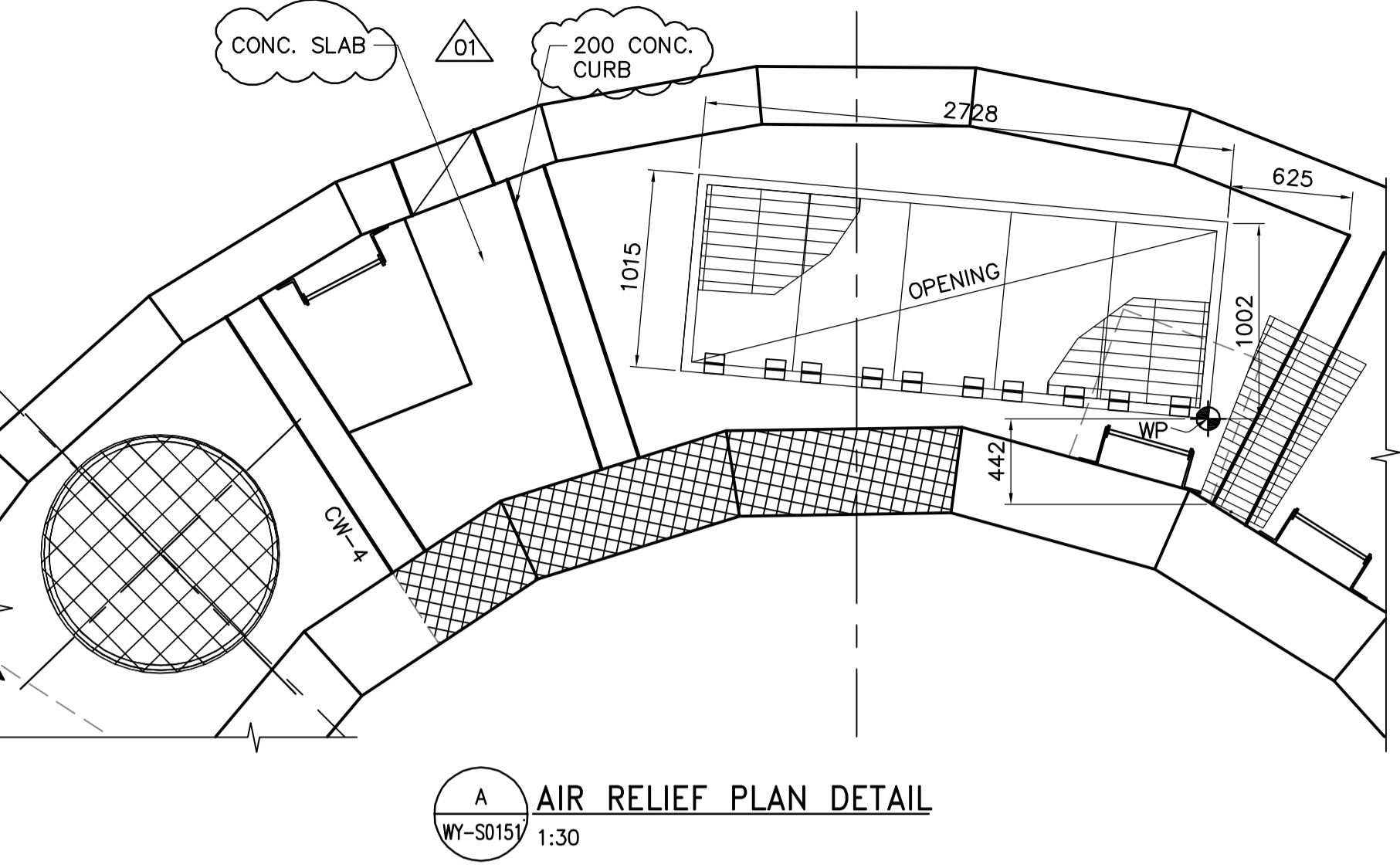
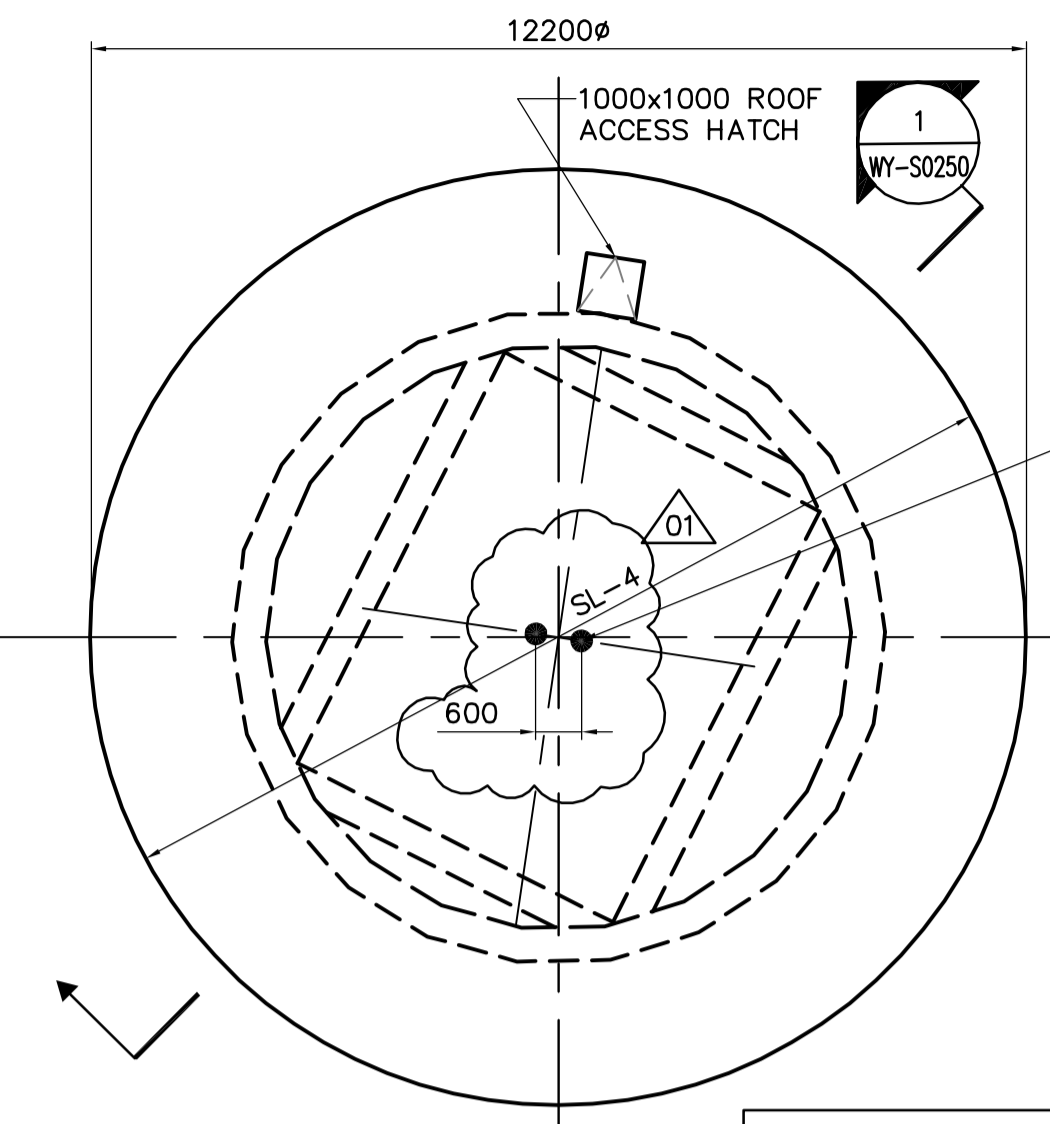


INTERMEDIATE PLAN
1:75
NOTE:
1. ALL RADIUS MEASURED TO CHORD POINTS



AIR RELIEF PLAN DETAIL
1:30



ROOF PLAN
1:75

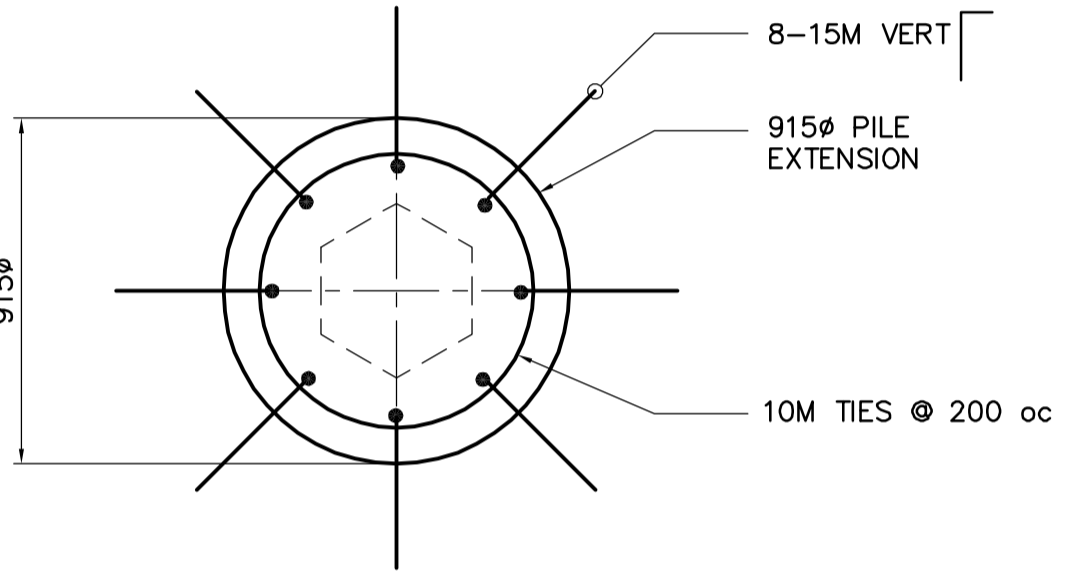
SAFETY ANCHOR POST (AN777A) ± REFER TO SPECIFICATIONS (2 REQ'D) 01

FOLLOWING NOTE IS INTENDED FOR FUTURE MAINTENANCE STAFF. CONTRACTOR MAY USE THE SAFETY ANCHOR POSTS, HOWEVER, CONTRACTOR MUST SUPPLY HIS OWN BODY HARNESSES AND LANYARDS AND LINES.

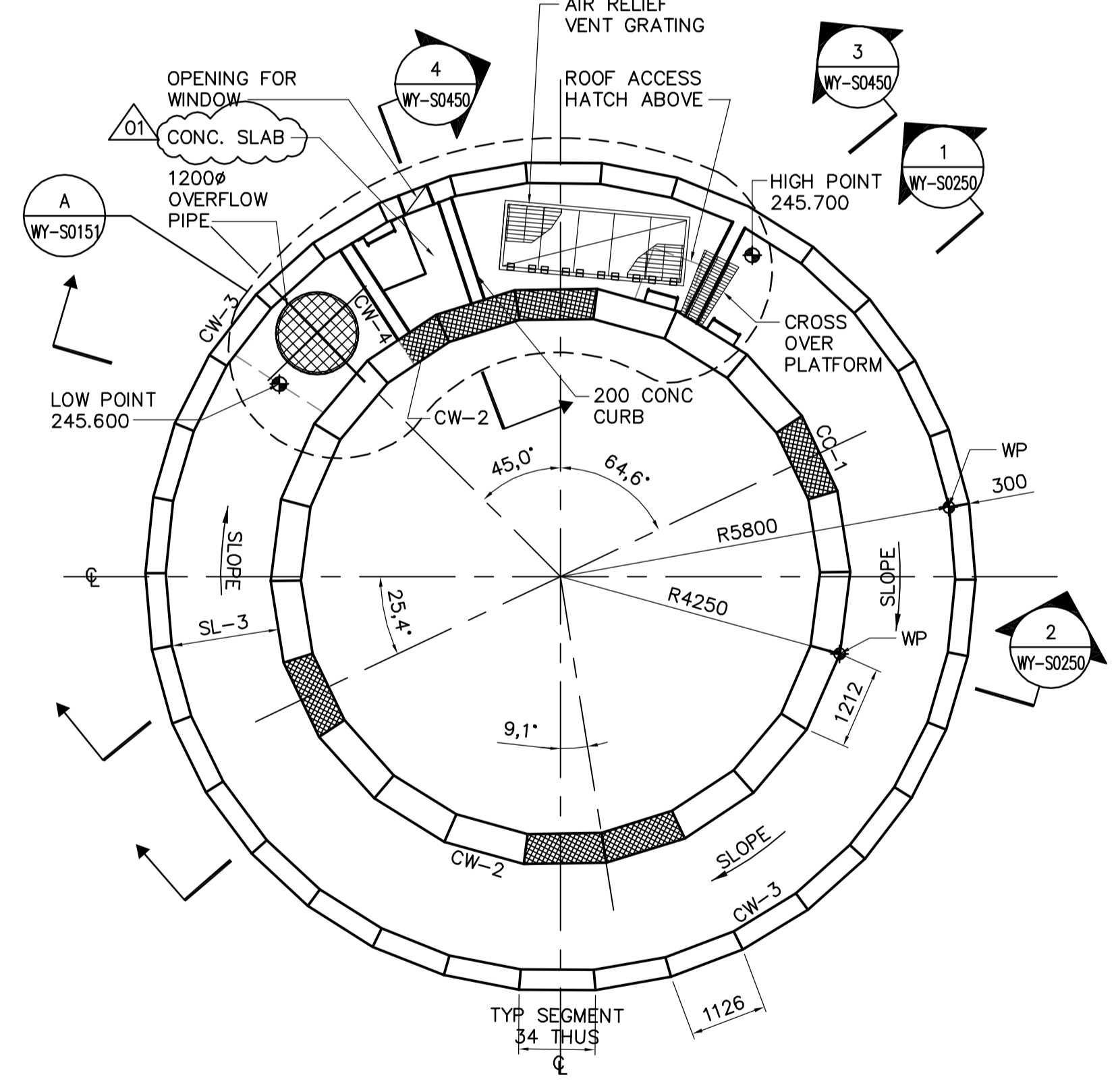
NOTES FOR MAINTENANCE STAFF:

- ANCHOR POST MUST BE USED FOR TIE-OFF BY ANY WORKER ON THE ROOF.
- EACH ANCHOR POST IS DESIGNED FOR MAX. OF ONE (1) WORKER AT ANY ONE TIME.
- ALL PERSONS USING THE FALL PROTECTION SYSTEM MUST BE EQUIPPED WITH A FULL BODY HARNESS, A LANYARD COMPLETE WITH A SHOCK ABSORBER (FIXED LENGTH 3.0M*) AND A ROOFER'S KIT (FIXED LENGTH LINE 3.3M*) SUPPLIED BY THE CITY.
- EQUIPMENT MUST BE INSTALLED AND USED AS PER MANUFACTURER'S INSTRUCTION. FAILURE TO DO SO COULD RESULT IN SERIOUS INJURY OR DEATH.

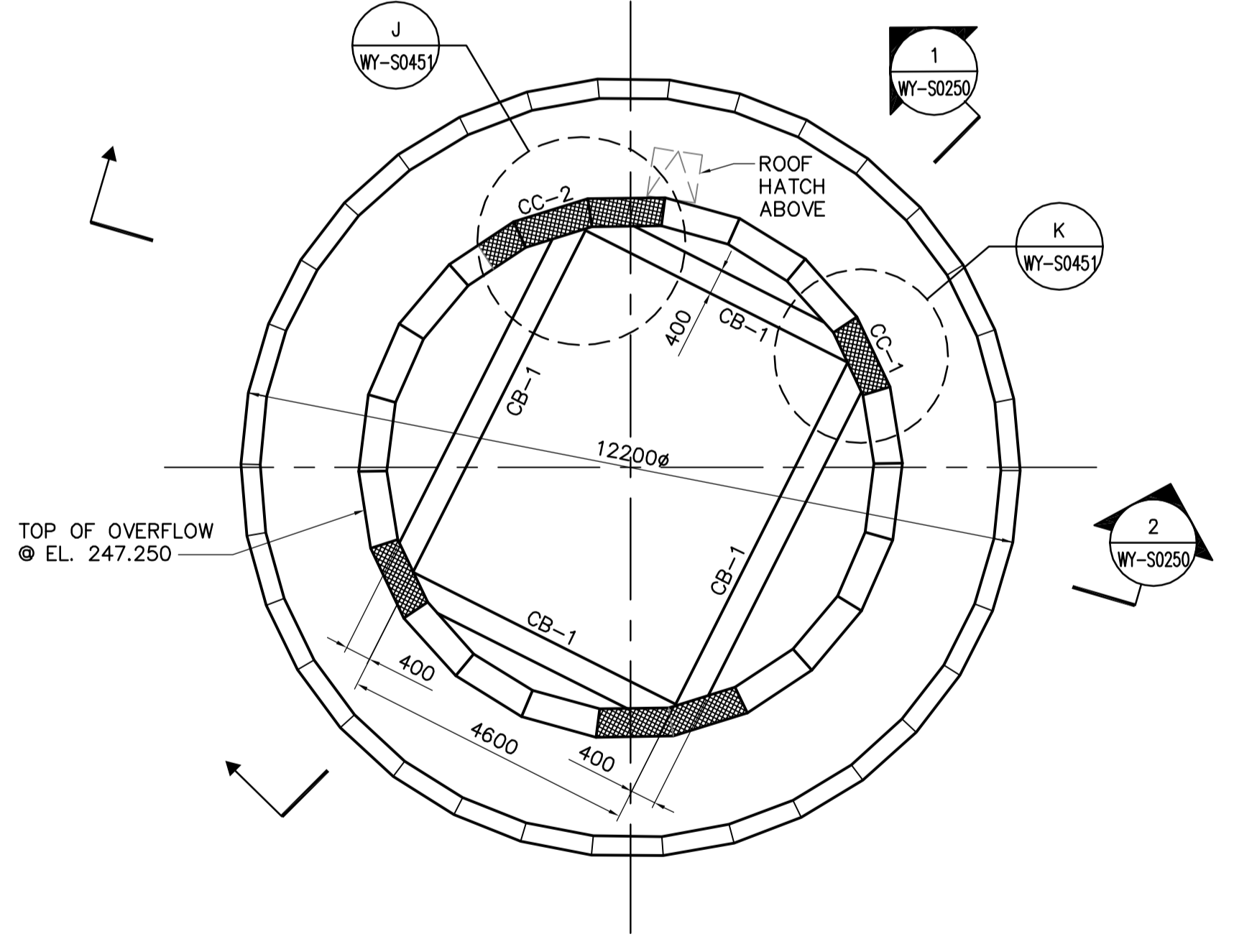
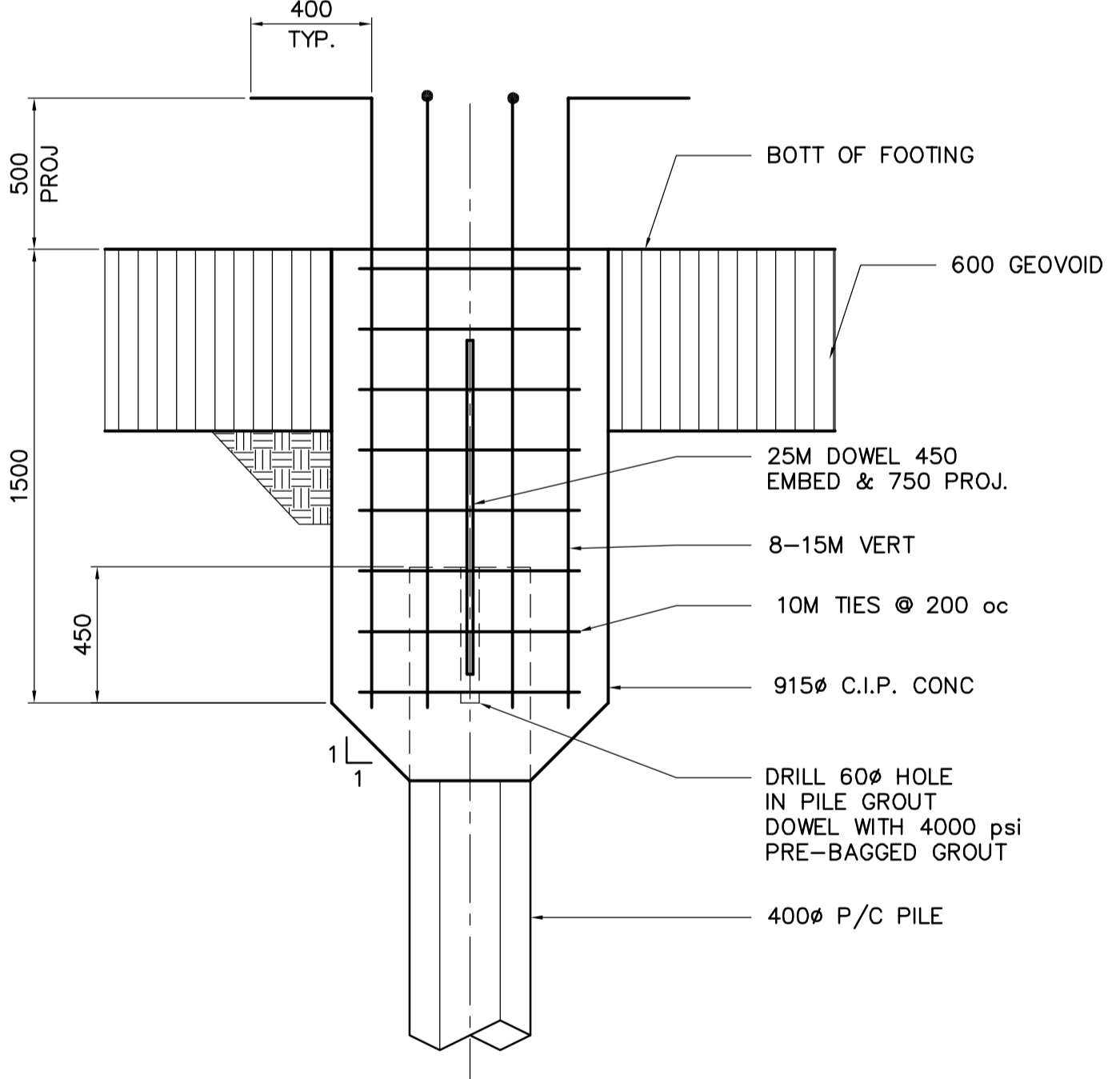
* MINOR ADJUSTMENTS TO FIXED LENGTHS MAY BE REQUIRED TO SUIT REQUIRED TRAVEL RESTRAINT DISTANCE; ONCE FIXED LENGTH IS ESTABLISHED, IT MUST NOT BE TAMPERED WITH.



PILE EXTENSION DETAIL
N.T.S.



AT OVERFLOW PLAN
1:75
NOTE:
1. ALL RADIUS MEASURED TO CHORD POINTS



ROOF BEAM PLAN
1:75
NOTE:
1. ALL RADIUS MEASURED TO CHORD POINTS

<p>APEGM Certificate of Authorization Earth Tech Canada Inc. No. 730 Expiry: April 30, 2007</p>	B.M. ELEV.	<p>Frederickson Cooper ARCHITECTS</p>	<p>EarthTech A Tyco International Ltd. Company</p>	ENGINEER'S SEAL	<p>THE CITY OF WINNIPEG WATER AND WASTE DEPARTMENT ENGINEERING DIVISION</p>			
				DESIGNED BY: FK		CHECKED BY: GGP	ORIGINAL SIGNED BY: F.A. KEMP	
				DRAWN BY: WDB / KK		APPROVED BY: AHL	2006/05/03	
				SCALE: AS NOTED		RELEASED FOR CONSTRUCTION BY: R. SOROKOWSKI	CONSULTANT DRAWING NO. WY-S0151	
	NO. REVISIONS	DATE	BY	DATE	2006/02/08	DATE	2006/05/03	WATER TREATMENT PLANT YARD PIPING AND VALVE CHAMBERS SURGE TOWER CONSTRUCTION STRUCTURAL INTERMEDIATE, ROOF, ROOF BEAM AT OVERFLOW PLAN CITY FILE NUMBER SHEET OF CITY DRAWING NUMBER 1-0601Y-A-S0151-001-020