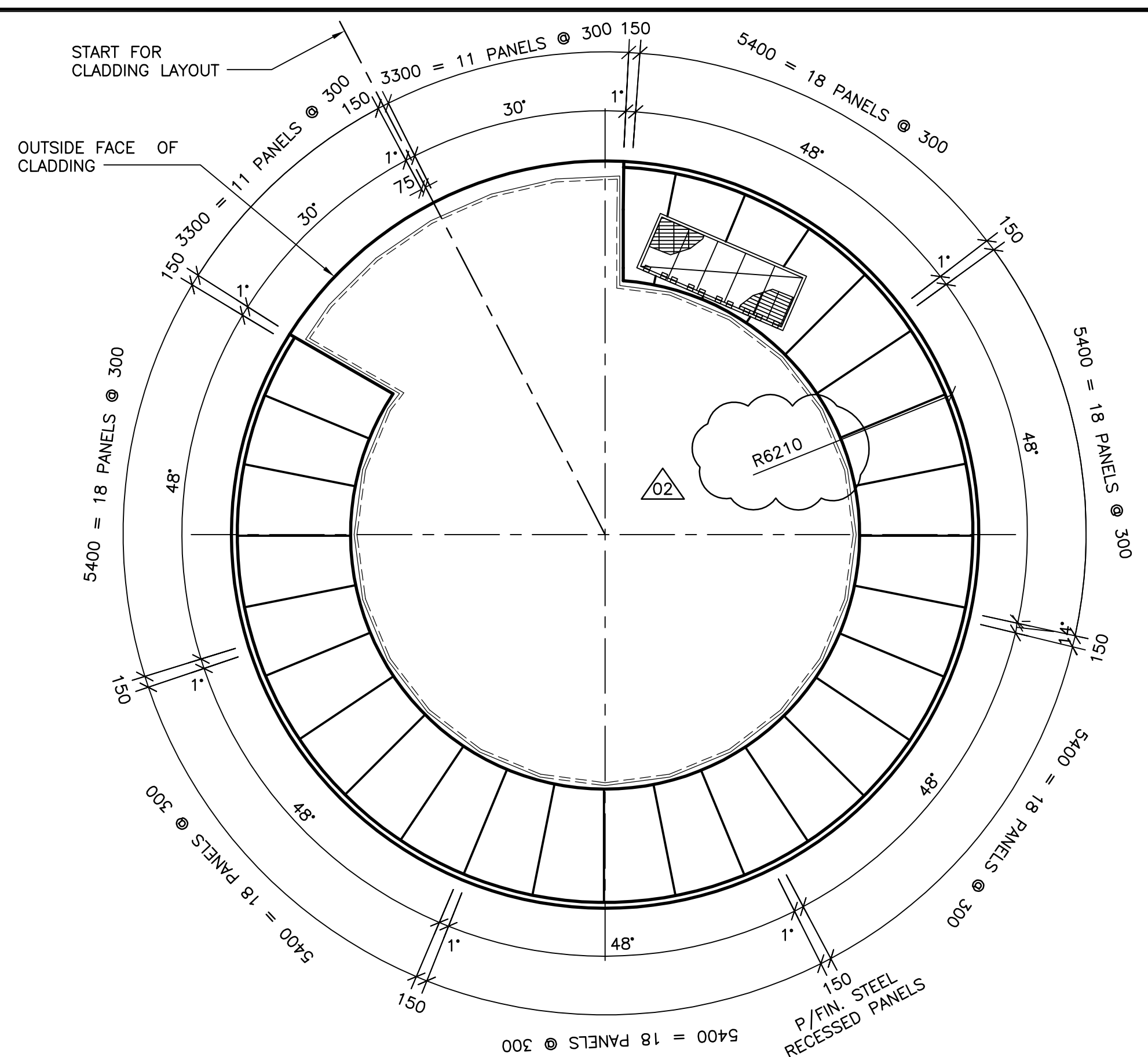
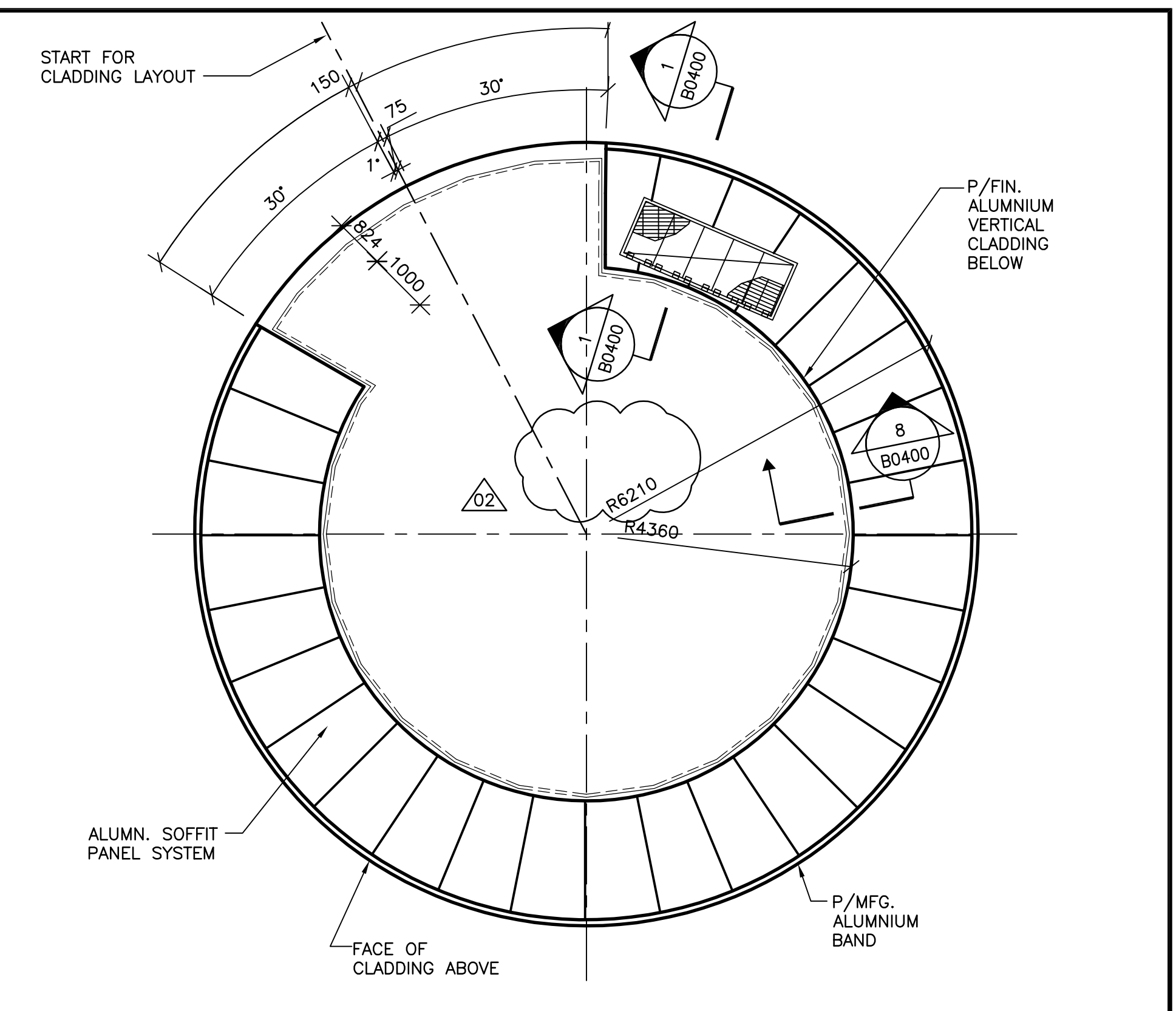


7 ROOF PLAN AT ELEV. 249.85
SCALE 1:75

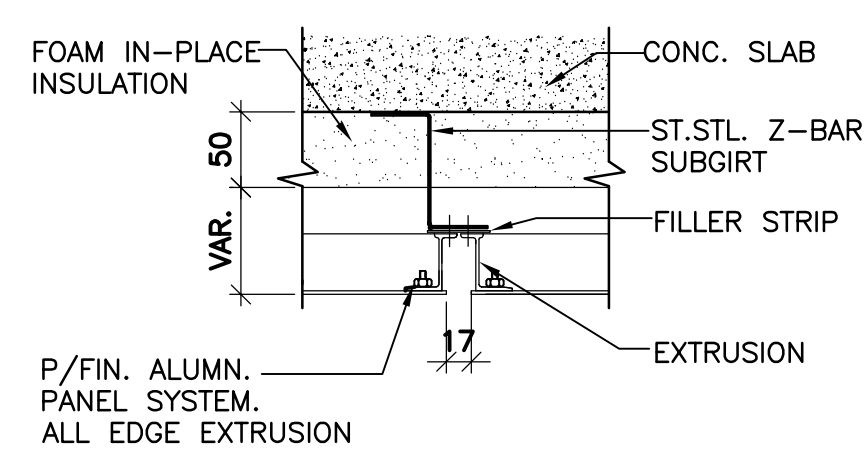


8 OVERFLOW PLAN AT ELEV. 245.70
SCALE 1:75

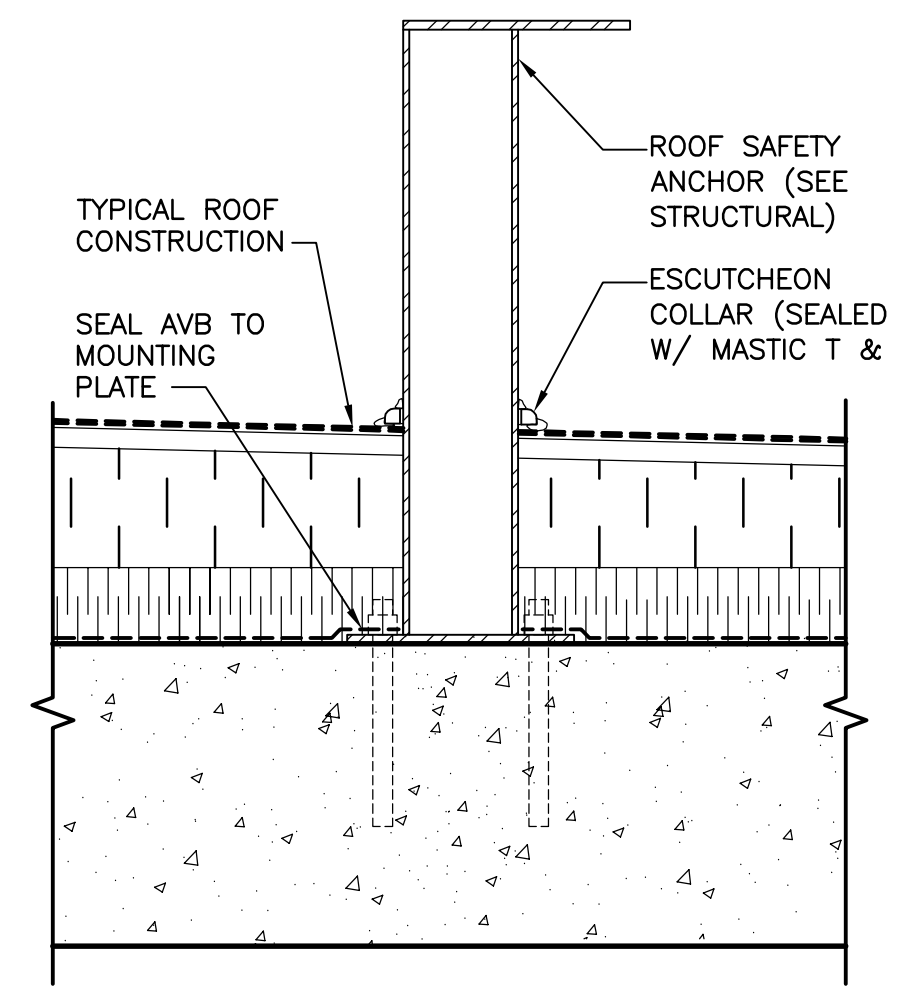


9 SOFFIT PLAN AT ELEV. 245.20
SCALE 1:75

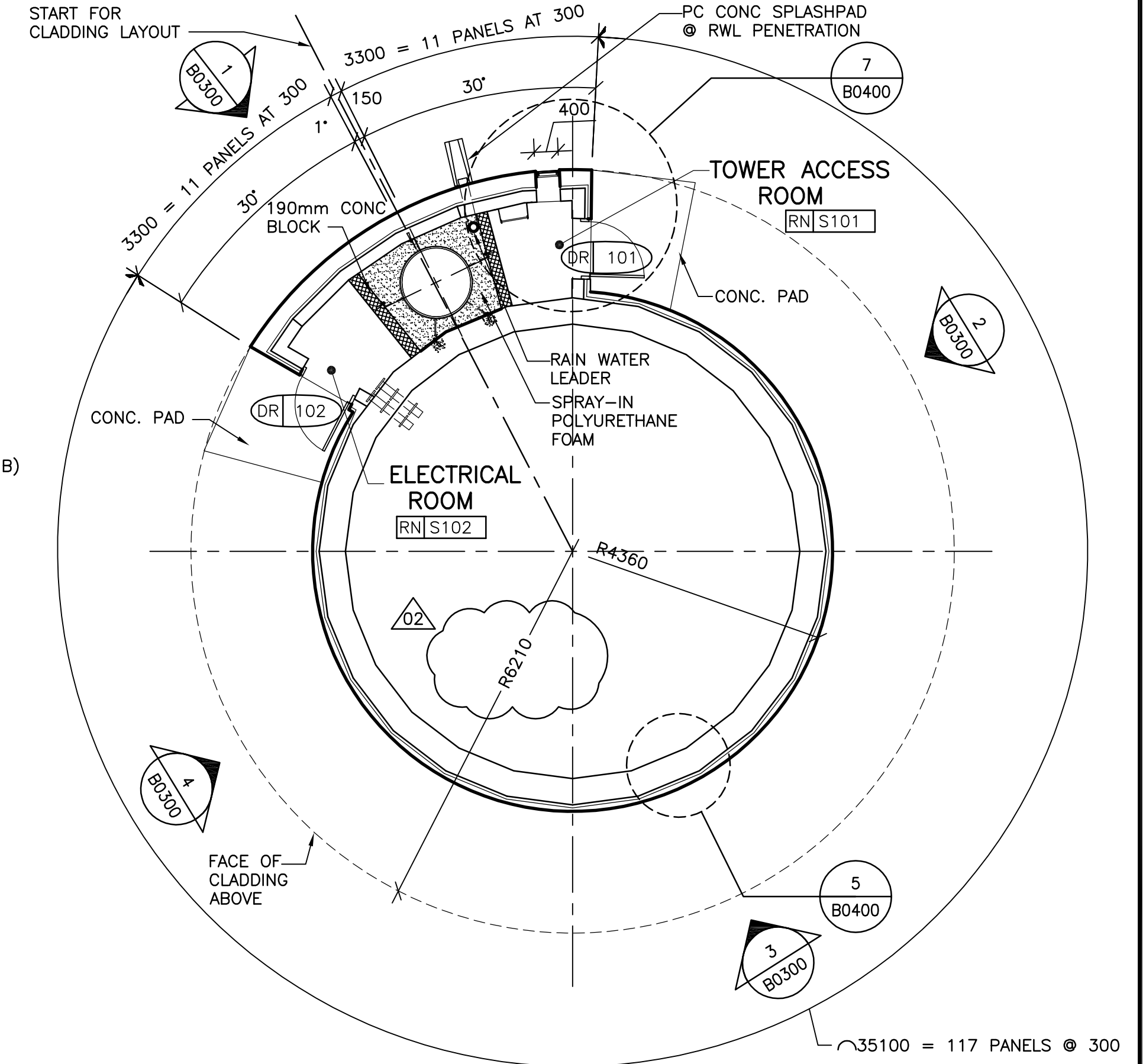
DOOR SCHEDULE												
NO.	DOOR				FRAME							REMARKS
	WIDTHxHEIGHTxTHICKNESS	TYPE	MAT.	FINISH	GLASS	MAT.	FINISH	TYPE	JAMB	HEAD	RATING (HR)	
101	900x2150x45	D1	HM	PNT	-	HM	PNT	-	J1	H1	-	
102	900x2150x45	D1	HM	PNT	-	HM	PNT	-	J1	H1	-	



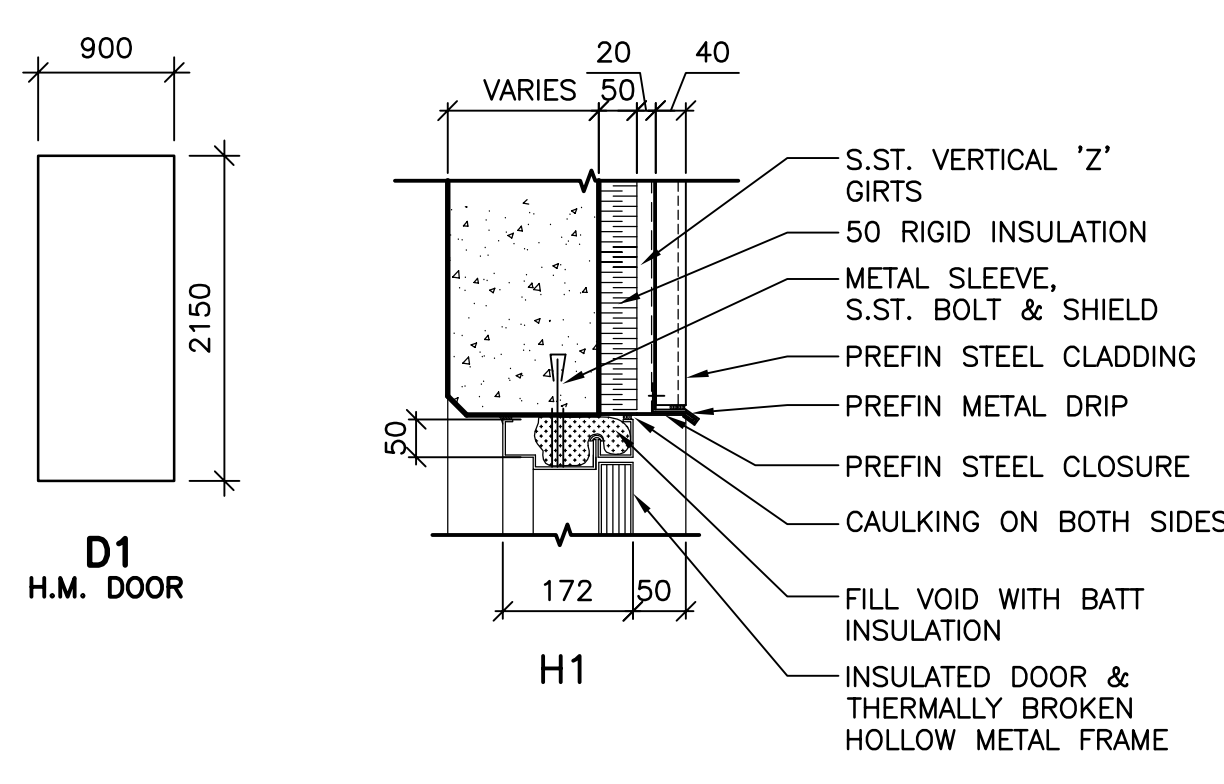
6 SOFFIT DETAIL
SCALE 1:5



10 ROOF ANCHOR DETAIL
SCALE 1:5

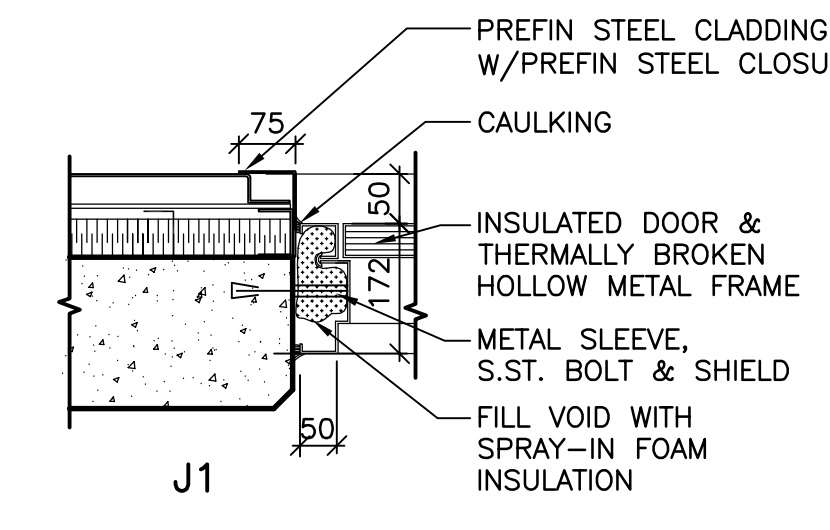


5 MAIN ENTRY PLAN AT ELEV. 237.00
SCALE 1:75

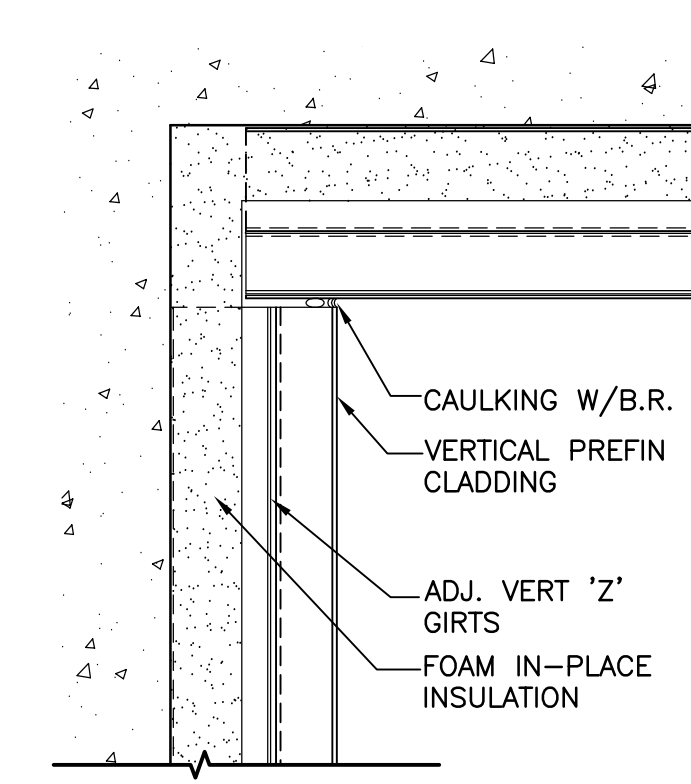


1 DOOR TYPE
SCALE 1:50

2 HEAD TYPE
SCALE 1:75



3 JAMB TYPE
SCALE 1:75



4 SOFFIT DETAIL
SCALE 1:5



B.M. ELEV.		CH2MHILL		EarthTech	
		Frederickson Cooper ARCHITECTS		A Tech International Ltd. Company	
DESIGNED BY	TWS	CHECKED BY	TWS	ENGINEER'S SEAL	ORIGINAL SIGNED BY N. COOPER
DRAWN BY	SM	APPROVED BY	AHL	DATE	2006/05/03
SCALE:	AS NOTED	RELEASED FOR CONSTRUCTION BY:	R. SOROKOWSKI	CONSULTANT DRAWING NO.	WY-B0100
NO.	REVISIONS	DATE	BY	DATE	2006/04/21
02	37-2006 ADDENDUM 3	06/06/13	LK	DATE	2006/05/03
01	37-2006 ADDENDUM 1	06/05/24	LK		
00	ISSUED FOR TENDER	06/05/03	LK		

THE CITY OF WINNIPEG
WATER AND WASTE DEPARTMENT
ENGINEERING DIVISION

WATER TREATMENT PLANT
YARD PIPING AND VALVE CHAMBERS
SURGE TOWER CONSTRUCTION

ARCHITECTURAL
MAIN ENTRY, INTERMEDIATE, OVERFLOW,
AND SOFFIT PLANS, DETAILS

CITY FILE NUMBER
SHEET OF
CITY DRAWING NUMBER
1-0601Y-A-B0100-001-02D