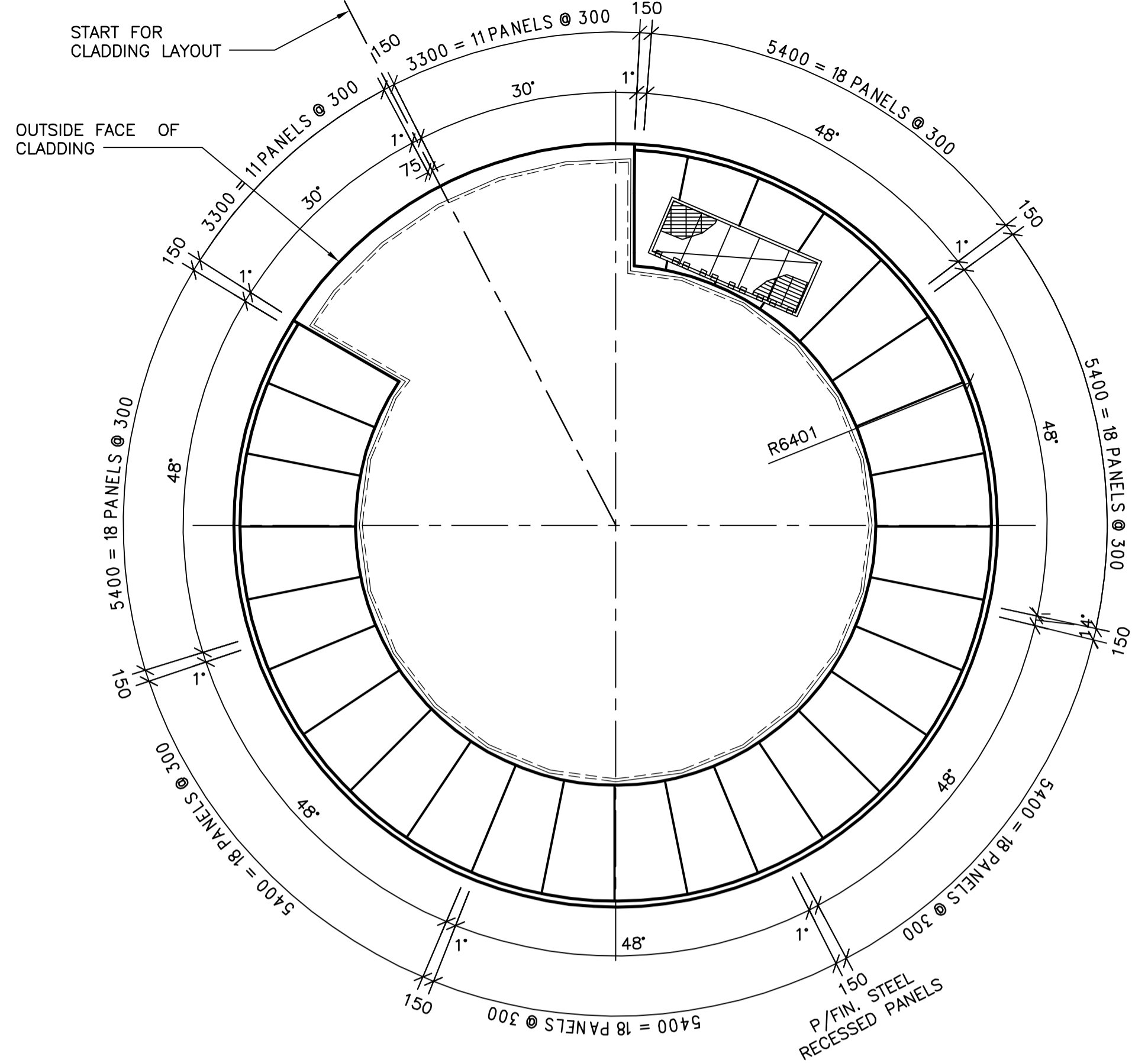
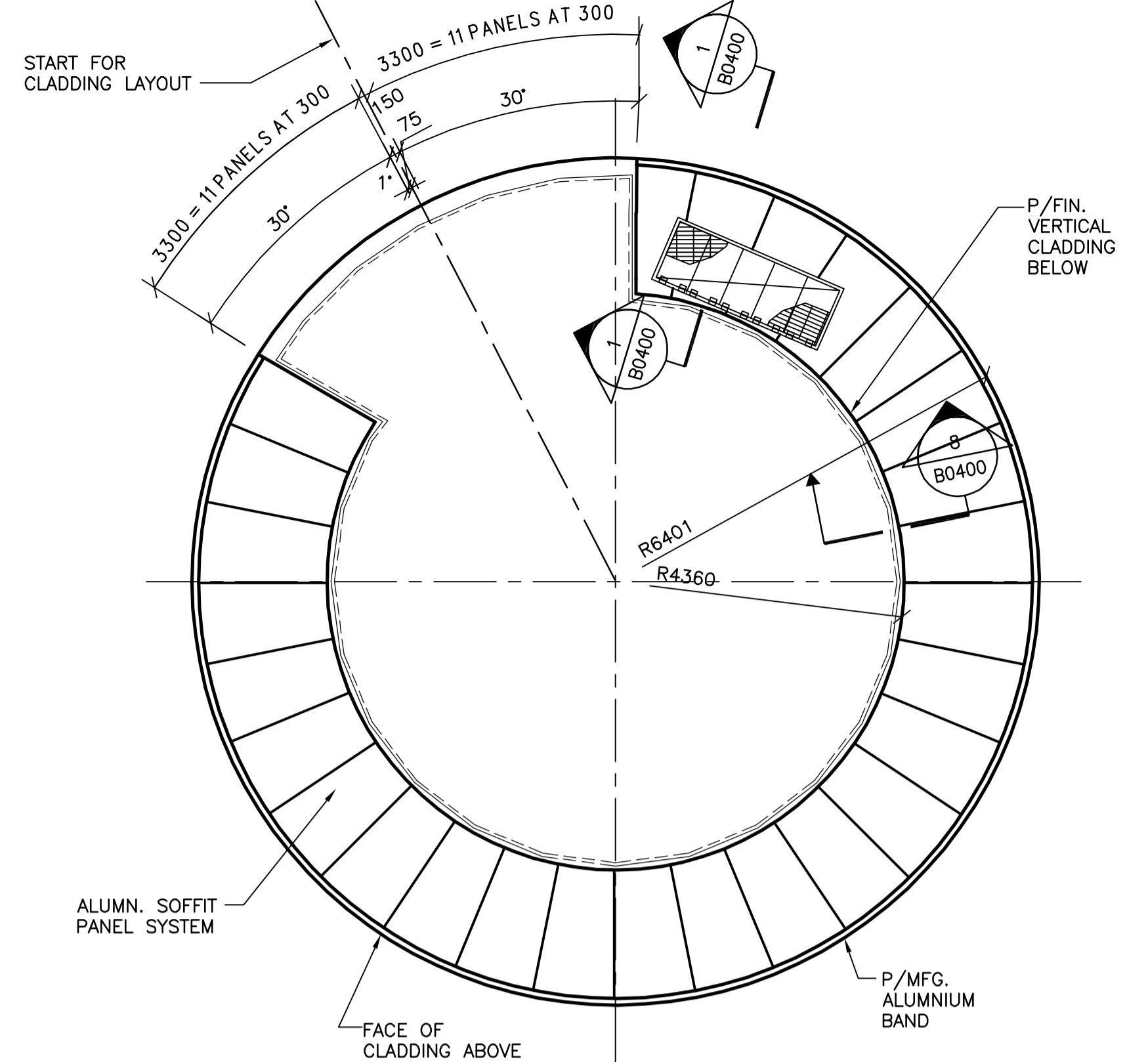


7 ROOF PLAN AT ELEV. 249.85
B0100 SCALE 1:75

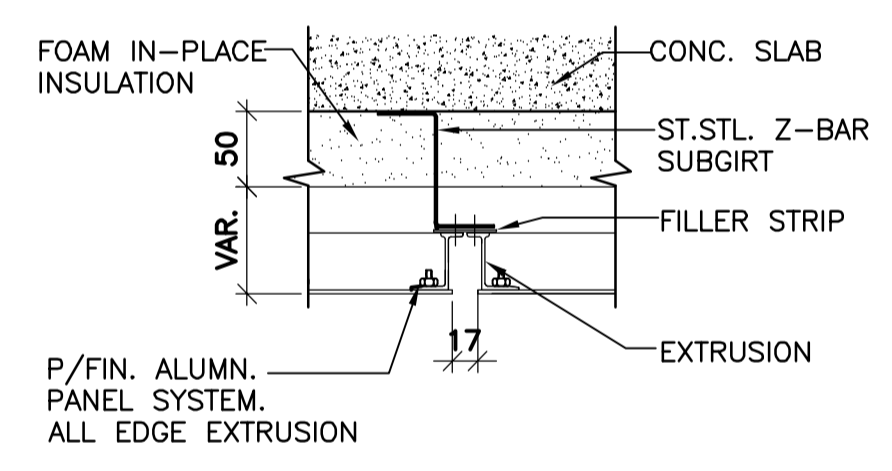


8 OVERFLOW PLAN AT ELEV. 245.70
B0100 SCALE 1:75

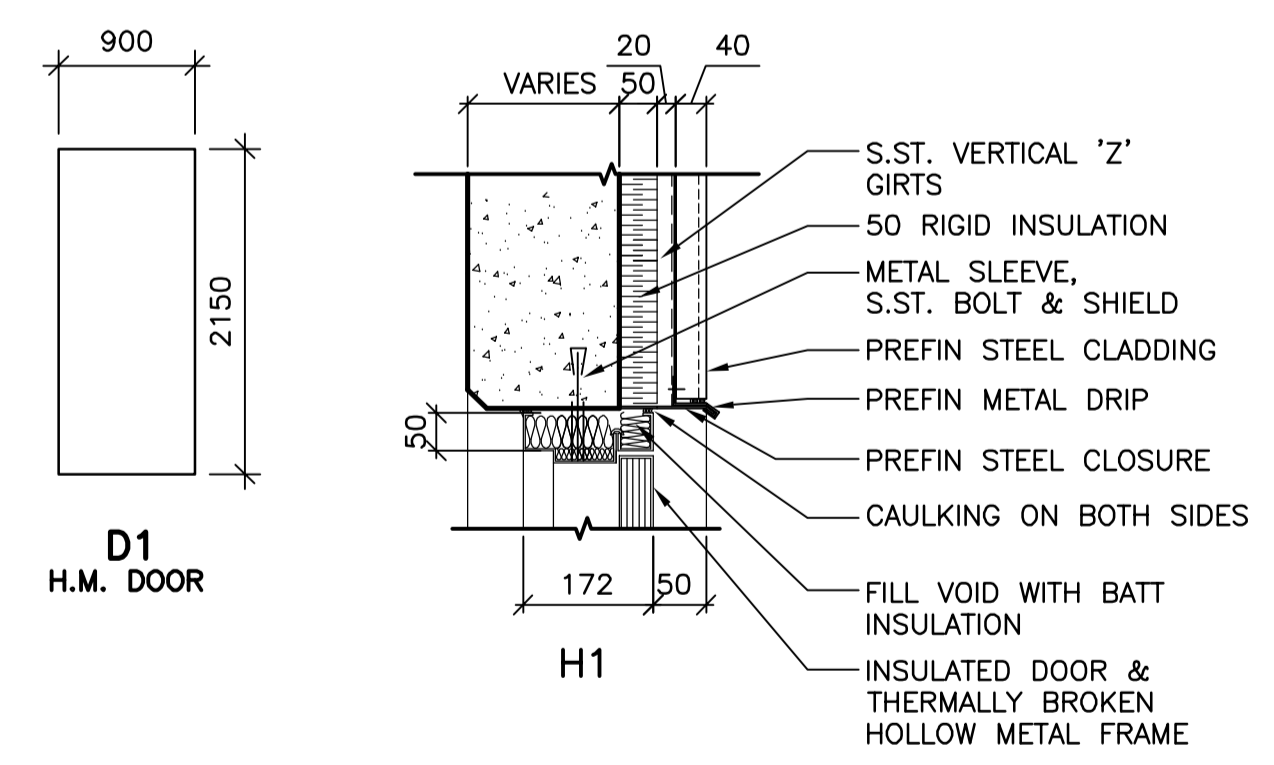


9 SOFFIT PLAN AT ELEV. 245.20
B0100 SCALE 1:75

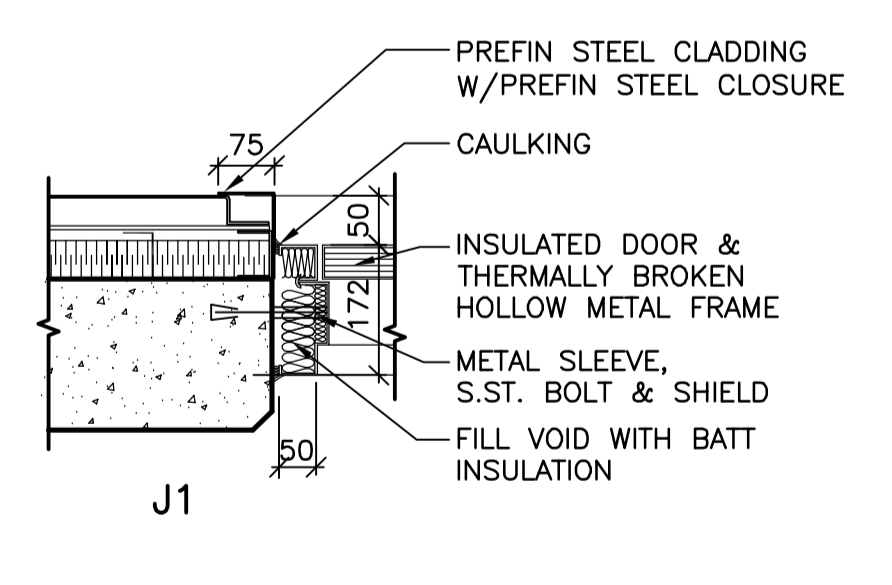
DOOR SCHEDULE											
NO.	WIDTHxHEIGHTxTHICKNESS	DOOR			FRAME					RATING (HR)	REMARKS
		TYPE	MAT.	FINISH	MAT.	FINISH	TYPE	JAMB	HEAD		
101	900x2150x45	D1	HM	PNT	HM	PNT	J1	H1	-	-	
102	900x2150x45	D1	HM	PNT	HM	PNT	J1	H1	-	-	



6 SOFFIT DETAIL
B0400 SCALE 1:5

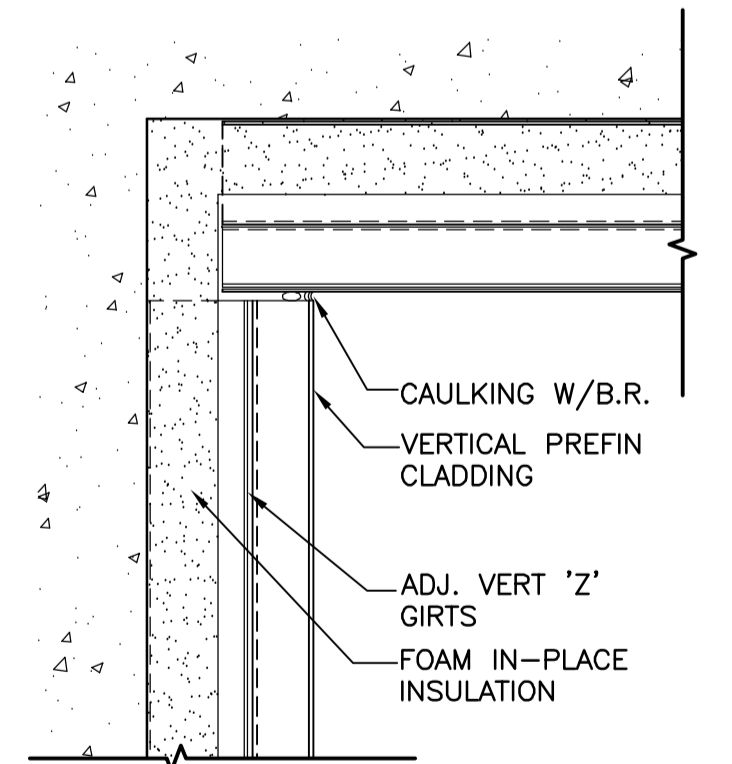


1 DOOR TYPE
B0100 SCALE 1:50

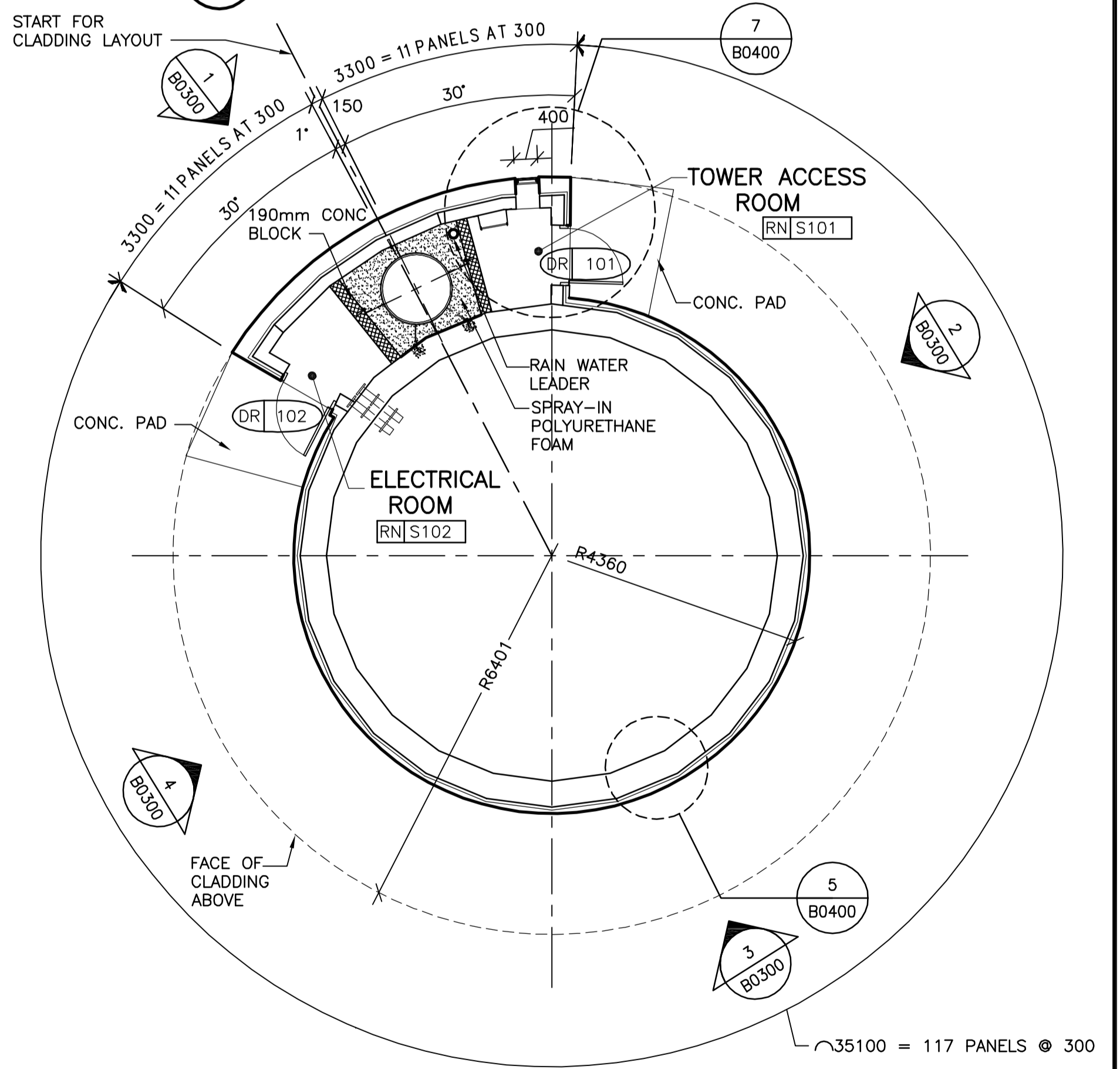


2 HEAD TYPE
B0100 SCALE 1:75

3 JAMB TYPE
B0100 SCALE 1:75



4 SOFFIT DETAIL
B0400 SCALE 1:5



5 MAIN ENTRY PLAN AT ELEV. 237.00
B0100 SCALE 1:75



B.M. ELEV.	
DESIGNED BY	TWS
CHECKED BY	TWS
DRAWN BY	SM
APPROVED BY	AHL
SCALE:	AS NOTED
ISSUED FOR TENDER	06/05/03 LK
NO. REVISIONS	DATE BY
DATE	2006/04/21

CH2MHILL
Frederickson Cooper ARCHITECTS

EarthTech
A Tech International Ltd. Company

DESIGNED BY TWS
CHECKED BY TWS
DRAWN BY SM
APPROVED BY AHL
SCALE: AS NOTED
RELEASED FOR CONSTRUCTION BY: R. SOROKOWSKI
DATE 2006/04/21

ENGINEER'S SEAL

ORIGINAL SIGNED BY N. COOPER
2006/05/03

CONSULTANT DRAWING NO. WY-B0100

THE CITY OF WINNIPEG
WATER AND WASTE DEPARTMENT
ENGINEERING DIVISION

WATER TREATMENT PLANT
YARD PIPING AND VALVE CHAMBERS
SURGE TOWER CONSTRUCTION

CITY FILE NUMBER
SHEET OF
CITY DRAWING NUMBER
1-0607-A-B0100-001-00D