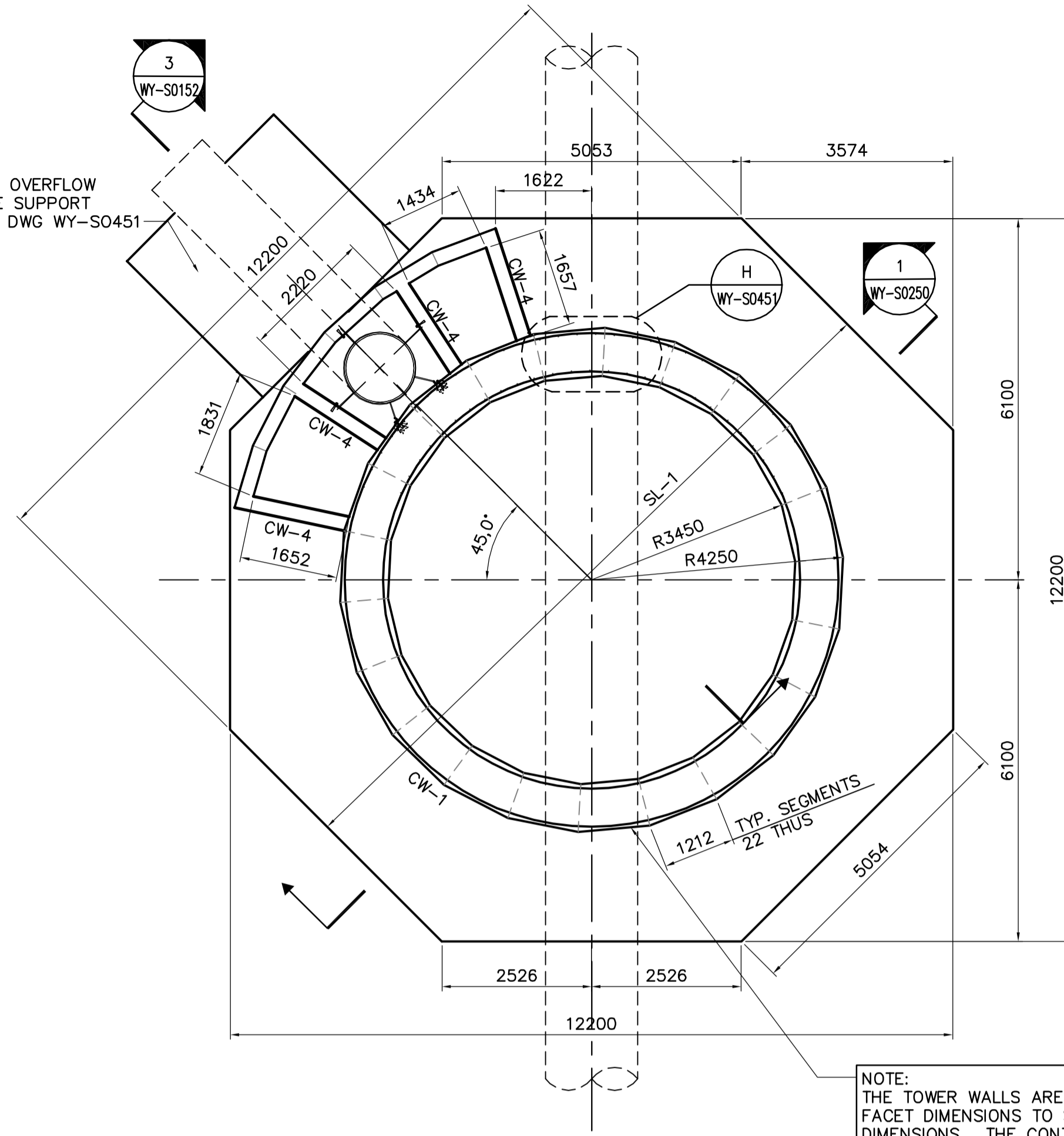
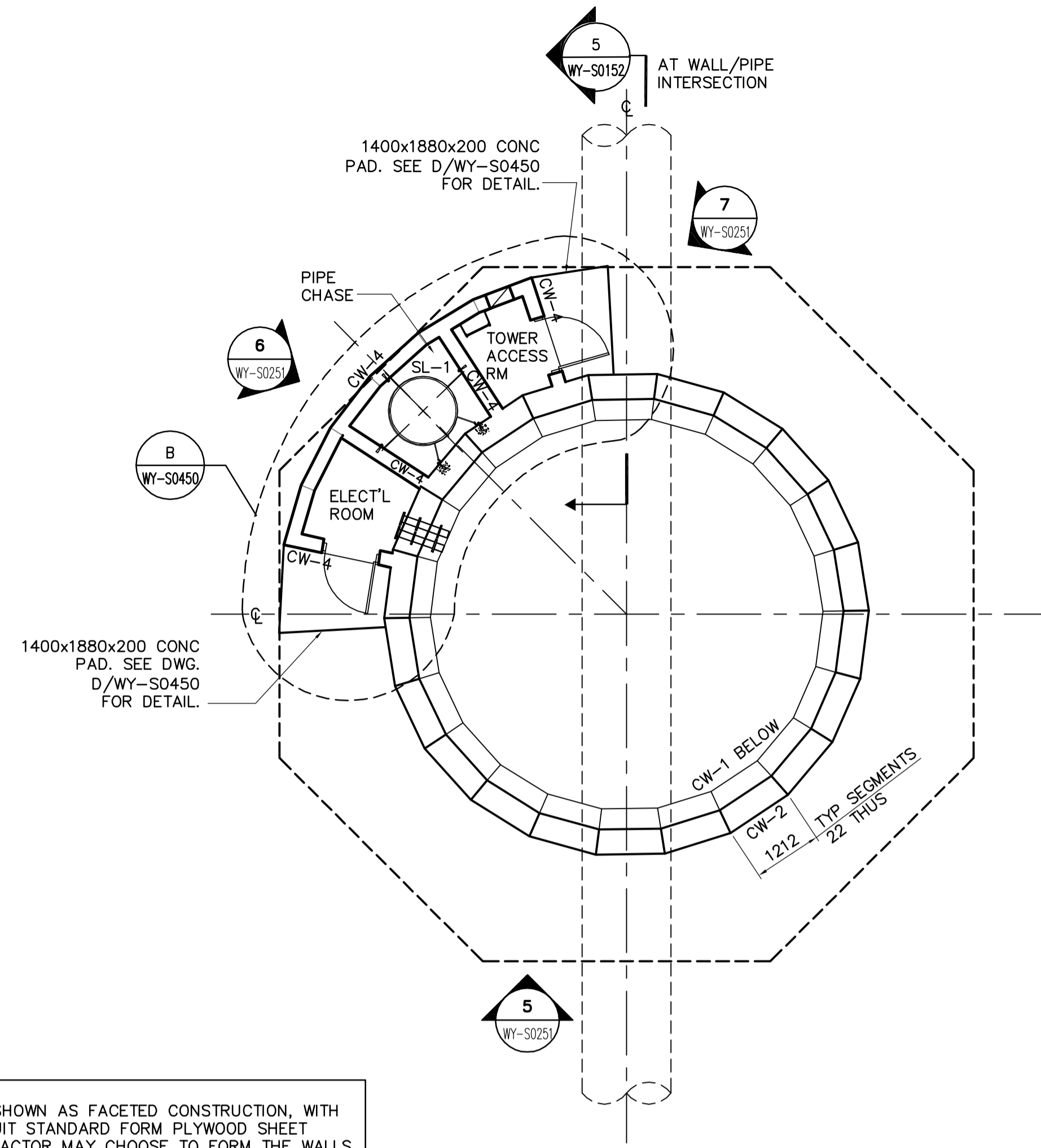


PILING AND FOOTING PLAN
1:75



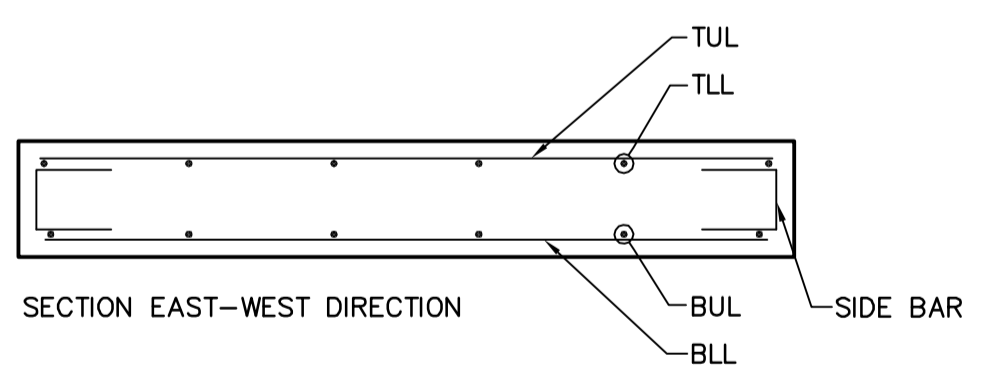
FOUNDATION PLAN
1:75



MAIN ENTRY PLAN @ EL. 236.500
1:75

| CONCRETE SLAB SCHEDULE | | | | | |
|------------------------|-------|---------------------|---------------------|-------------------------|----------------|
| MARK | DEPTH | REINFORCING | | | REMARKS |
| | | TOP | BOTTOM | ADDITIONAL | |
| SL-1 | 1000 | 25M @ 200 o.c. E.W. | 25M @ 200 o.c. E.W. | 25M @ 300 DWLS 15M SIDE | SEE A/WY-S0450 |
| SL-2 | 250 | 15M @ 300 o.c. E.W. | 15M @ 300 o.c. E.W. | | |
| SL-3 | 400 | 25M @ 300 o/c E.W. | 25M @ 300 o/c E.W. | REFER TO PLAN & DETAIL | |
| SL-4 | 350 | 20M @ 300 o/c E.W. | 20M @ 300 o/c E.W. | REFER TO PLAN & DETAIL | |

LEGEND:
TUL - TOP UPPER LAYER
TLL - TOP LOWER LAYER
BUL - BOTTOM UPPER LAYER
BLL - BOTTOM LOWER LAYER



| MASONRY WALL SCHEDULE | | | | |
|-----------------------|------|---------------------|-------|--------------------------------|
| MARK | SIZE | REINFORCING | TYPE | REMARKS |
| MW-1 | 200 | 15M VERT. EACH CORE | CONC. | FILL ALL CORES w/ 25 MPA CONC. |

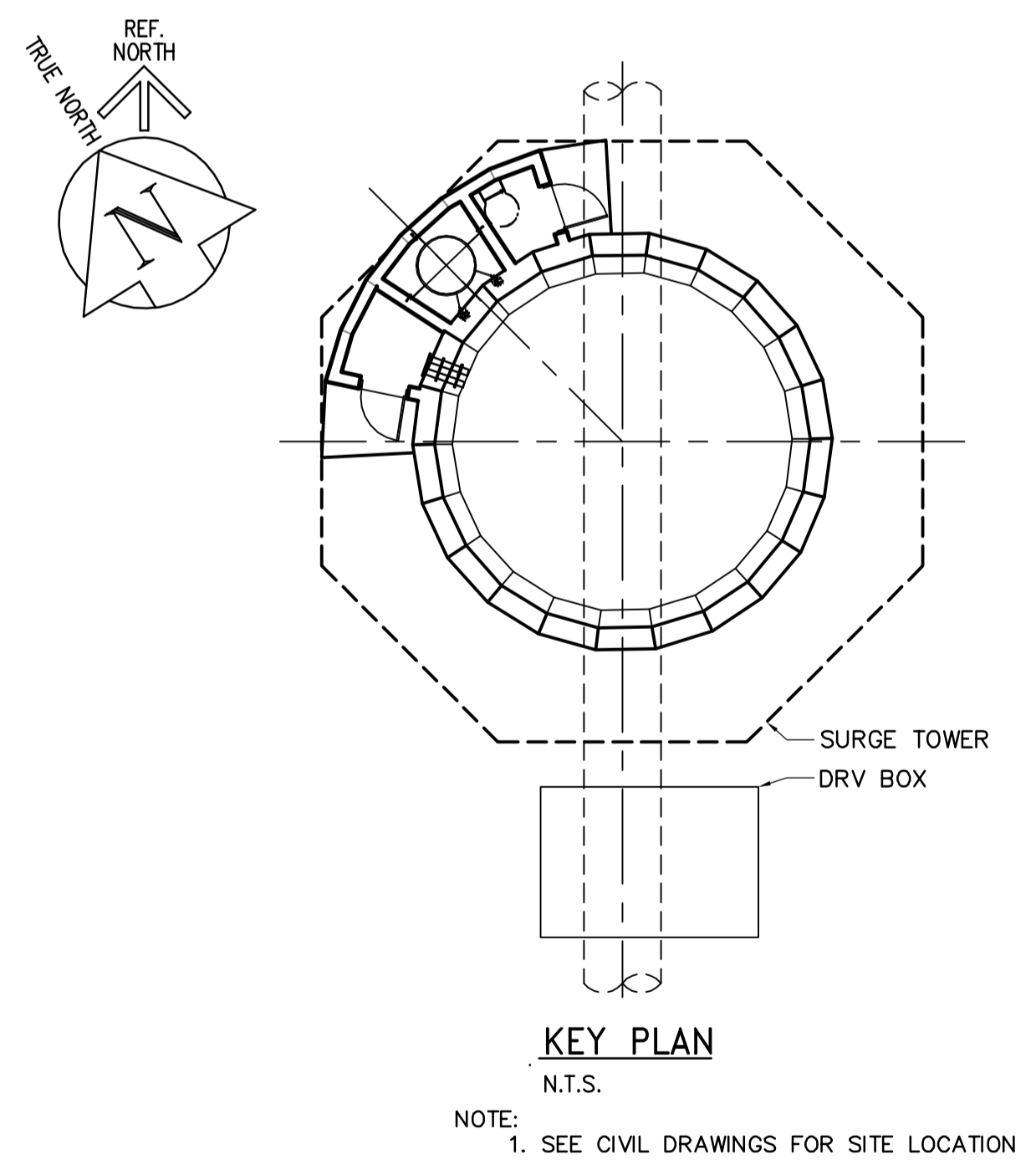
| PRE-CAST PILE SCHEDULE | | | | | | | |
|------------------------|----------|-------------|------|--------|---------|--------------------------------|---------|
| MARK | DIAMETER | REINFORCING | | | LENGTH | CUT-OFF | REMARKS |
| | | VERTICAL | TIES | DOWELS | | | |
| P-1 | 400 | | | | 230.575 | TYPICAL UNLESS NOTED OTHERWISE | |
| P-2 | 400 | | | | 230.900 | | |

| CONCRETE COLUMN SCHEDULE | | | | | |
|--------------------------|----------|-------------|----------------|------------|---------|
| MARK | SIZE | REINFORCING | | | REMARKS |
| | | VERT. | TIES | ADDITIONAL | |
| CC-1 | 440x1110 | 10-25M | 15M @ 300 E.W. | | |
| CC-2 | 440x2200 | 10-25M | 15M @ 300 E.W. | | |

NOTE:
1. OFFSET OR ALTERNATE INSIDE VERTICAL REINF WITH OUTSIDE REINF BY 125.
2. 3-REINF SPLICES ALLOW ON HORIZONTAL REINF. ROTATE SPLICE SO THAT OFFSET WILL OCCUR.

| CONCRETE WALL SCHEDULE | | | | | | |
|------------------------|-------|--------|----------------|----------------|-------------------------|----------------|
| MARK | WIDTH | HEIGHT | REINFORCING | | | REMARKS |
| | | | VERTICAL | HORIZONTAL | ADDITIONAL | |
| CW-1 | 800 | | 25M @ 300 E.F. | 25M @ 300 E.F. | | SEE NOTE 1 & 2 |
| CW-2 | 440 | | 25M @ 300 E.F. | 25M @ 300 E.F. | | SEE NOTE 2 |
| CW-3 | 300 | | 20M @ 300 E.F. | 20M @ 300 E.F. | | |
| CW-4 | 250 | | 15M @ 300 E.F. | 15M @ 300 E.F. | 2-15M @ 300 o.c. DOWELS | |

| CONCRETE BEAM SCHEDULE | | | | | | | | |
|------------------------|-------|-------|-------------|--------|--------|---------------|------------|---------|
| MARK | WIDTH | DEPTH | REINFORCING | | | | ADDITIONAL | REMARKS |
| | | | TOP | MIDDLE | BOTTOM | STIRRUPS | | |
| CB-1 | 400 | 600 | 6-25M | 2-25M | 3-25M | 10M @ 400 o/c | | |



| | | | | | | |
|--|------------------|---------------------------------------|---------------------------------------|---|--|---------------------------------|
| APEGM Certificate of Authorization Earth Tech Canada Inc. No. 730 Expiry: April 30, 2007 | B.M. ELEV. | Frederickson Cooper ARCHITECTS | A Tech International Ltd. Company | ENGINEER'S SEAL | THE CITY OF WINNIPEG WATER AND WASTE DEPARTMENT ENGINEERING DIVISION | |
| | DESIGNED BY: FK | | | CHECKED BY: GGP | | ORIGINAL SIGNED BY: F.A. KEMP |
| | DRAWN BY: WDB/KK | | | APPROVED BY: AHL | | 2006/05/03 |
| | SCALE: AS NOTED | | | RELEASED FOR CONSTRUCTION BY: R. SOROKOWSKI | | CONSULTANT DRAWING NO. WY-S0150 |
| 00 ISSUED FOR TENDER 06/05/03 WDB | NO. REVISIONS | DATE | DATE | DATE | WATER TREATMENT PLANT YARD PIPING AND VALVE CHAMBERS SURGE TOWER CONSTRUCTION STRUCTURAL PLAN AND SCHEDULES AND DETAILS | |
| | | 2006/01/13 | 2006/05/03 | | CITY FILE NUMBER SHEET OF CITY DRAWING NUMBER 1-0601Y-A-S0150-001-000 | |