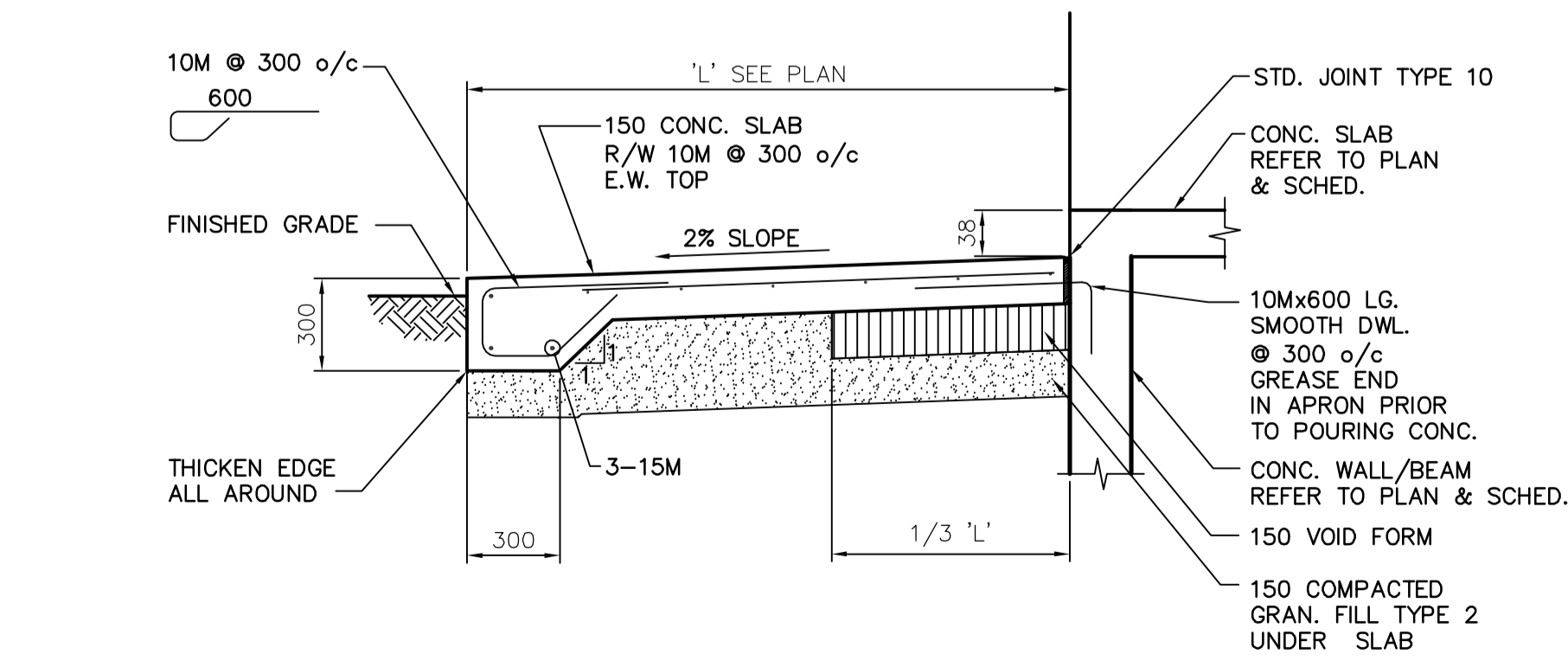
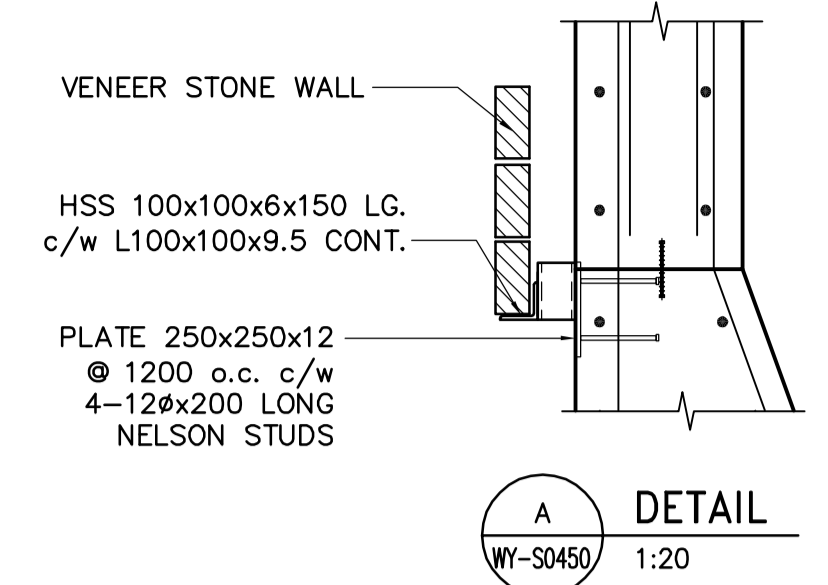


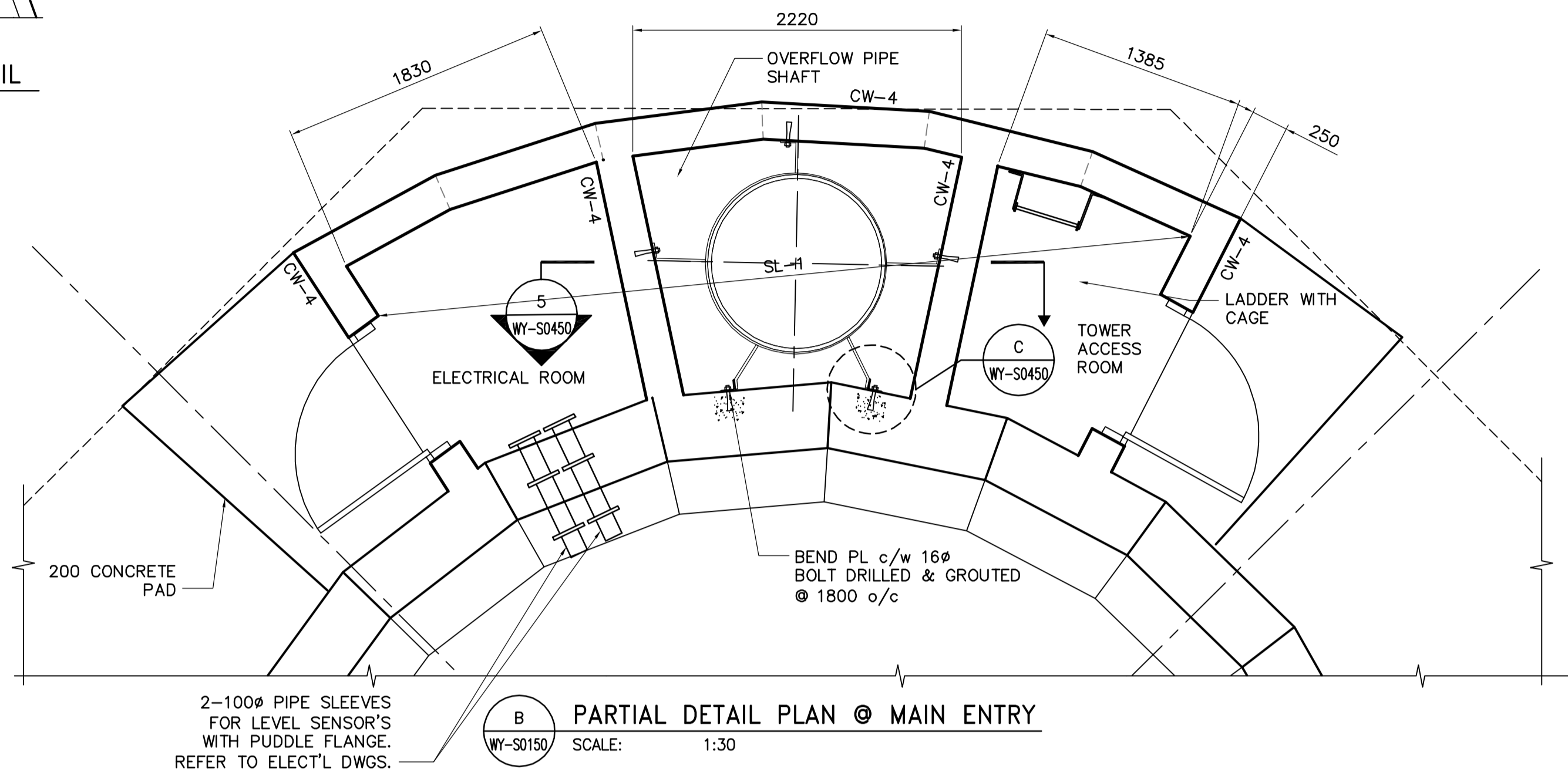
A DETAIL
WY-S0250 1:30



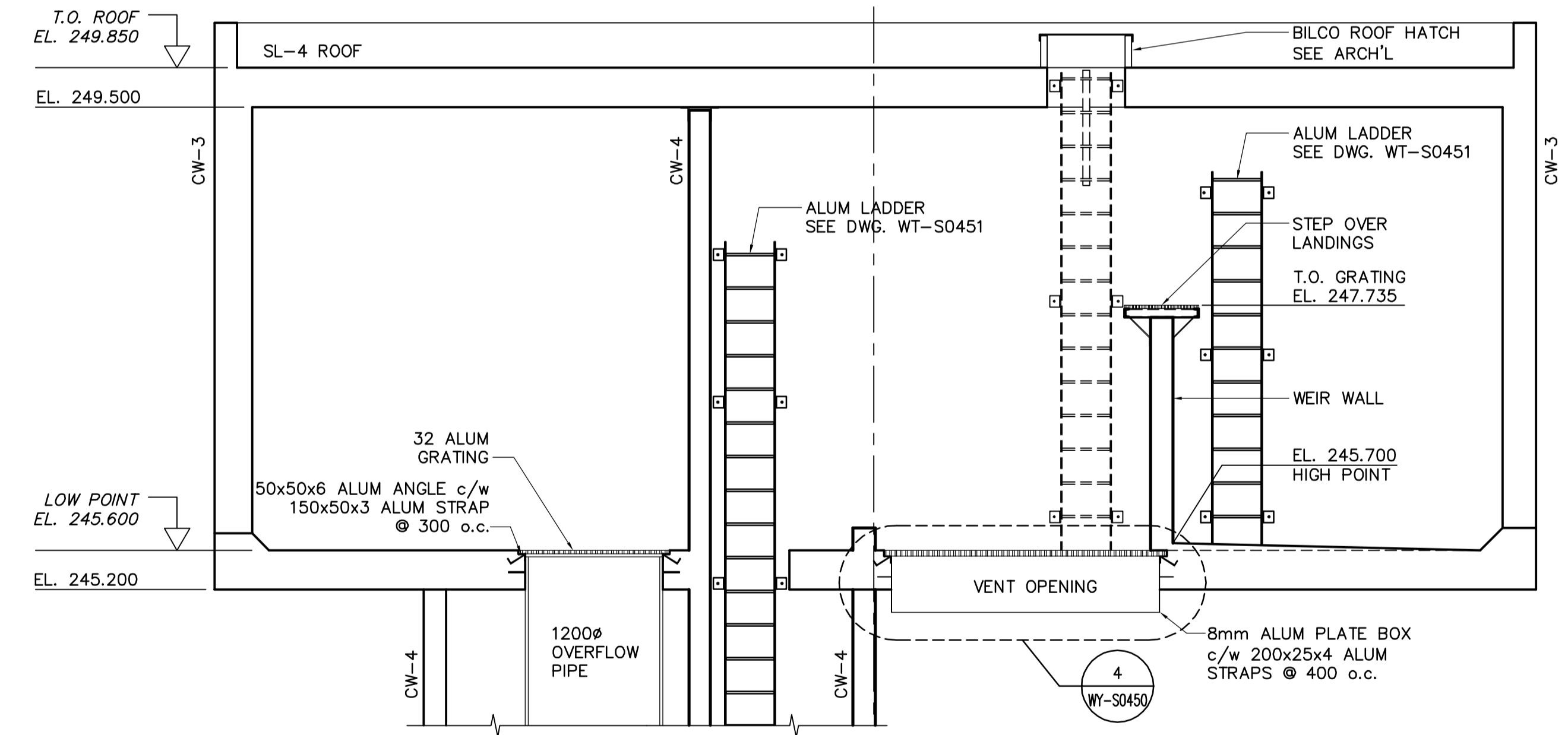
D DETAIL
WY-S0450 N.T.S.



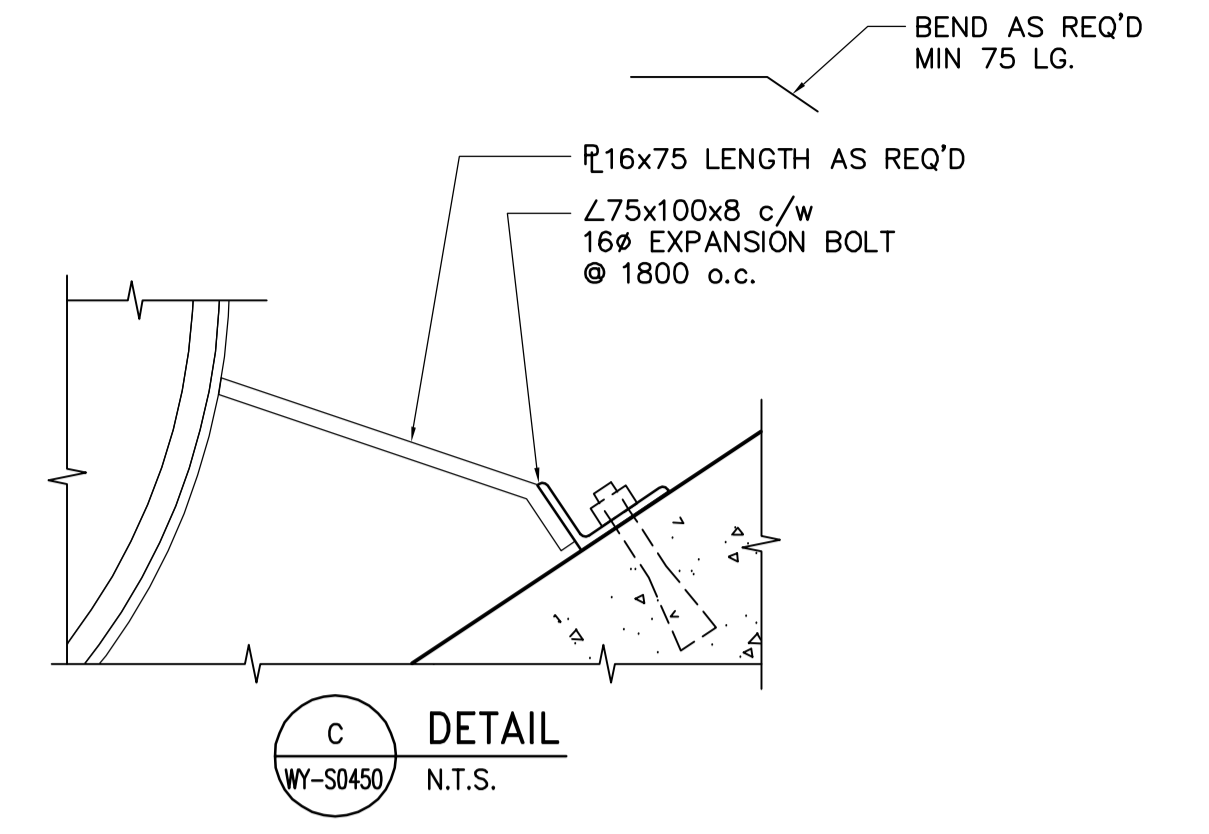
A DETAIL
WY-S0450 1:20



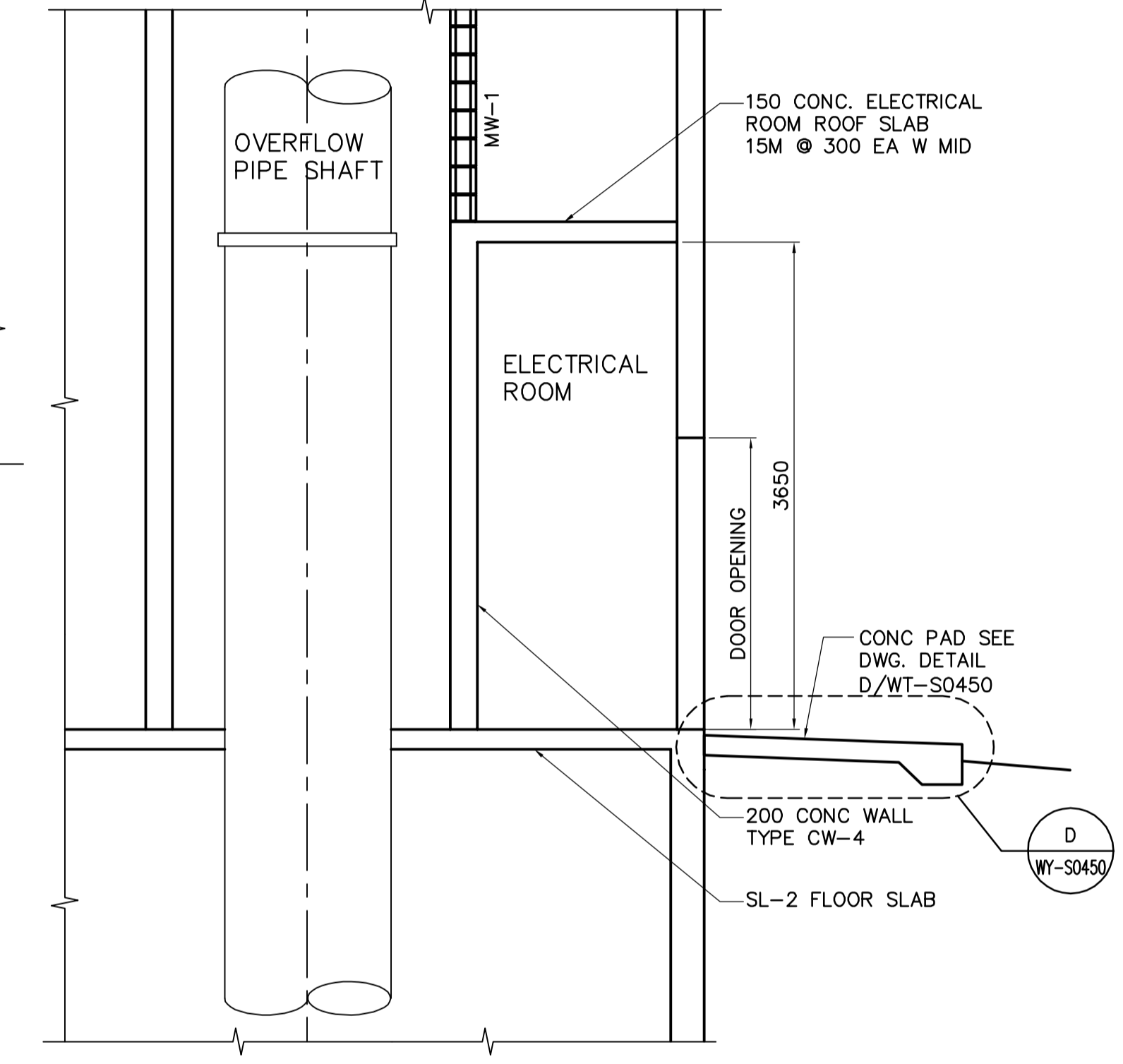
B PARTIAL DETAIL PLAN @ MAIN ENTRY
WY-S0150 SCALE: 1:30



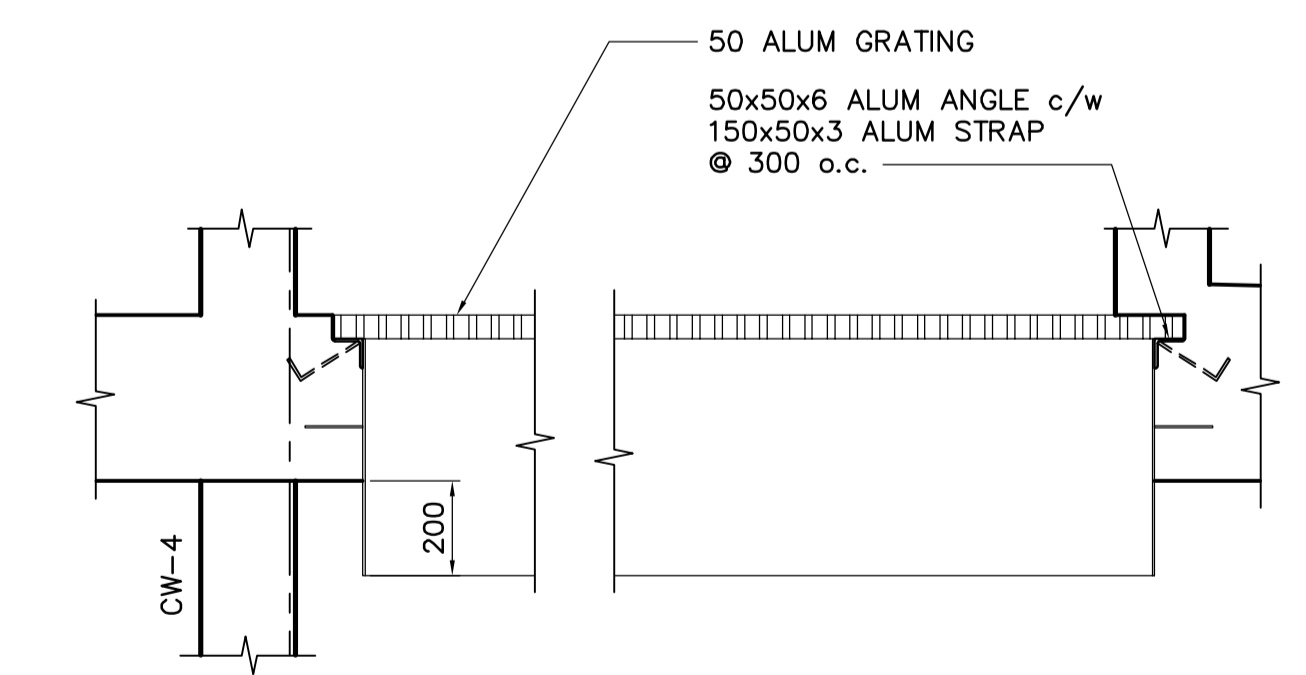
3 SECTION
WY-S0150 1:40



C DETAIL
WY-S0450 N.T.S.



5 SECTION
WY-S0450 1:40



4 SECTION
WY-S0450 N.T.S.

<p>APEGM Certificate of Authorization Earth Tech Canada Inc. No. 730 Expiry: April 30, 2007</p>	B.M. ELEV.	<p>Frederickson Cooper ARCHITECTS</p>	<p>EarthTech A Tech International Ltd. Company</p>	ENGINEER'S SEAL	<p>THE CITY OF WINNIPEG WATER AND WASTE DEPARTMENT ENGINEERING DIVISION</p>	
	DESIGNED BY FK			CHECKED BY GGP		ORIGINAL SIGNED BY F.A. KEMP
	DRAWN BY WDB / KK			APPROVED BY AHL		2006/05/03
	SCALE: AS NOTED			RELEASED FOR CONSTRUCTION BY: R. SOROKOWSKI		CONSULTANT DRAWING NO. WY-S0450
00 ISSUED FOR TENDER 06/05/03 KK	NO. REVISIONS DATE BY	DATE 2006/02/06	DATE 2006/05/03	<p>WATER TREATMENT PLANT YARD PIPING AND VALVE CHAMBERS SURGE TOWER CONSTRUCTION</p>	<p>CITY FILE NUMBER SHEET OF CITY DRAWING NUMBER 1-0601Y-A-S0450-001-000</p>	