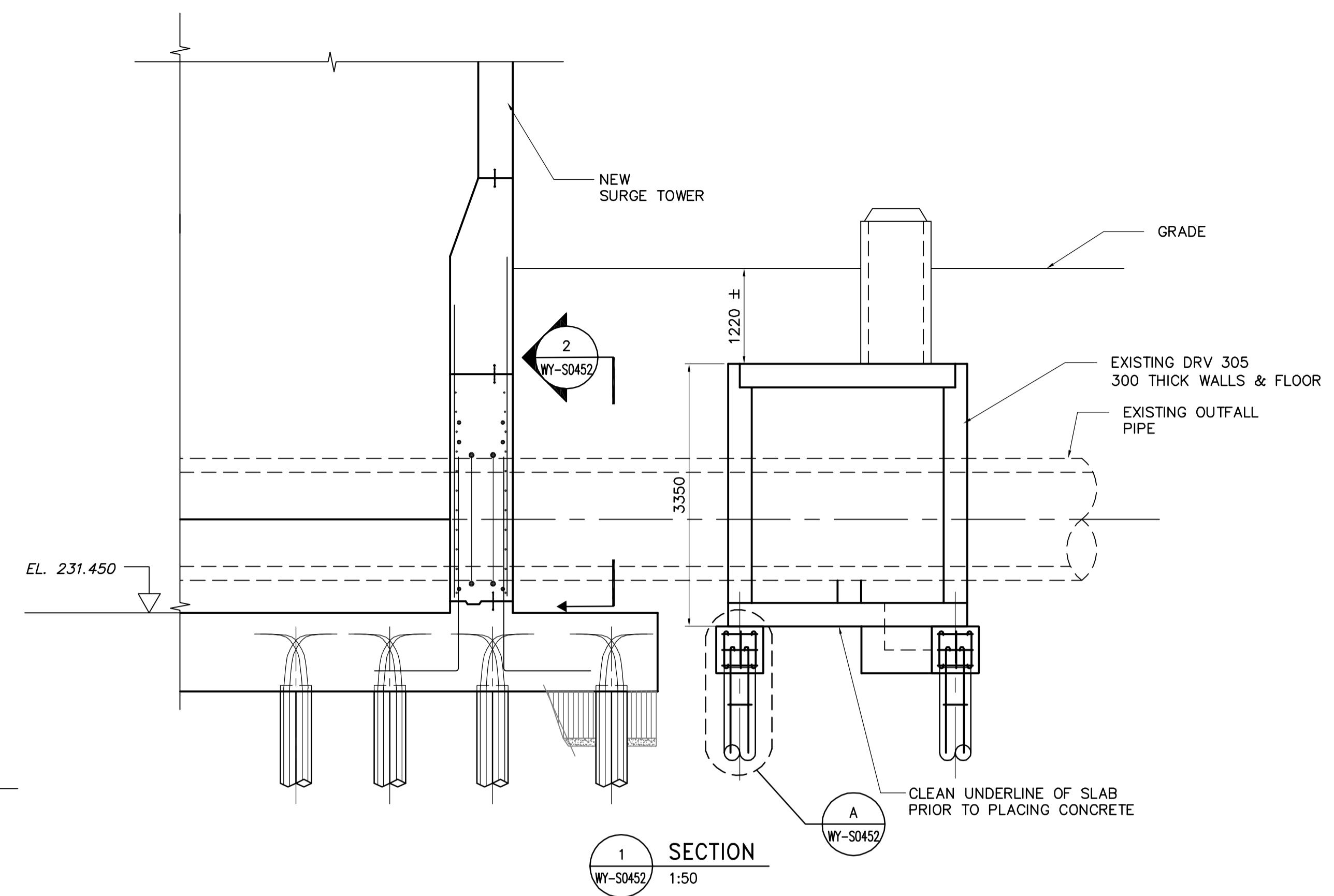
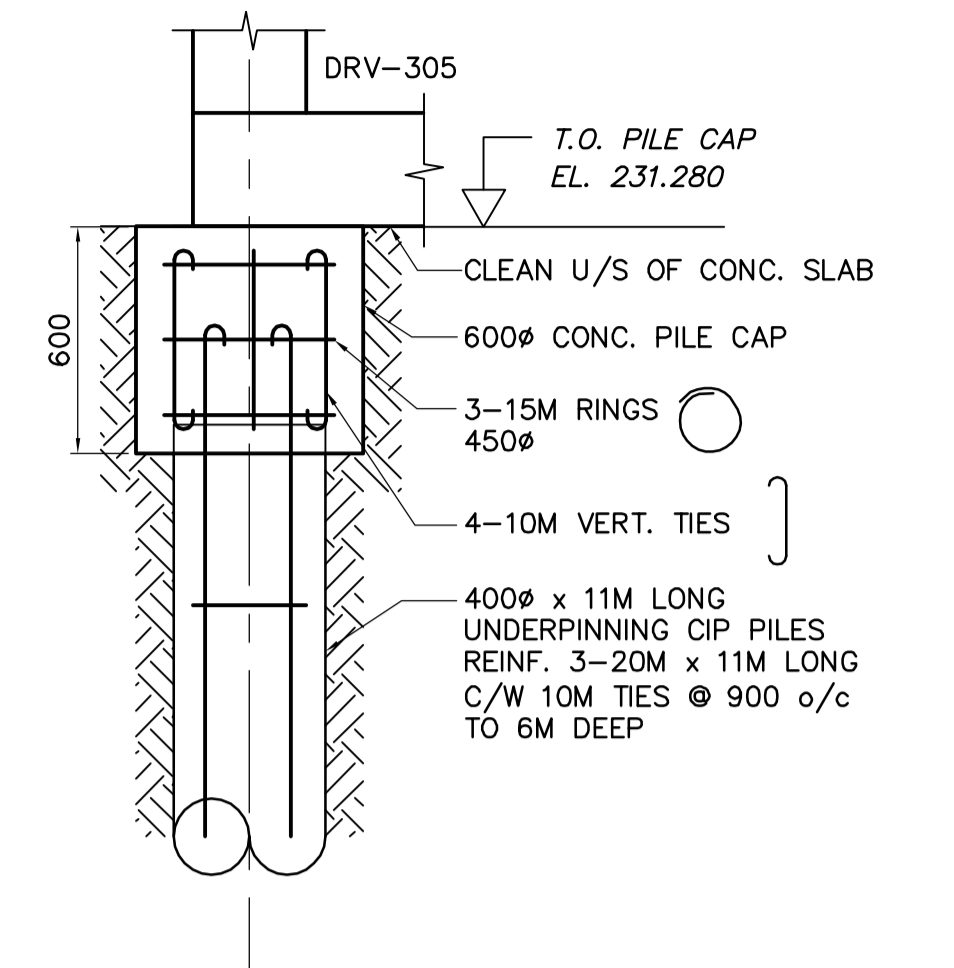


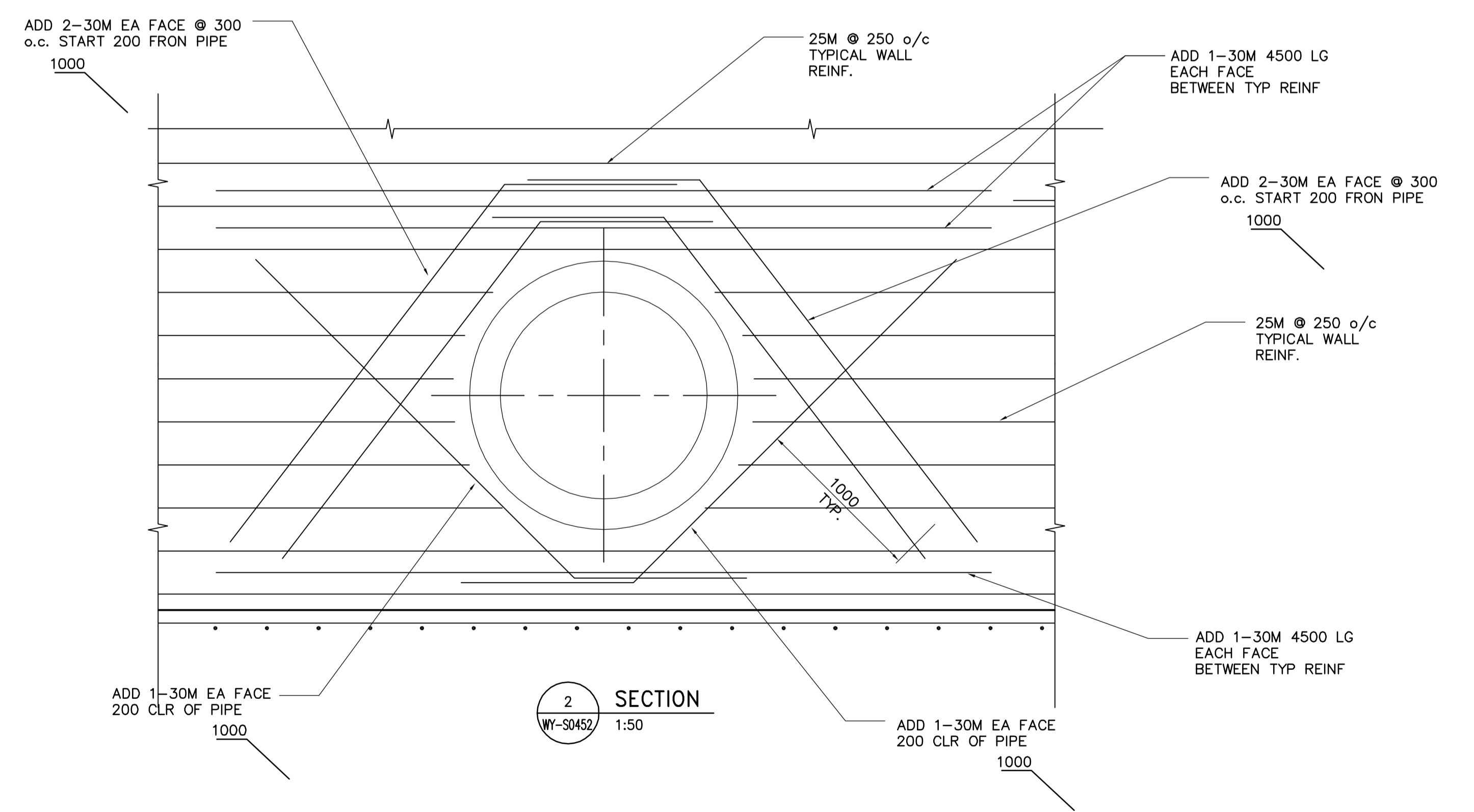
FOUNDATION PLAN
1:50



1 SECTION
1:50



A DETAIL
1:20



2 SECTION
1:50

<p>APEGM Certificate of Authorization Earth Tech Canada Inc. No. 730 Expiry: April 30, 2007</p>	B.M. ELEV.	<p>Frederickson Cooper ARCHITECTS</p>	<p>EarthTech A Tyco International Ltd. Company</p>	ENGINEER'S SEAL	<p>THE CITY OF WINNIPEG WATER AND WASTE DEPARTMENT ENGINEERING DIVISION</p>		
				DESIGNED BY: FK		CHECKED BY: GGP	ORIGINAL SIGNED BY: F.A. KEMP
				DRAWN BY: GGP / KK		APPROVED BY: AHL	2006/05/03
				SCALE: AS NOTED		RELEASED FOR CONSTRUCTION BY: R. SOROKOWSKI	CONSULTANT DRAWING NO. WY-S0452
	NO. REVISIONS	DATE	DATE	DATE	<p>WATER TREATMENT PLANT YARD PIPING AND VALVE CHAMBERS SURGE TOWER CONSTRUCTION</p> <p>STRUCTURAL UNDERPINNING OF VALVE CHAMBER DRV 305</p>	<p>CITY FILE NUMBER</p> <p>SHEET OF</p> <p>CITY DRAWING NUMBER</p> <p>1-0601Y-A-S0452-001-000</p>	