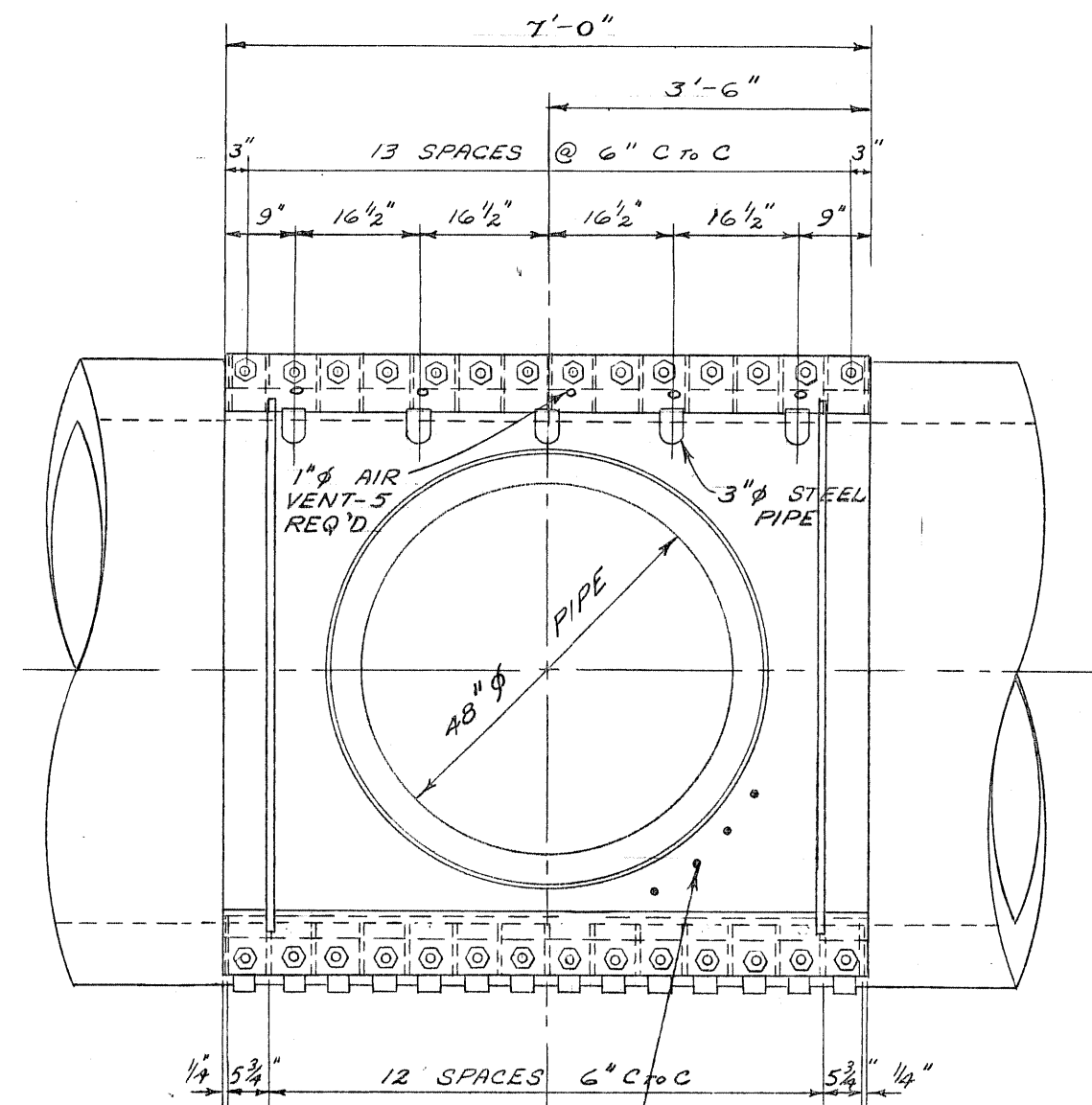
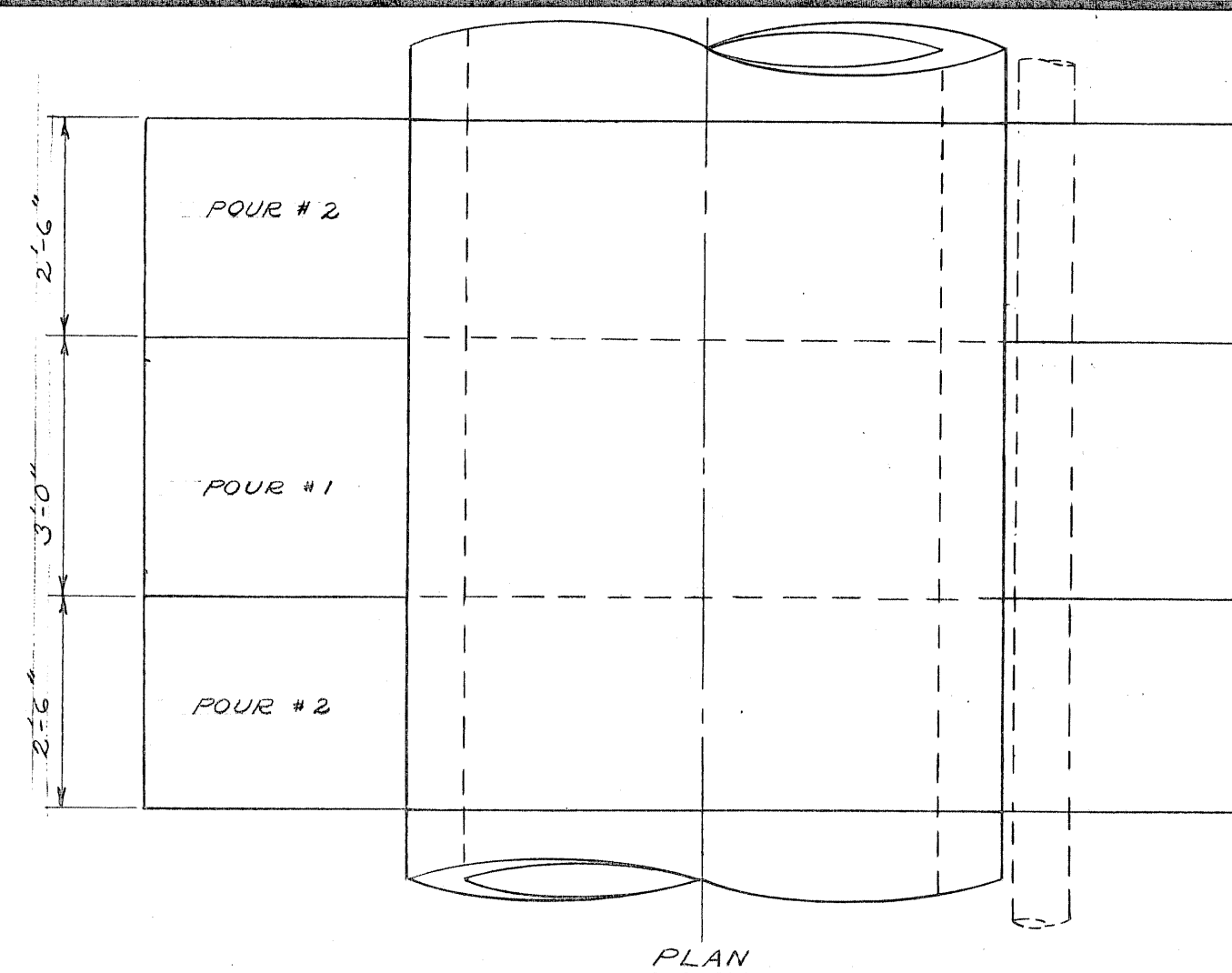


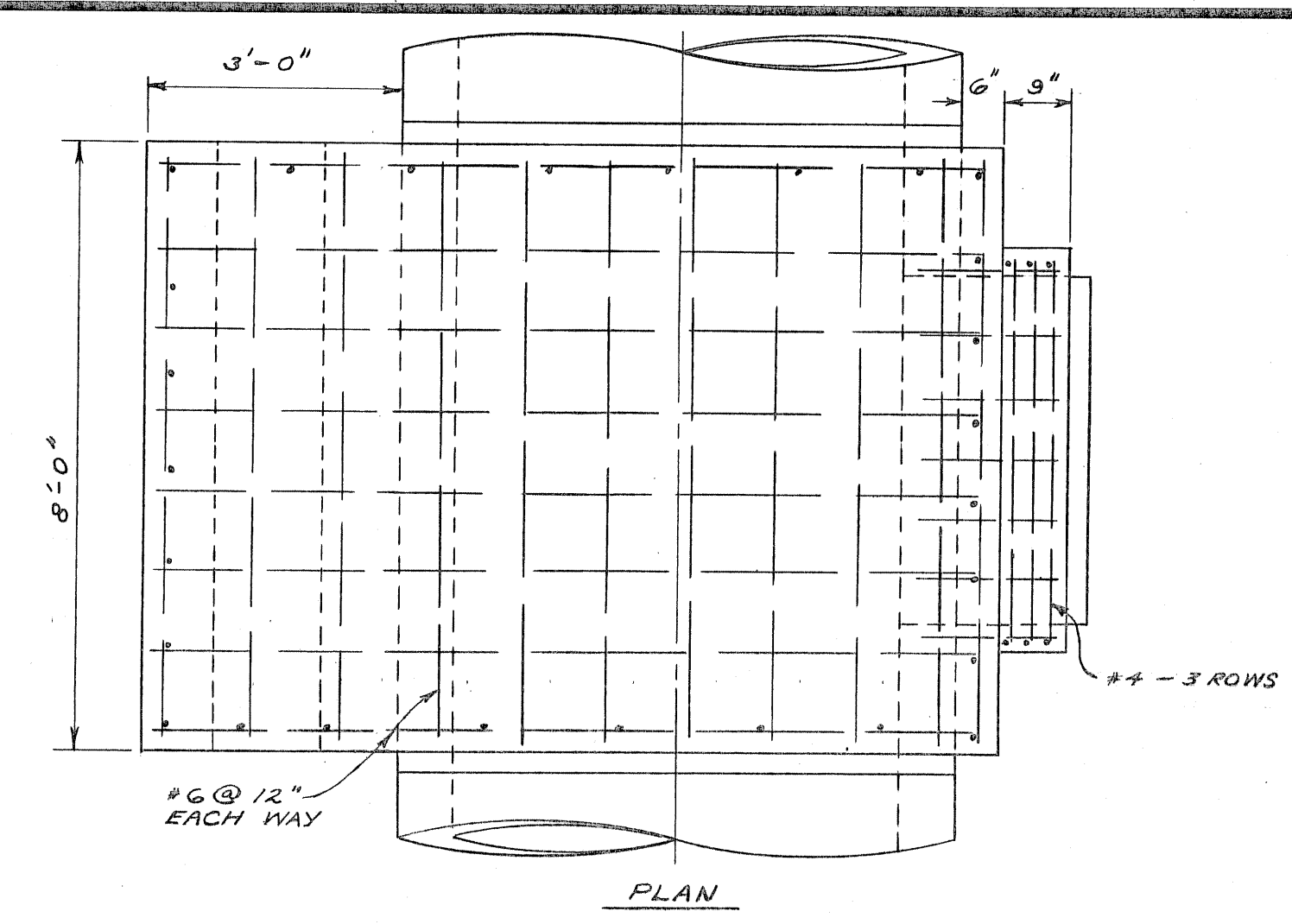
SADDLE INSTALLATION ON 66"  $\phi$  PIPE



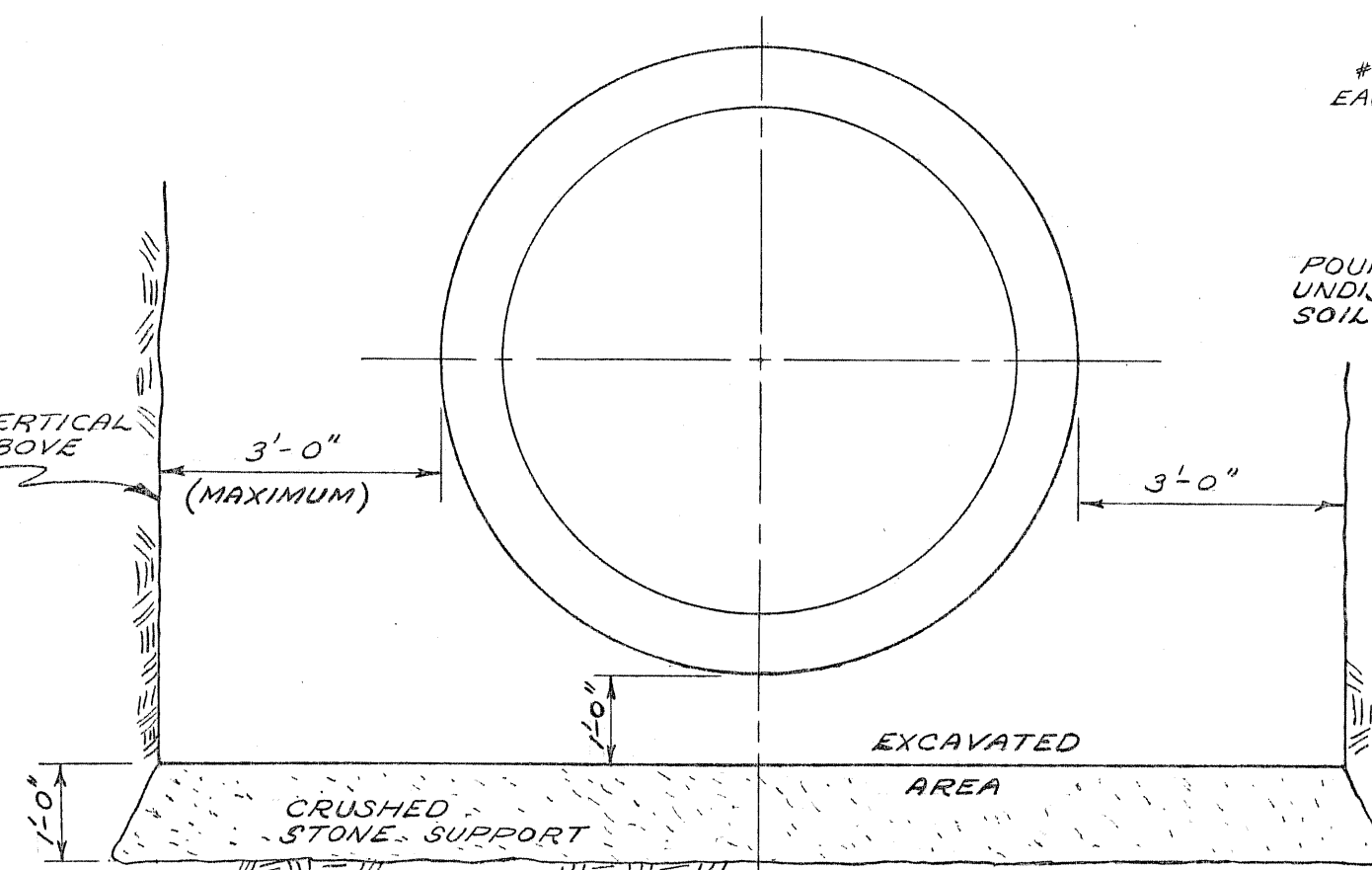
HOLES DRILLED AND TAPPED TO ACCEPT 1/2"  $\phi$  NIPPLE. HOLES 3" FROM NECK AND 12" APART. COLMA FIX LV COMPOUND PUMPED INTO NIPPLES TO SEAL STEEL SADDLE TO CONCRETE.



PLAN

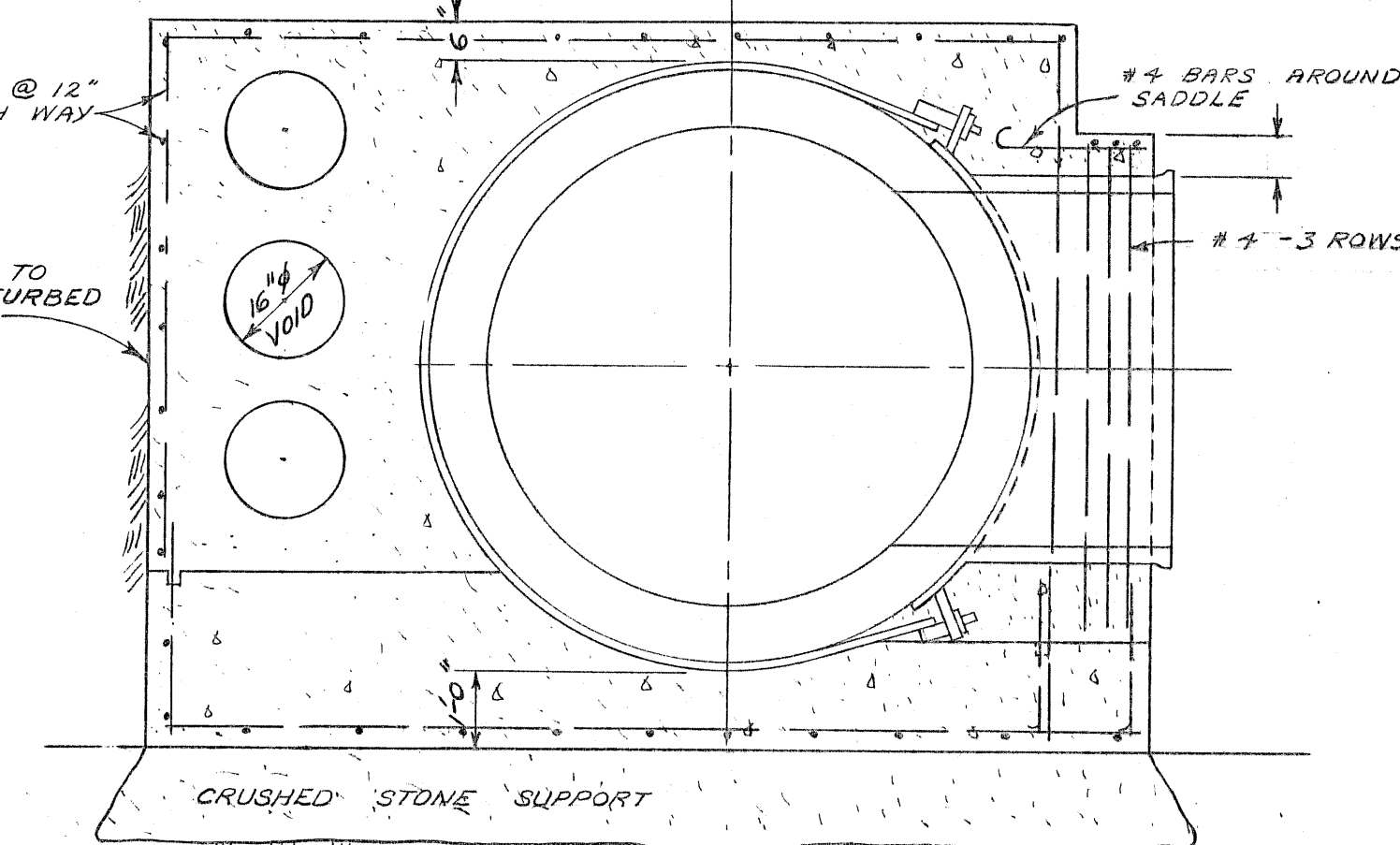


PLAN



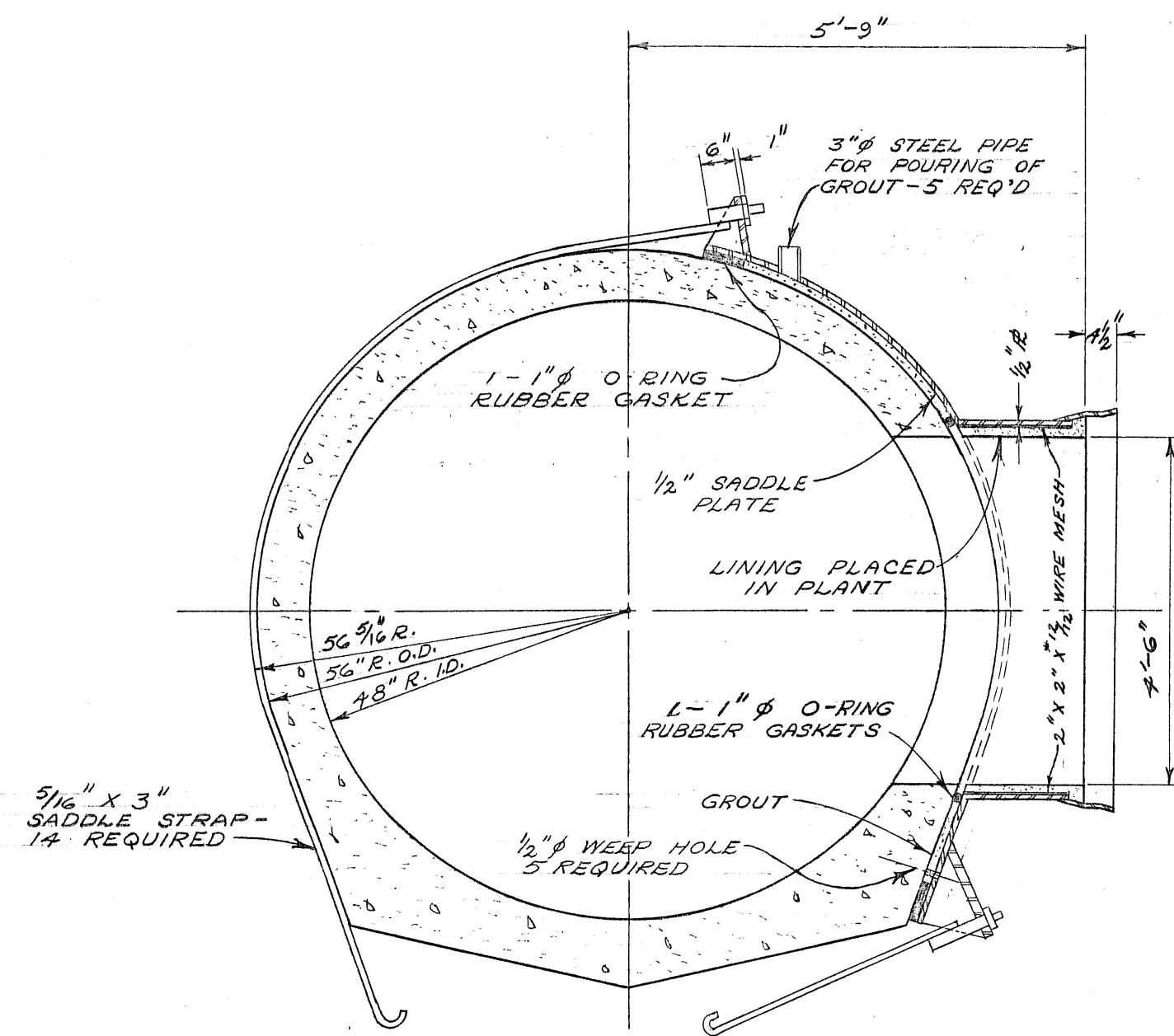
SECTION

STAGE 1 FOR 66"  $\phi$  & 96"  $\phi$

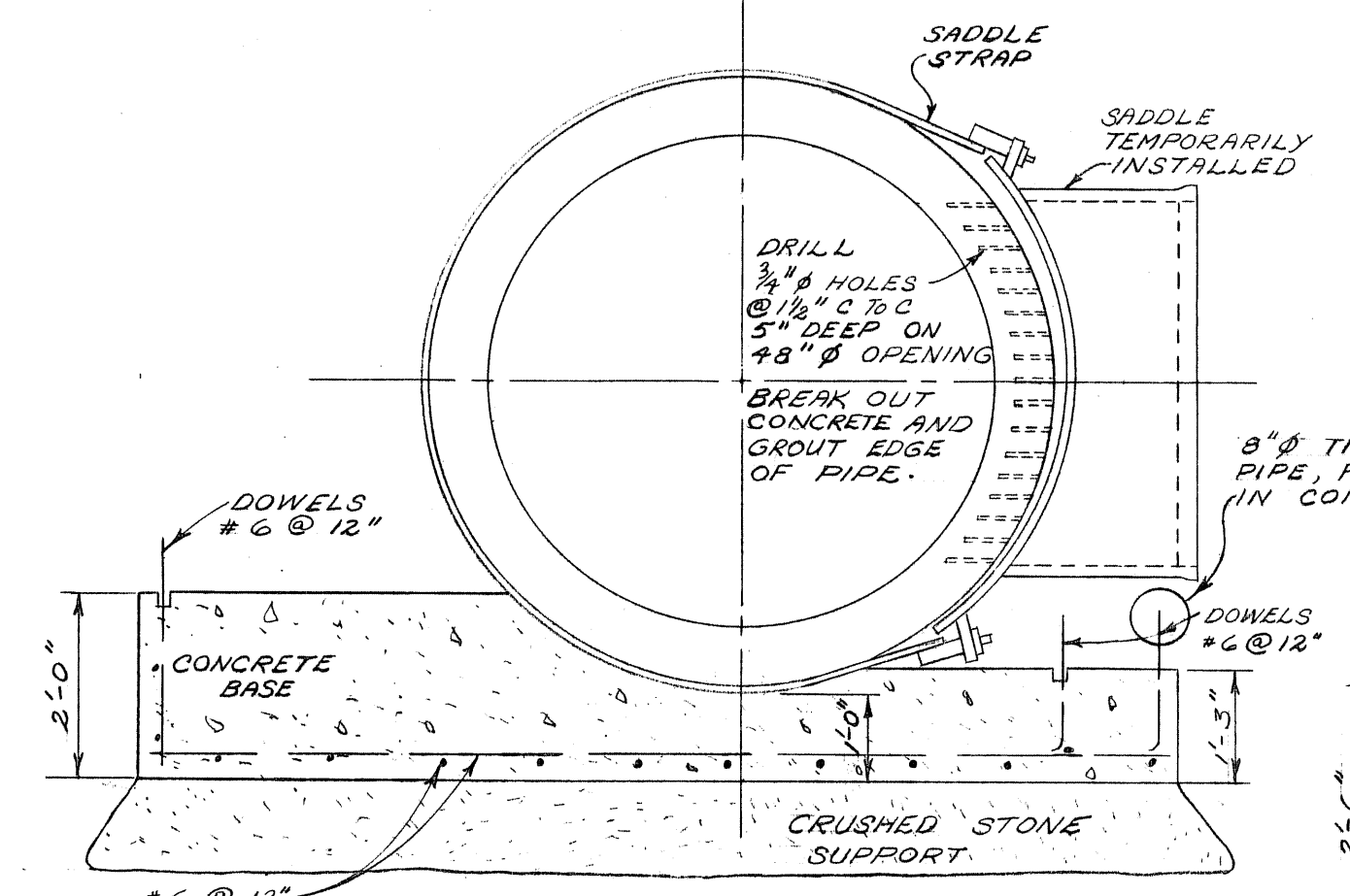
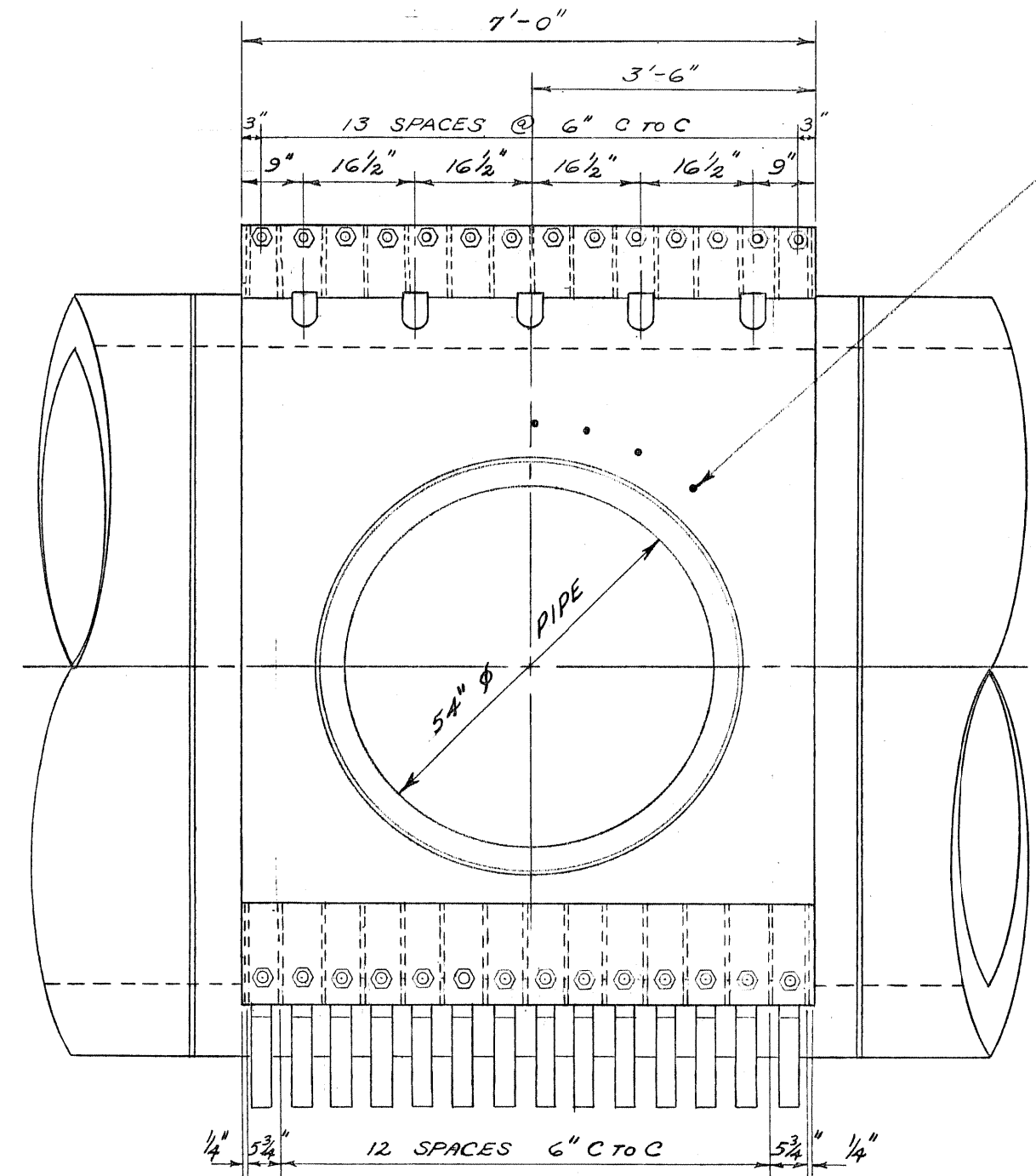


SECTION

STAGE 3 FOR 66"  $\phi$  & 96"  $\phi$

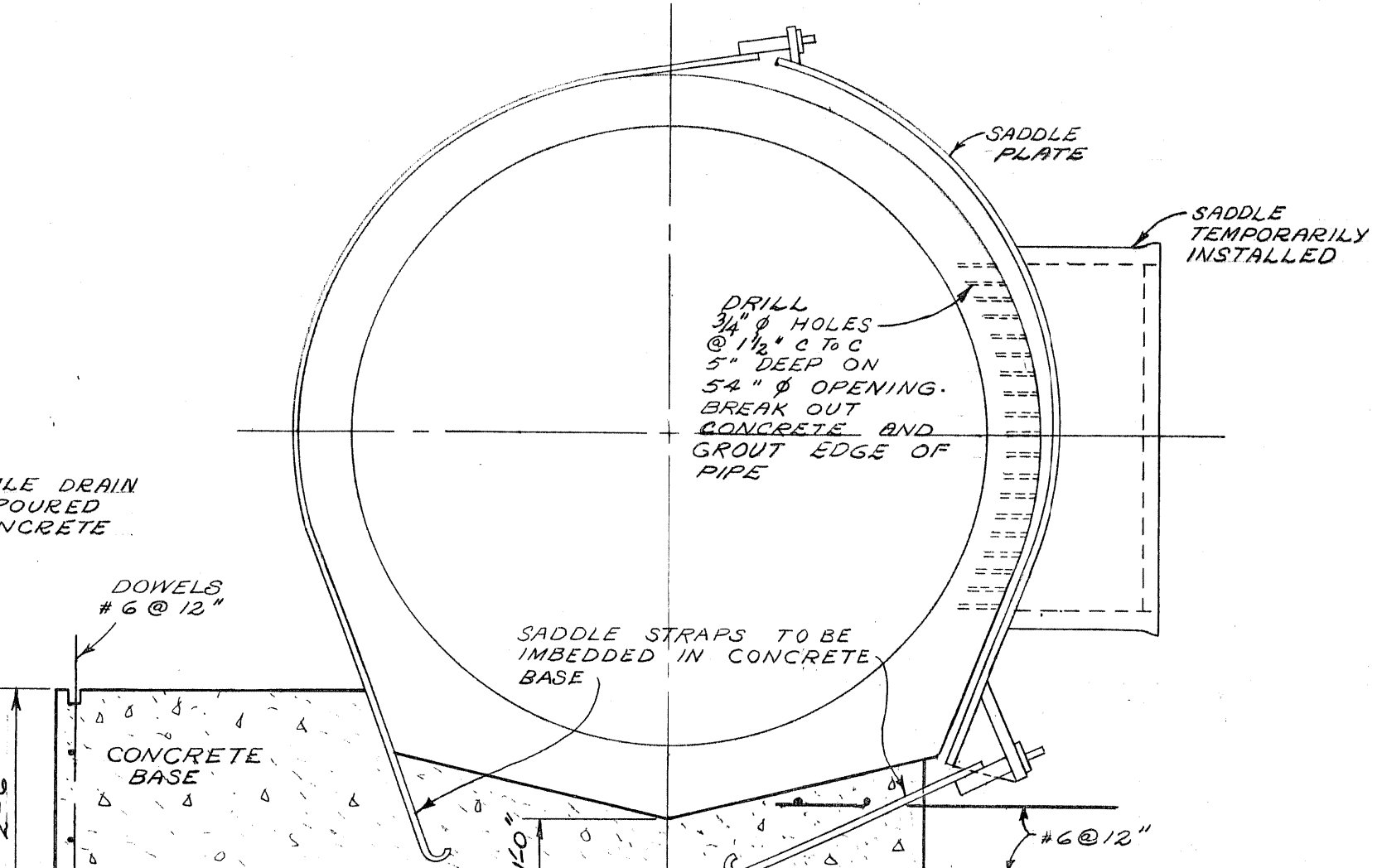


SADDLE INSTALLATION ON 96"  $\phi$  PIPE



SECTION

STAGE 2 FOR 66"  $\phi$  PIPE



SECTION

STAGE 2 FOR 96"  $\phi$  PIPE

SURVEYED & PLAN CHECKED BY: APPROVED AS BUILT. BY: V.D. Apr 173

REFERENCE ONLY  
 PROVINCE OF MANITOBA  
 A.C. MACKAY  
 REGISTERED ENGINEER

THE METROPOLITAN CORPORATION OF GREATER WINNIPEG  
 WATERWORKS & WASTE DISPOSAL DIVISION  
 A. PENMAN - DIRECTOR

WATERWORKS DEPT. DES. CH'KD. DRN. V. Dumore DATE APR. 170  
 DEACON RESERVOIR STAGE I  
 AQUEDUCT CONNECTION DETAILS

SCALES 1/2" = 1'-0"  
 DRAWING NO. D-1223

D-1223