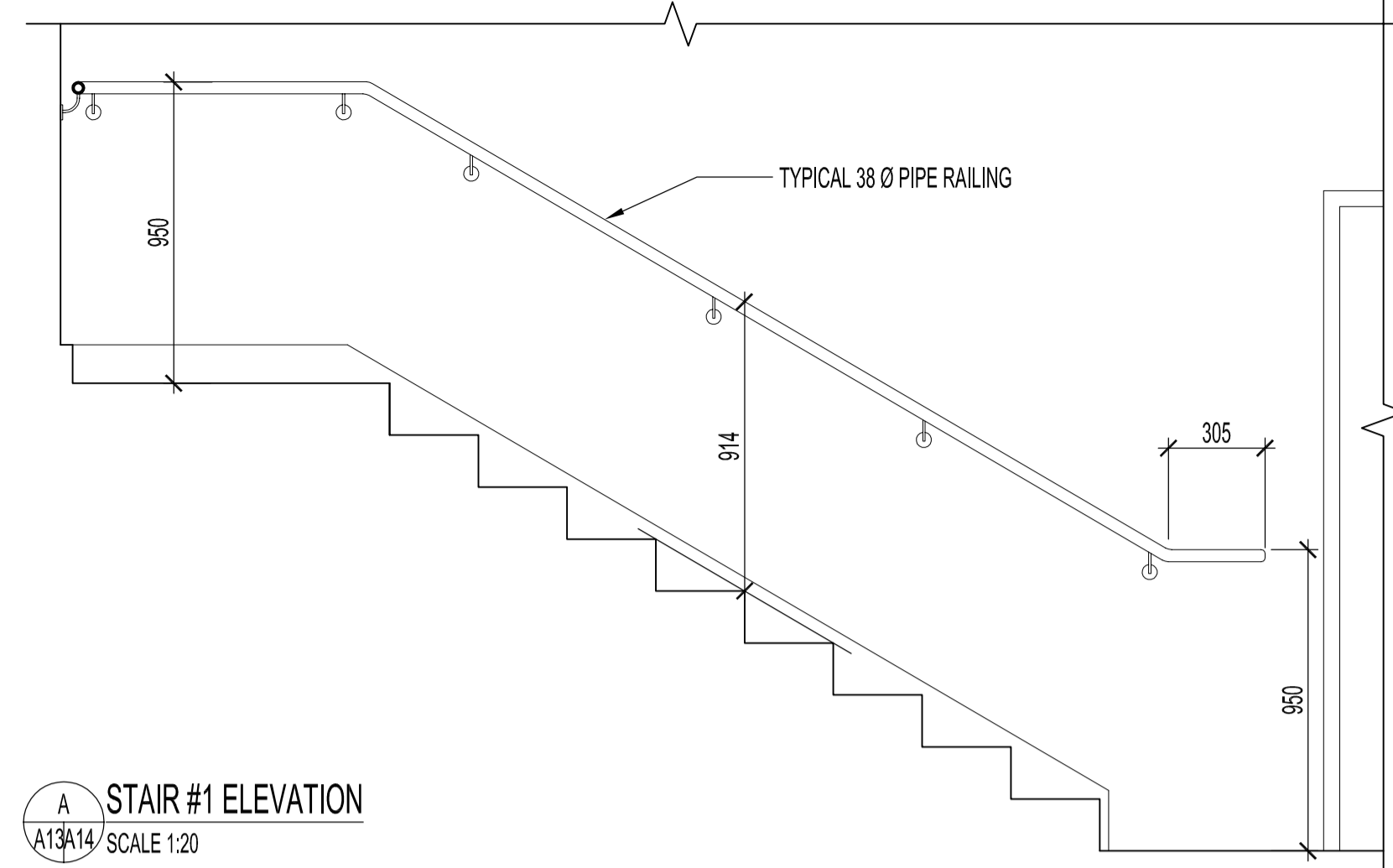
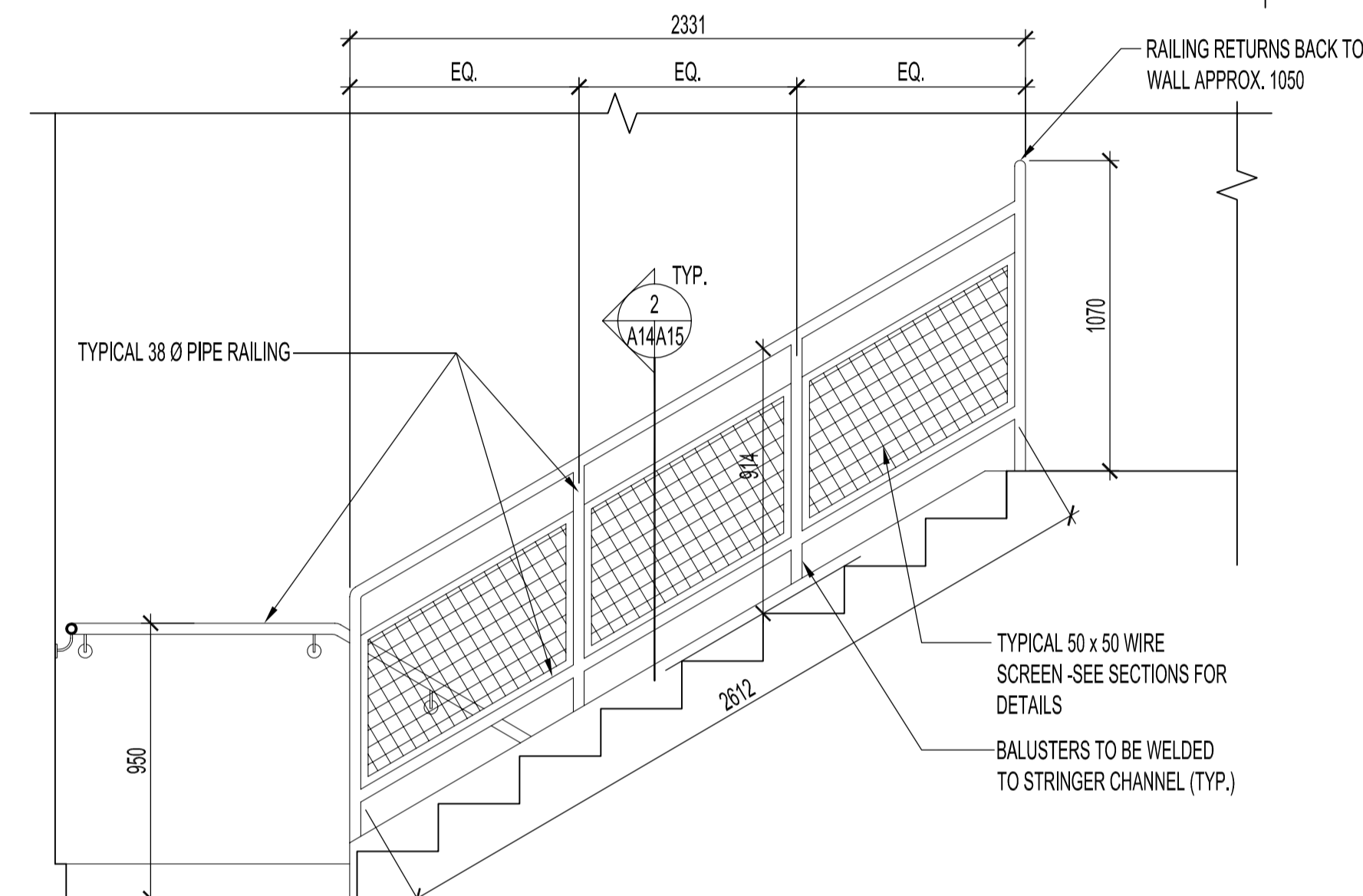


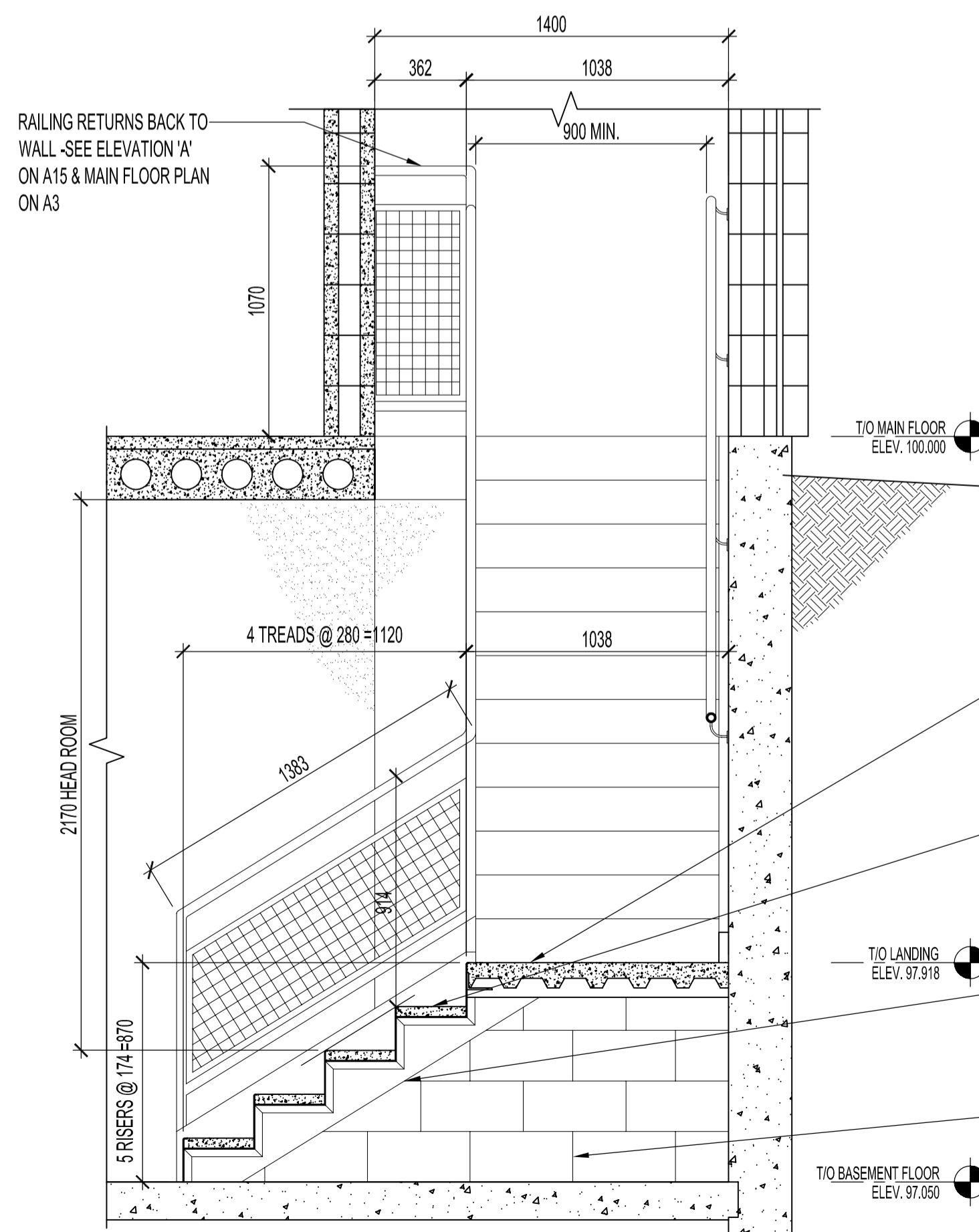
1 STAIR #1 SECTION  
A13/A14 SCALE 1:20



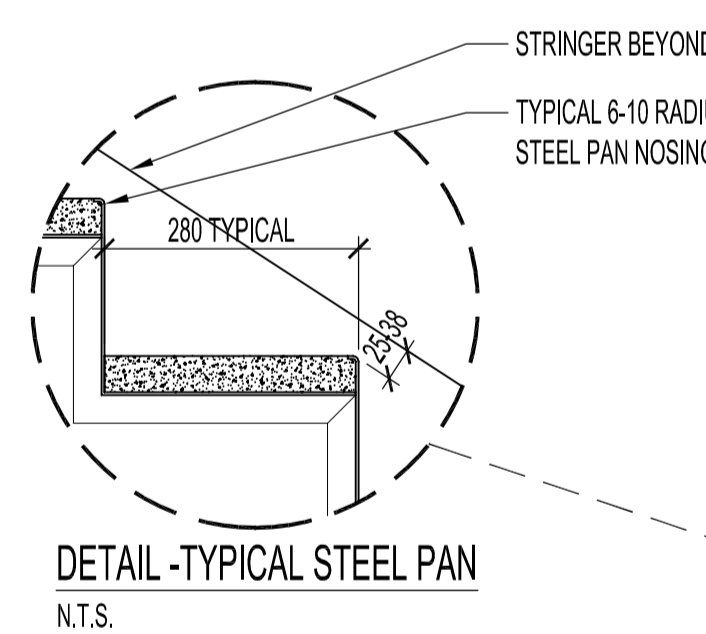
A STAIR #1 ELEVATION  
A13/A14 SCALE 1:20



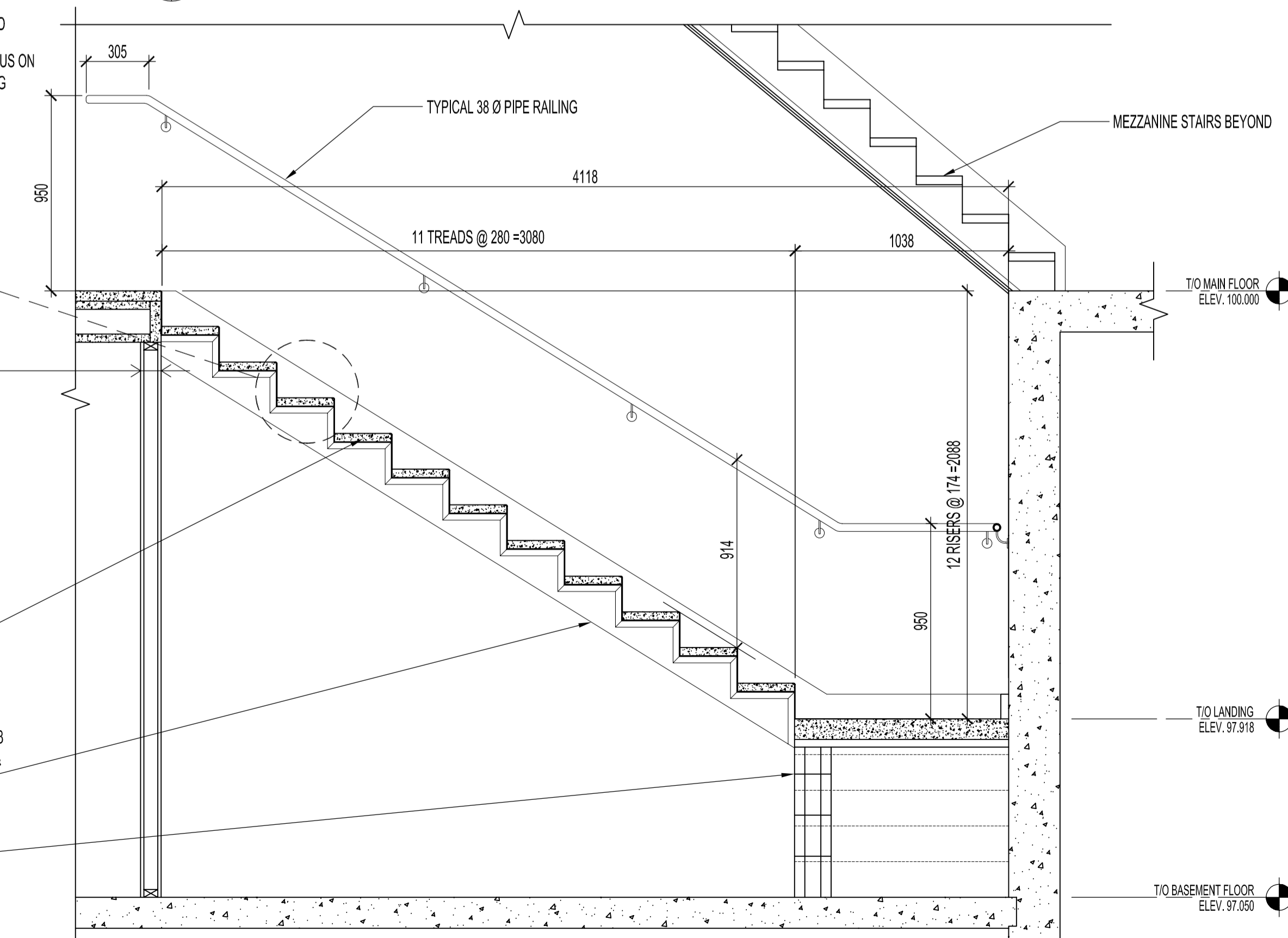
B STAIR #1 ELEVATION  
A13/A14 SCALE 1:20



2 STAIR #2 SECTION  
A13/A14 SCALE 1:20



DETAIL - TYPICAL STEEL PAN  
N.T.S.



3 STAIR #2 SECTION  
A13/A14 SCALE 1:20

ORIGINAL STAMPED BY: R. K. FOK LI Arch.  
DATE: 2006.07.18

NO.	REVISION/DESCRIPTION	BY	DATE
SEALS			

DRAWN BY	MMK	CHECKED BY	APPROVED
DATE	2006.07.10	USER APPROVAL	

CITY OF WINNIPEG  
PLANNING, PROPERTY &  
DEVELOPMENT DEPARTMENT  
CIVIC ACCOMMODATIONS DIVISION  
300 - 65 GARRY ST. R3C 4K4

PROJECT  
WEST TRANSCONA  
FIRE PARAMEDIC STATION 21

1446 REGENT AVENUE W.

SHEET TITLE

STAIR SECTIONS  
ELEVATIONS

METRIC  
WHOLE NUMBERS ARE IN MILLIMETRES,  
DECIMALIZED NUMBERS ARE IN METRES

SCALE	PROJECT NO.	SHEET NO.
AS SHOWN	2004-058	A14