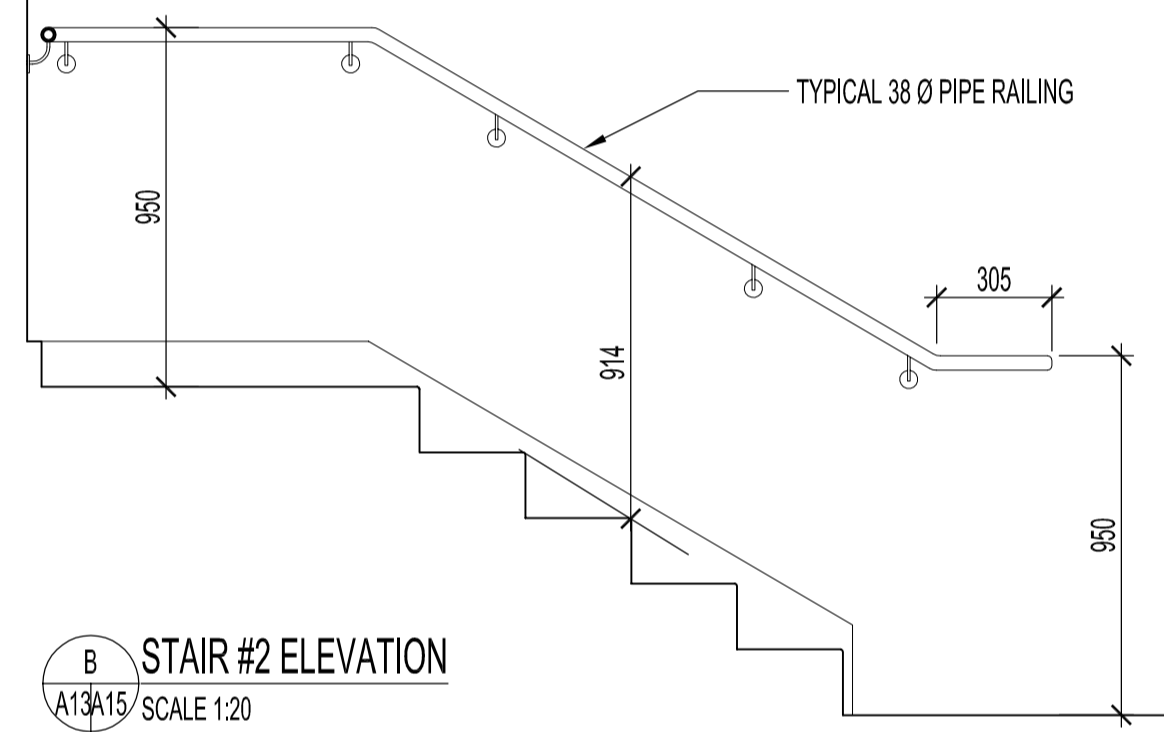
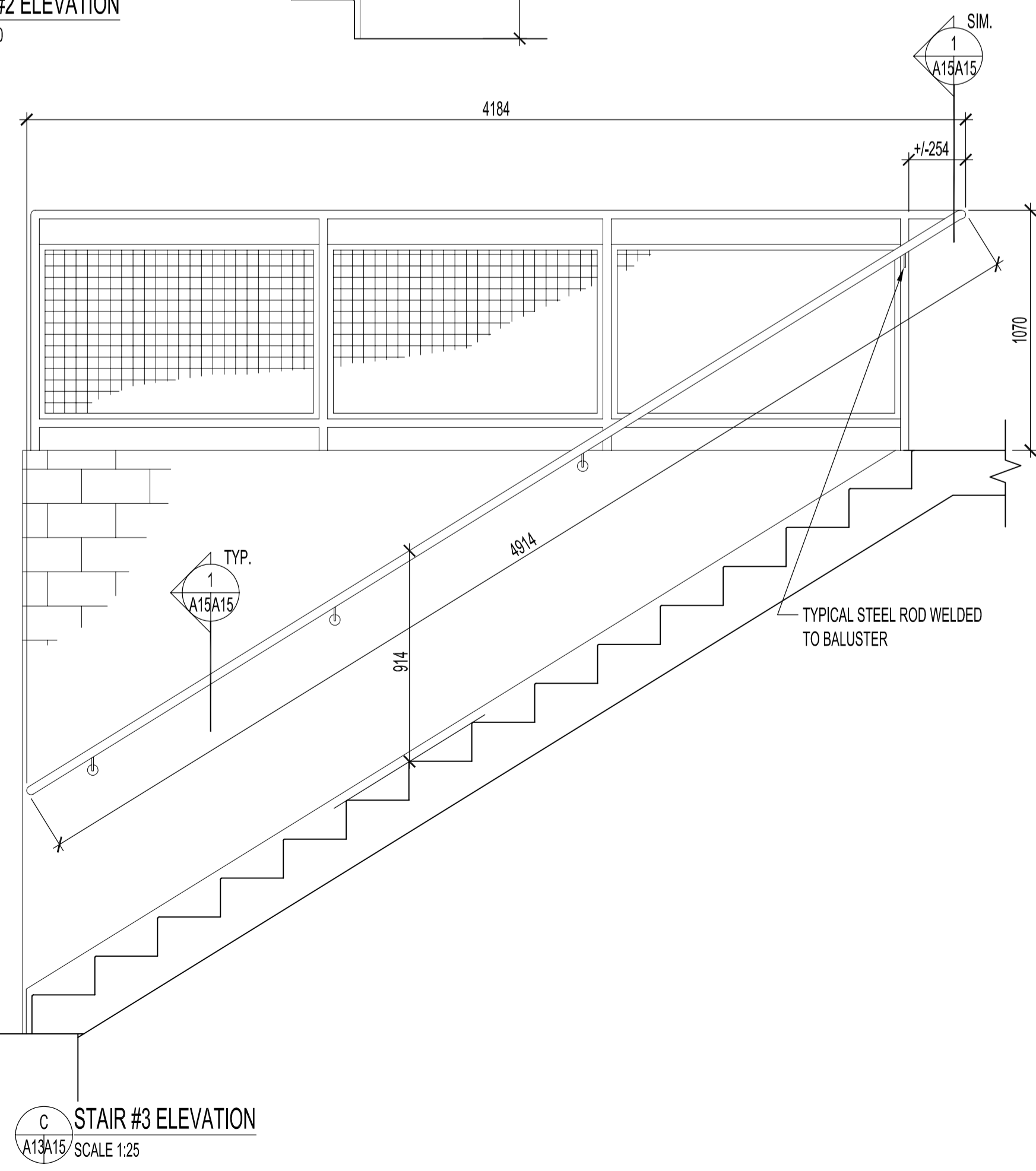


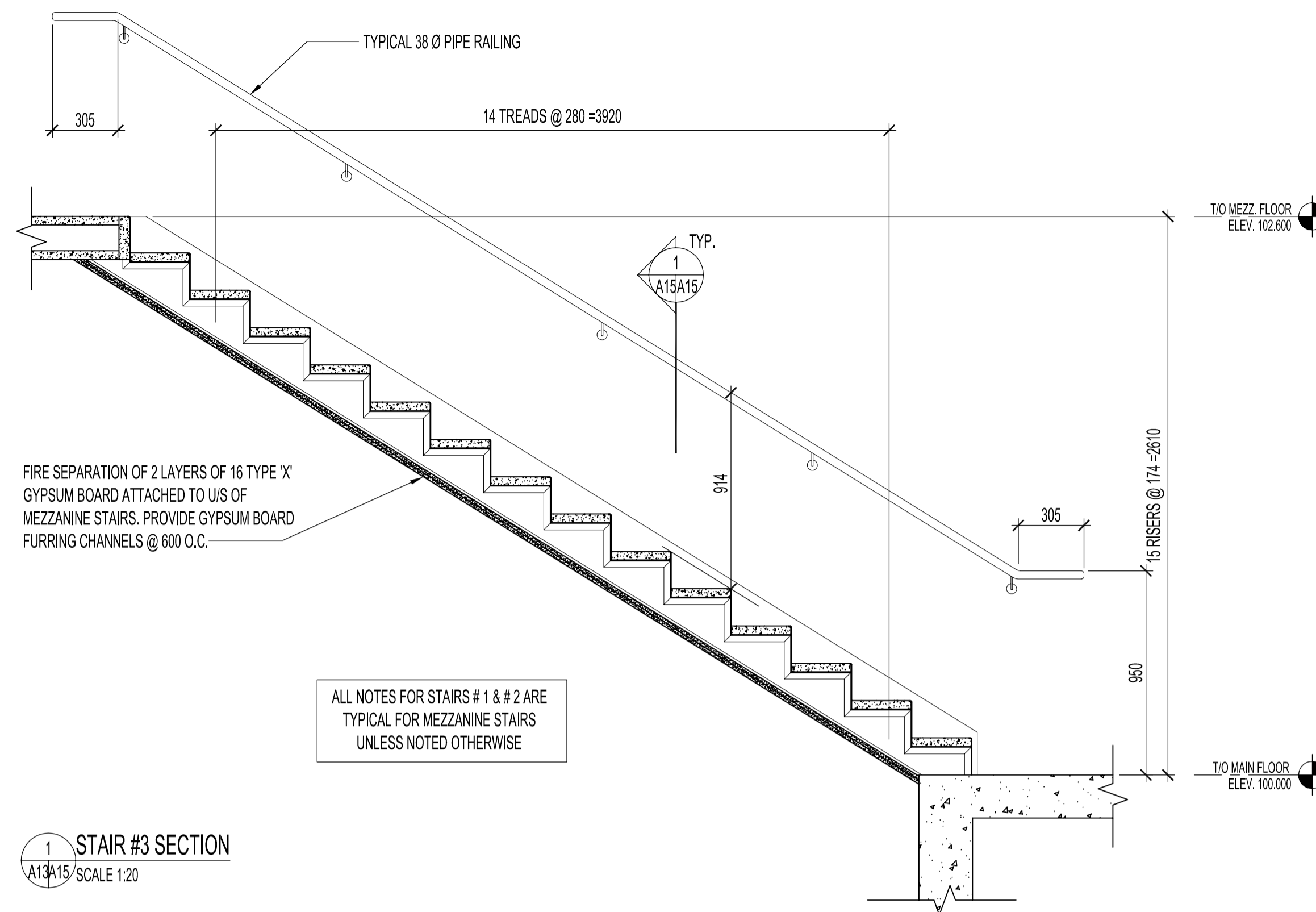
A STAIR #2 ELEVATION
A13/A15 SCALE 1:20



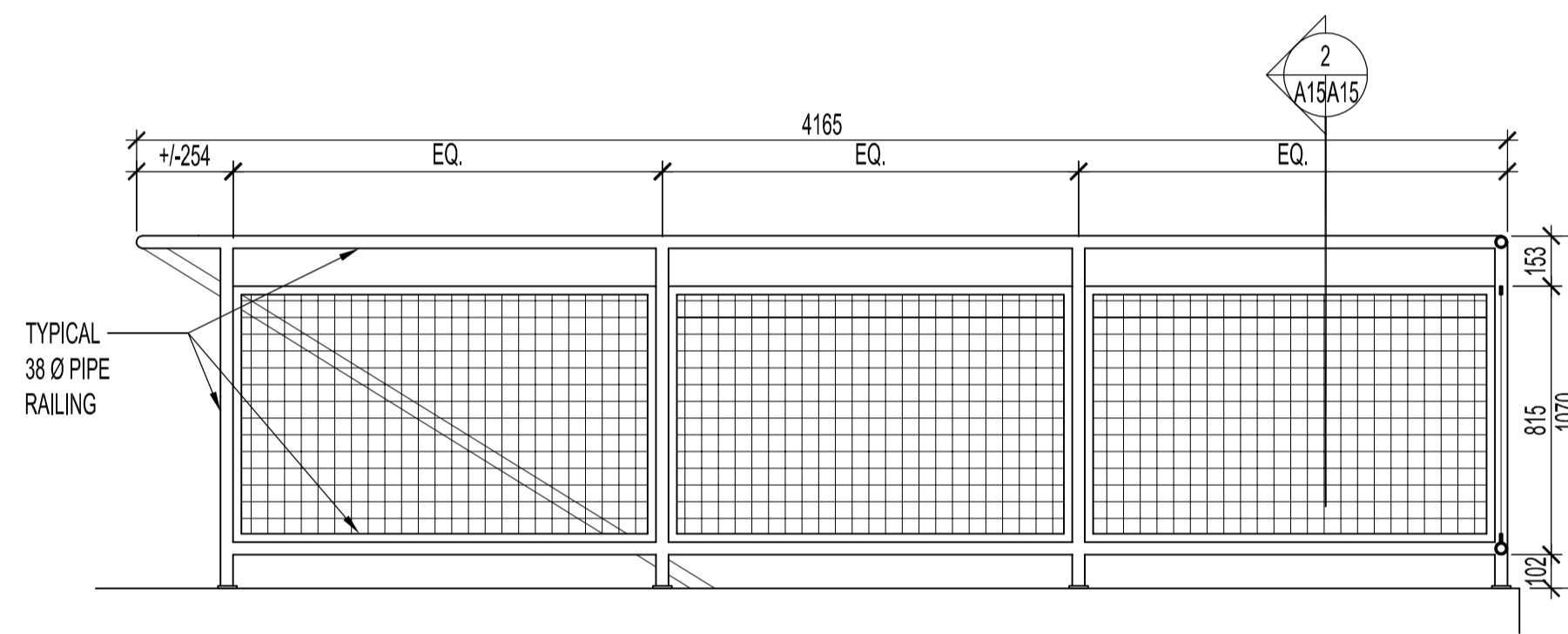
B STAIR #2 ELEVATION
A13/A15 SCALE 1:20



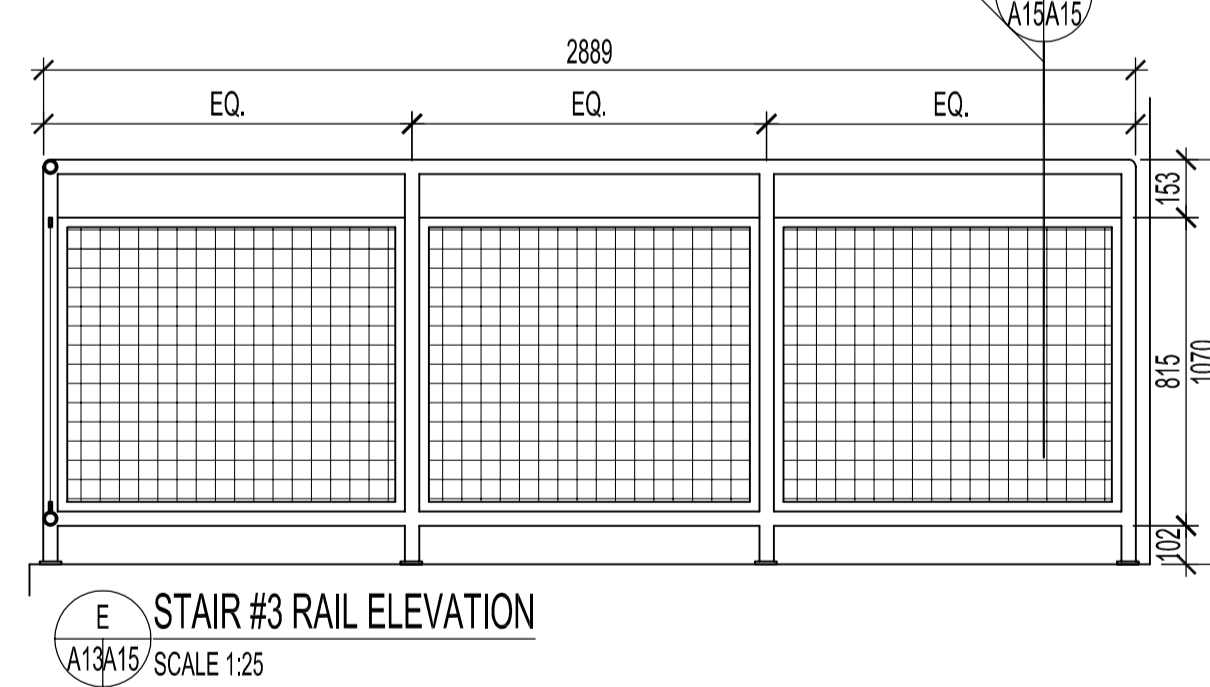
C STAIR #3 ELEVATION
A13/A15 SCALE 1:25



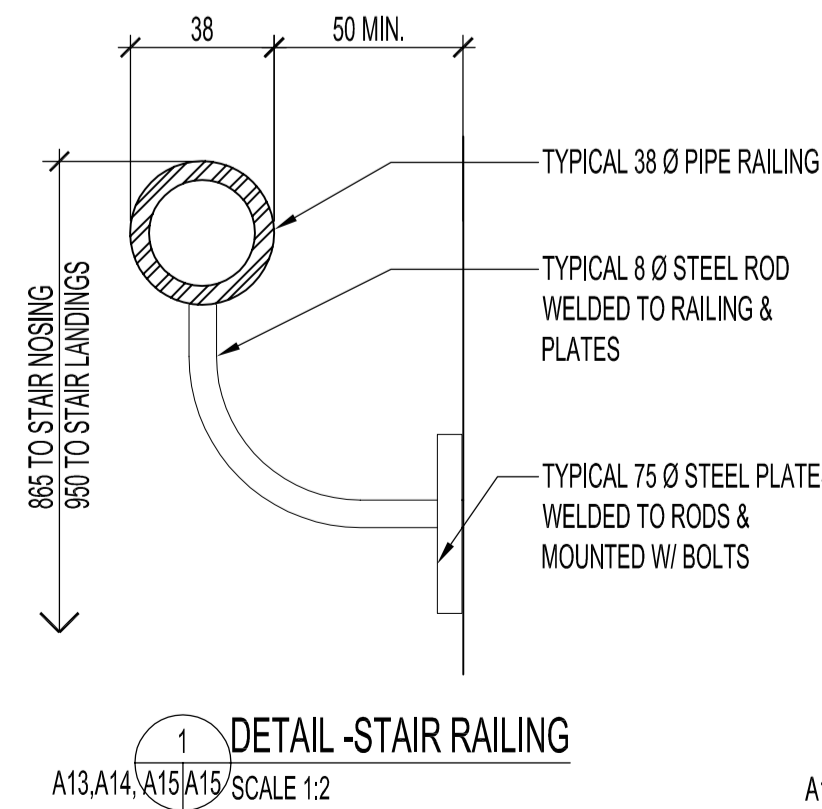
1 STAIR #3 SECTION
A13/A15 SCALE 1:20



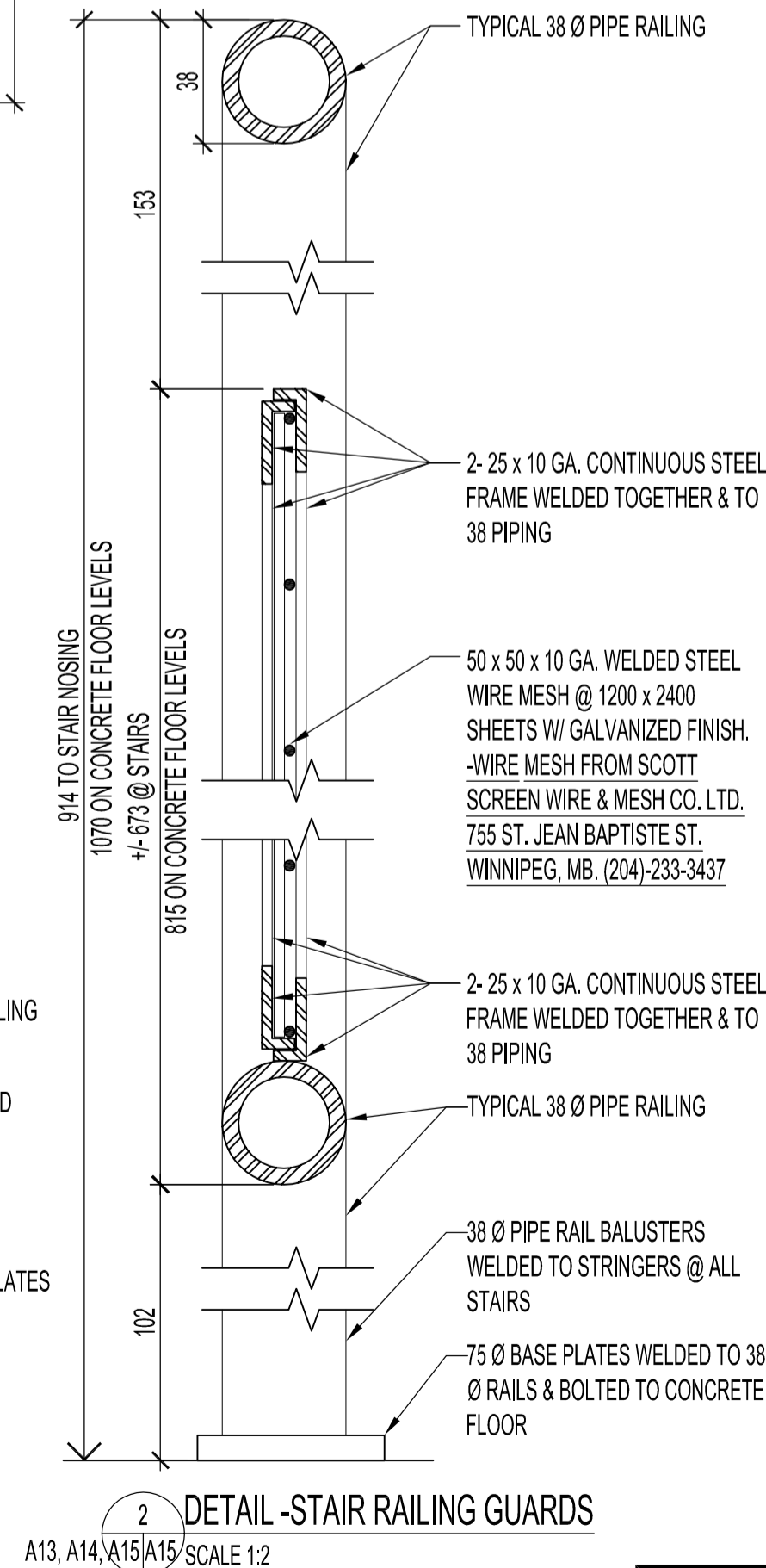
D STAIR #3 RAIL ELEVATION
A13/A15 SCALE 1:20



E STAIR #3 RAIL ELEVATION
A13/A15 SCALE 1:25



1 DETAIL -STAIR RAILING
A13,A14,A15/A15 SCALE 1:2



2 DETAIL -STAIR RAILING GUARDS
A13, A14, A15/A15 SCALE 1:2

NOTES :
GENERAL NOTES:
-ALL METAL SURFACES TO BE PRIMED & PAINTED W/ 2 COATS ENAMEL.
-ALL METAL PIPE RAILING TO BE 38 Ø.
-ALL SECTIONS ARE TYPICAL FOR ALL STAIRS UNLESS NOTED OTHERWISE.
-FOR ALL OTHER FINISHES NOT NOTED SEE SPECIFICATIONS.

ORIGINAL STAMPED BY: R. K. FOK LI Arch.
DATE: 2006.07.18

NO.	REVISION/DESCRIPTION	BY	DATE
SEALS			

DRAWN BY: MMK
CHECKED BY: USER APPROVAL
DATE: 2006.07.10

CITY OF WINNIPEG
PLANNING, PROPERTY & DEVELOPMENT DEPARTMENT
CIVIC ACCOMMODATIONS DIVISION
300 - 65 GARRY ST. R3C 4K4

PROJECT
WEST TRANSCONA
FIRE PARAMEDIC STATION 21

1446 REGENT AVENUE W.
SHEET TITLE
STAIR SECTIONS
ELEVATIONS & DETAILS

SCALE	PROJECT NO.	SHEET NO.
AS SHOWN	2004-058	A15