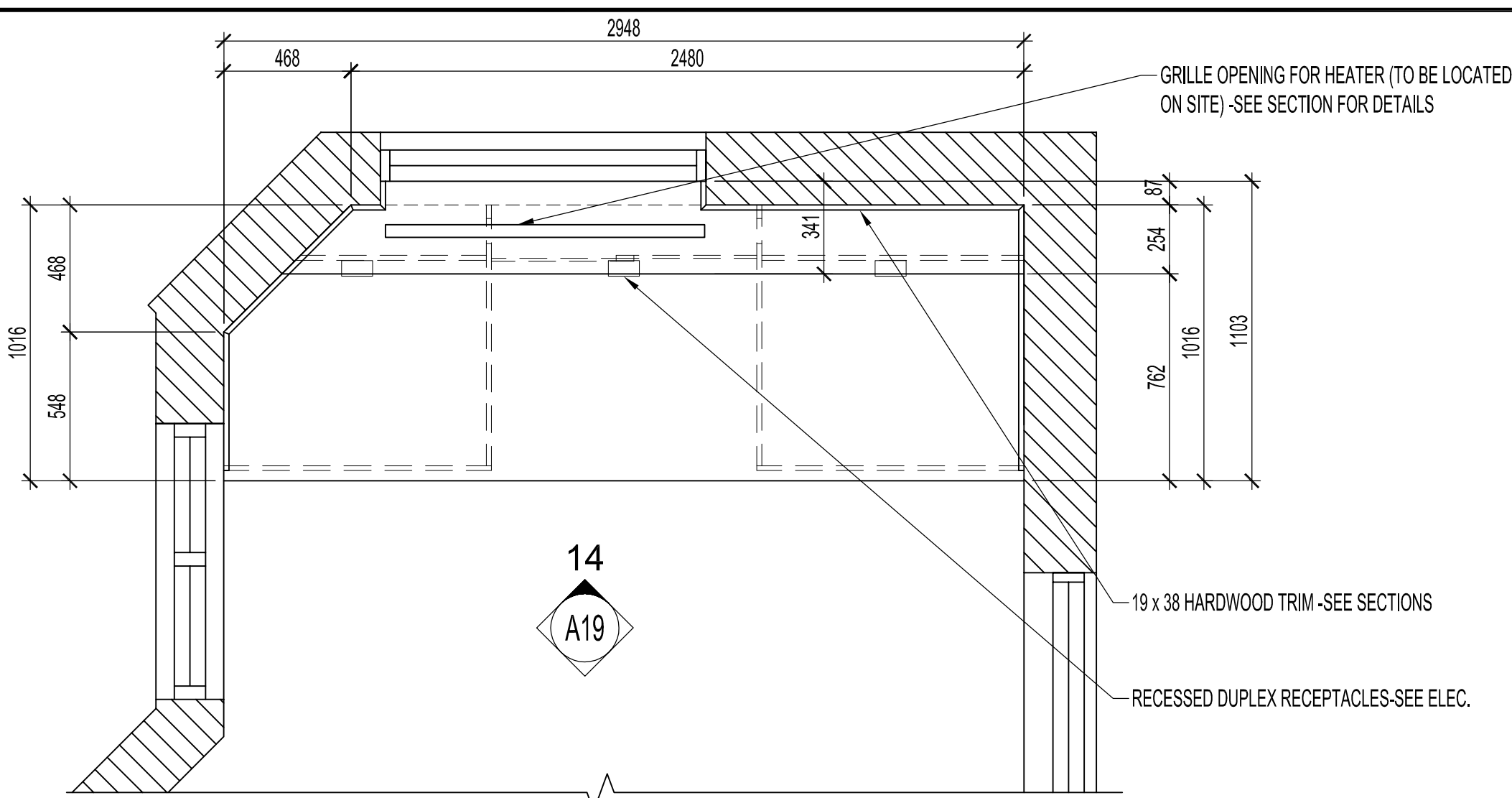
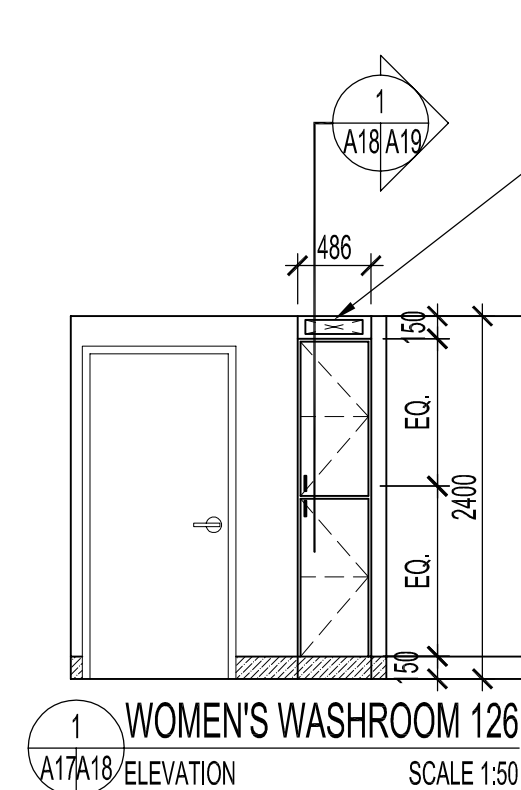


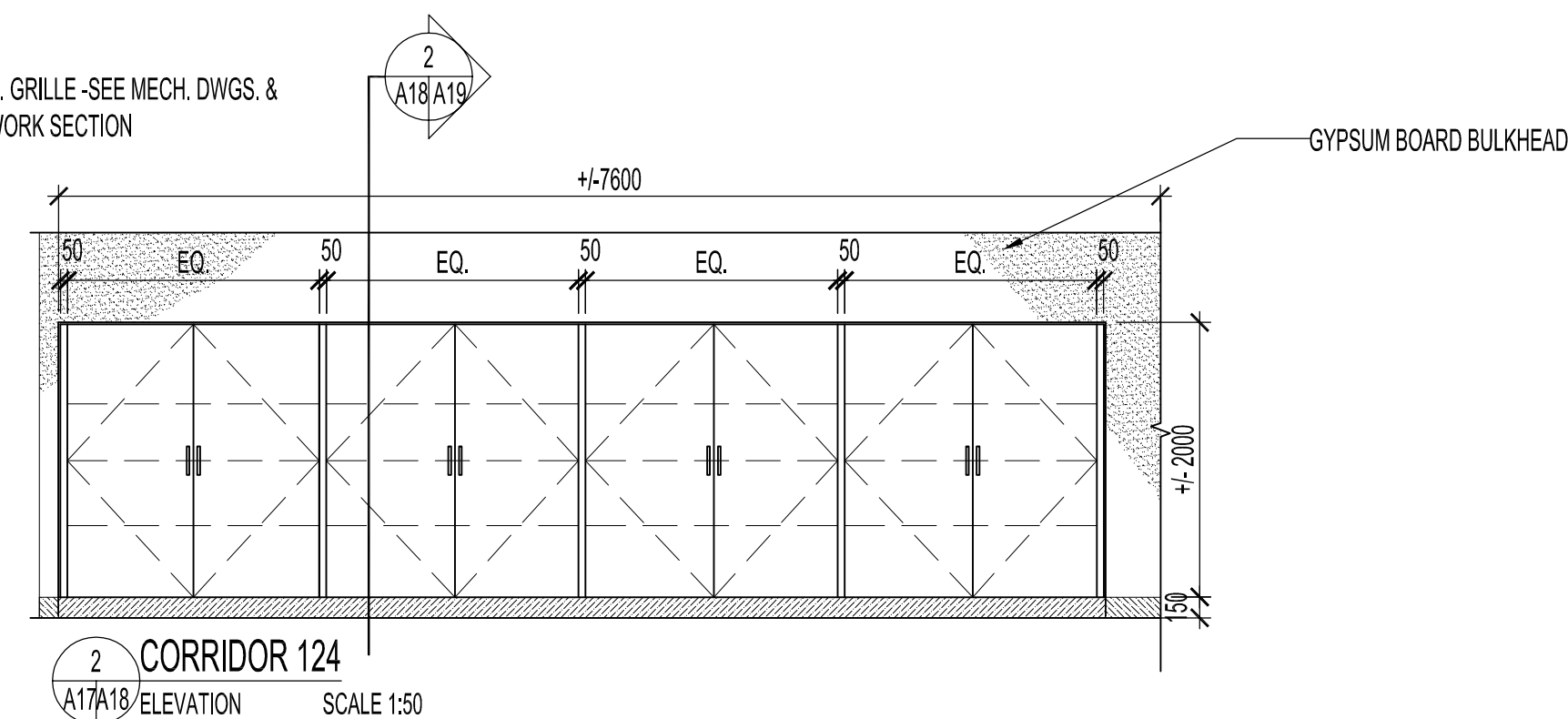
NOTES :



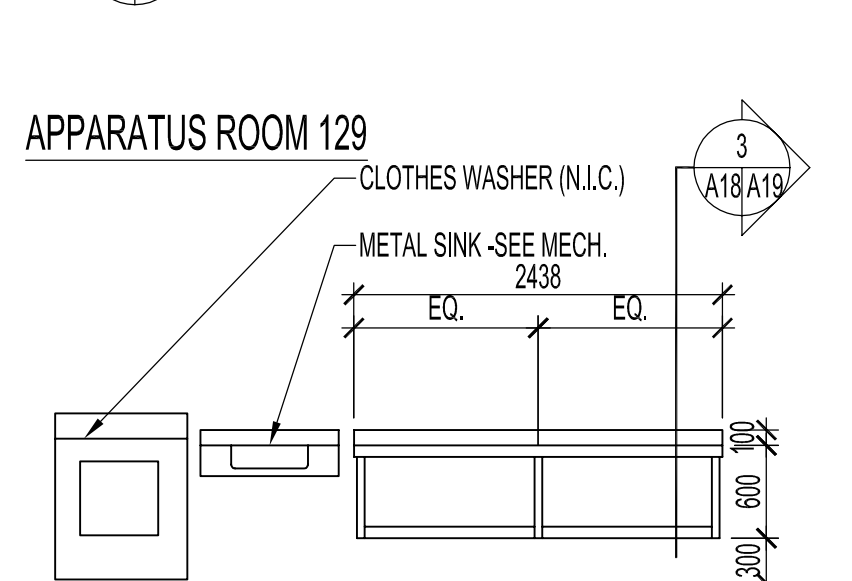
1 PARTIAL PLAN - CONTROL ROOM 101
A17A18 / SCALE 1:20



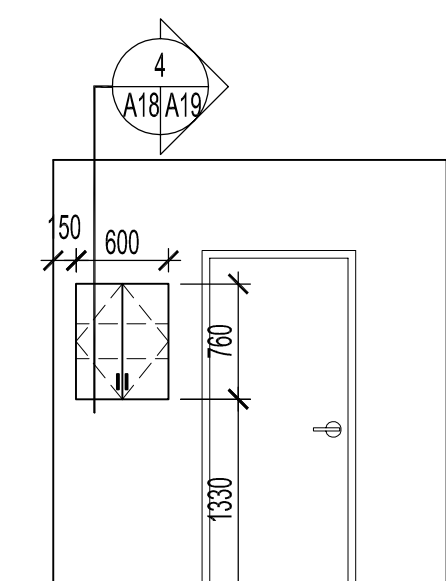
1 WOMEN'S WASHROOM 126
A17A18 / ELEVATION SCALE 1:50



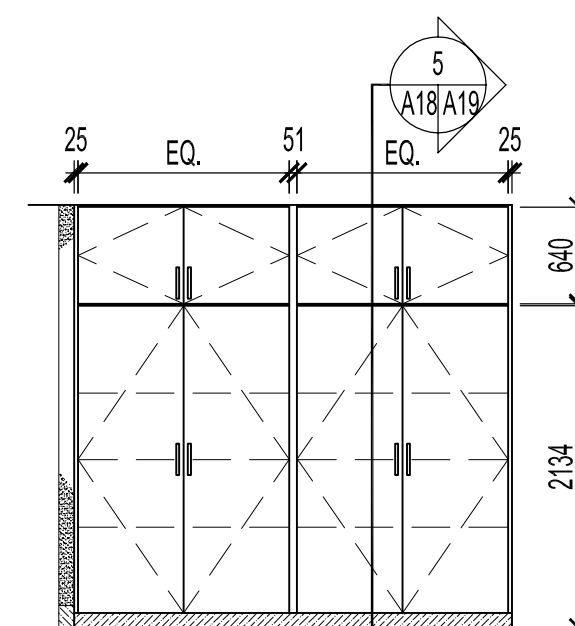
2 CORRIDOR 124
A17A18 / ELEVATION SCALE 1:50



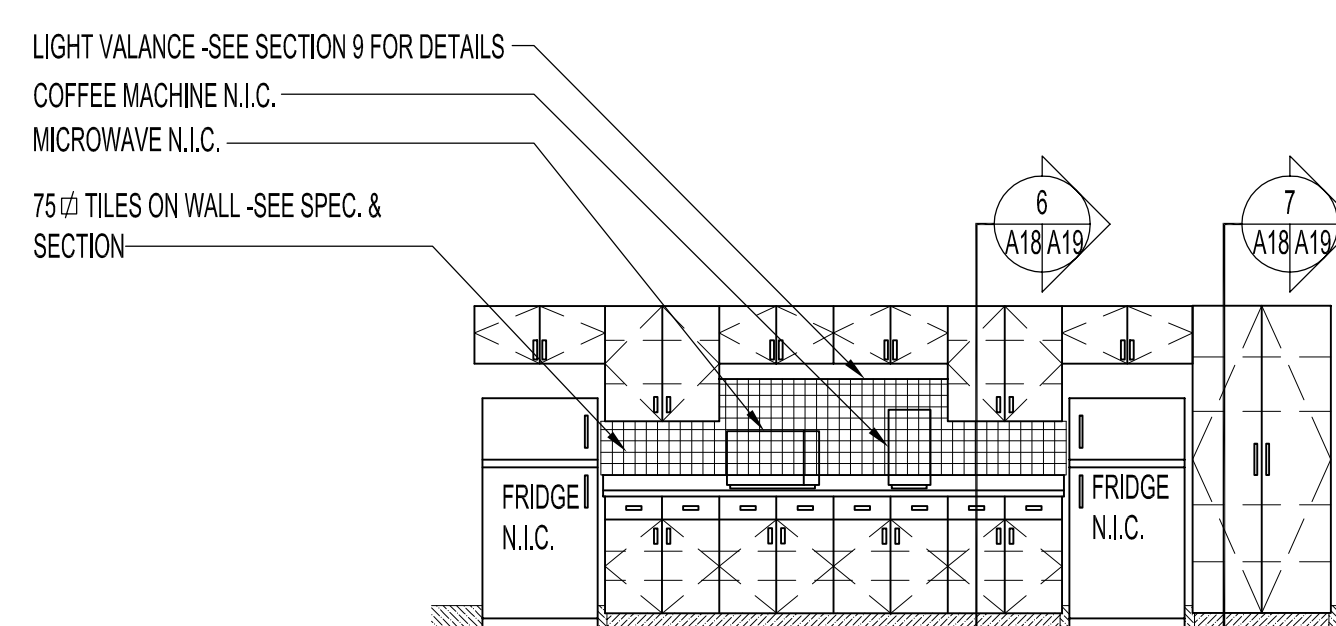
3 APPARATUS ROOM 129
A17A18 / ELEVATION SCALE 1:50



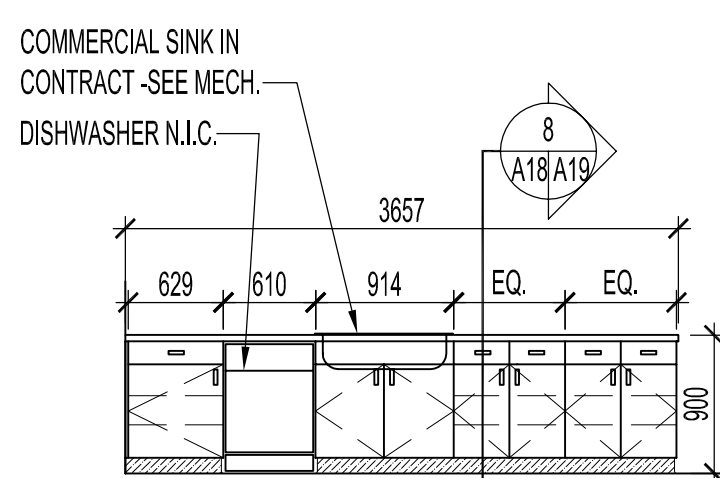
4 MEN'S WASHROOM 116
A17A18 / ELEVATION SCALE 1:50



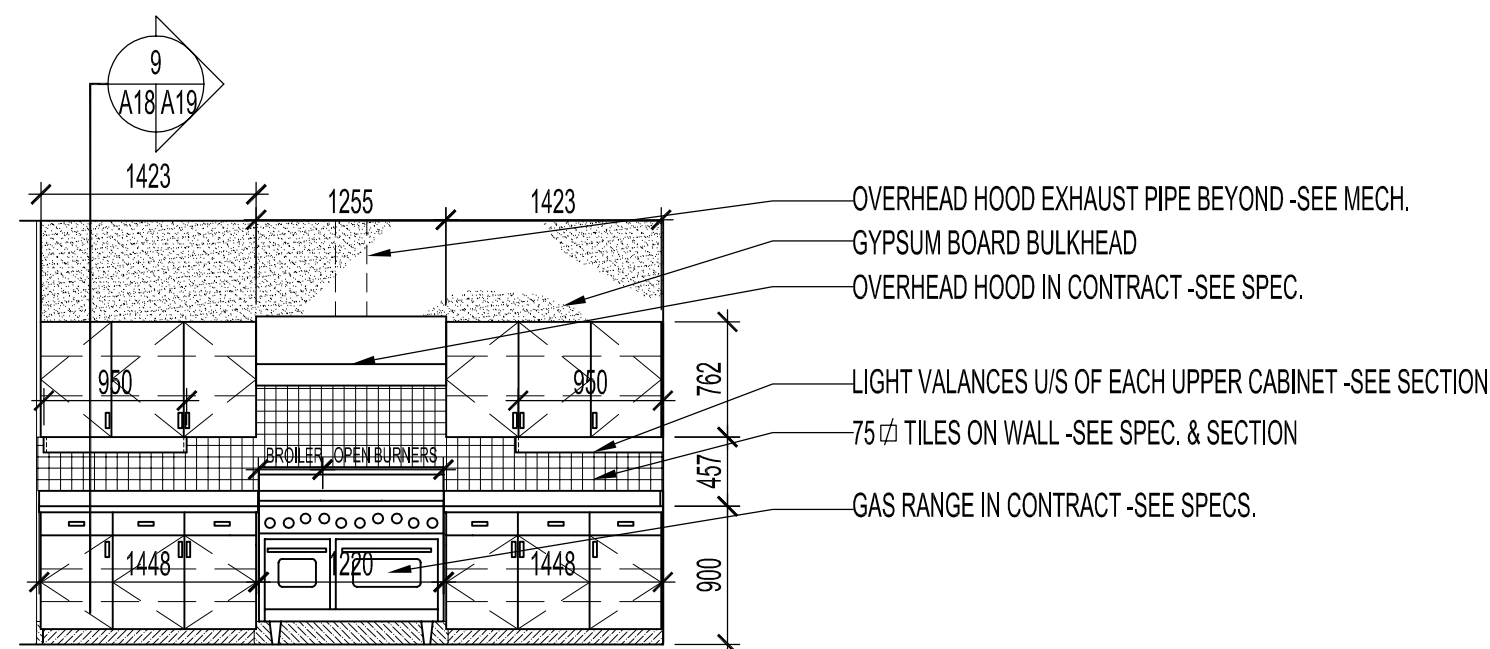
5 DINING RM. 118 & LOUNGE 119
A17A18 / ELEVATION SCALE 1:50



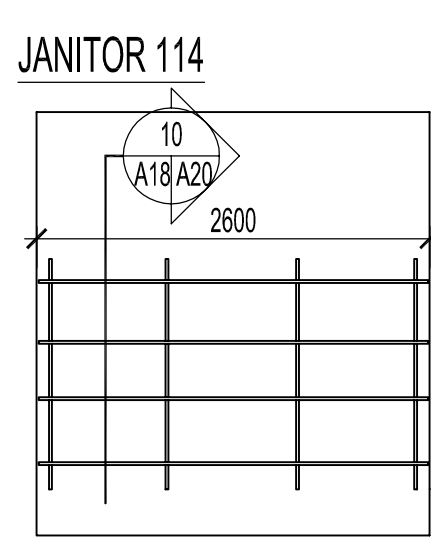
6 KITCHEN 117
A17A18 / ELEVATION SCALE 1:50



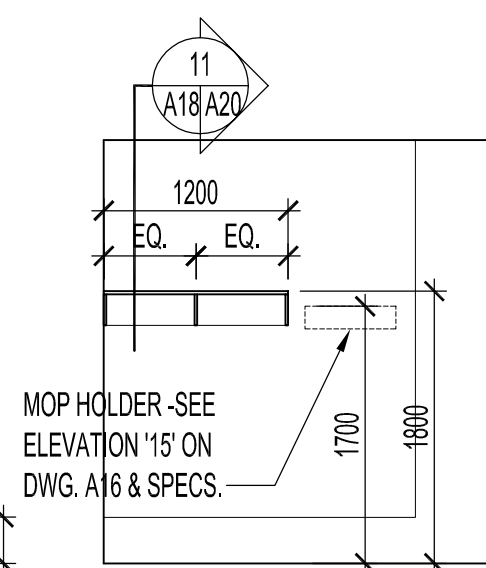
7 KITCHEN 117
A17A18 / ELEVATION SCALE 1:50



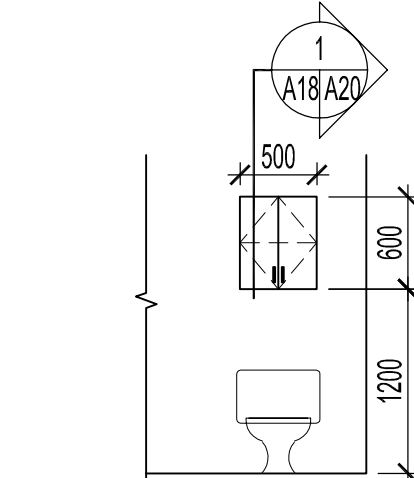
8 KITCHEN 117
A17A18 / ELEVATION SCALE 1:50



9 JANITOR 114
A17A18 / ELEVATION SCALE 1:50



10 JANITOR 114
A17A18 / ELEVATION SCALE 1:50



11 PUBLIC BARRIER-FREE WASHROOM 112,
WASHROOMS B05 & B06
ELEVATION SCALE 1:50

ORIGINAL STAMPED BY: R. K. FOK LI Arch.
DATE: 2006.07.18

NO.	REVISION/DESCRIPTION	BY	DATE
SEALS			

DRAWN BY	MMK	CHECKED BY	APPROVED
DATE	2006.07.10	USER APPROVAL	

CITY OF WINNIPEG
PLANNING, PROPERTY &
DEVELOPMENT DEPARTMENT
CIVIC ACCOMMODATIONS DIVISION
300 - 65 GARRY ST. R3C 4K4

PROJECT
WEST TRANSCONA
FIRE PARAMEDIC STATION 21

1446 REGENT AVENUE W.
SHEET TITLE

MILLWORK ELEVATIONS

METRIC
WHOLE NUMBERS ARE IN MILLIMETRES,
DECIMALIZED NUMBERS ARE IN METRES

SCALE	PROJECT NO.	SHEET NO.
AS SHOWN	2004-058	A18