

DOOR SCHEDULE											
DOOR NO.	DOOR				FRAME				RATING	HARDWARE GROUP	NOTES
	TYPE	WIDTH	HEIGHT	THICKNESS	MATERIAL	FINISH	TYPE	MATERIAL			
BASEMENT LEVEL											
DB01	E	900 x 2150 x 45	H.M.	PT.	A	P.S.	PT.	3/4 HOUR	1		
DB02	A	900 x 2150 x 45	H.M.	PT.	A	P.S.	PT.	3/4 HOUR	2		
DB03	A	900 x 2150 x 45	H.M.	PT.	A	P.S.	PT.	3/4 HOUR	2		
DB04	A	600 x 900 x 45	H.M.	PT.	A	P.S.	PT.	3/4 HOUR	3	4 SIDED FRAME	
DB05	A	900 x 2150 x 45	S.C.W.	S.P.	A	P.S.	PT.		4		
DB06	E	900 x 2150 x 45	S.C.W.	S.P.	A	P.S.	PT.		4		
DB07	A	900 x 2150 x 45	H.M.	PT.	A	P.S.	PT.	3/4 HOUR	1		
MAIN LEVEL											
D103A	D	900 x 2150 x 45	H.M.	PT.	C	P.S.	PT.	3/4 HOUR	11	6 GEORGIAN WIRE GLASS	
D103B	B	900 x 2150 x 45	AL.	A.M.B.	B	AL.	A.M.B.		5	THERMALLY BROKEN FRAME	
D104	A	1067 x 2150 x 45	H.M.	PT.	A	P.S.	PT.		6		
D105	A	900 x 2150 x 45	S.C.W.	S.P.	A	P.S.	PT.		7	PROVIDE DOOR MOUNTED HOLDER	
D106	A	800 x 2150 x 45	H.M.	PT.	A	P.S.	PT.		8		
D107	A	800 x 2150 x 45	S.C.W.	S.P.	A	P.S.	PT.		8		
D109	E	900 x 2150 x 45	S.C.W.	S.P.	A	P.S.	PT.		9		
D111	C	800 x 2150 x 45	S.C.W.	S.P.	A	P.S.	PT.		9		
D112	A	900 x 2150 x 45	S.C.W.	S.P.	A	P.S.	PT.		10		
D113	A	900 x 2150 x 45	S.C.W.	S.P.	A	P.S.	PT.		9		
D114A	A	900 x 2150 x 45	H.M.	PT.	A	P.S.	PT.	3/4 HOUR	12		
D114B	E	900 x 2150 x 45	H.M.	PT.	A	P.S.	PT.	1 HOUR	12	6 GEORGIAN WIRE GLASS	
D116	A	900 x 2150 x 45	S.C.W.	S.P.	A	P.S.	PT.		13		
D118	D	900 x 2150 x 45	S.C.W.	S.P.	C	P.S.	PT.		4	PROVIDE DOOR MOUNTED HOLDER	
D120	A	900 x 2150 x 45	S.C.W.	S.P.	A	P.S.	PT.		8		
D121	A	900 x 2150 x 45	S.C.W.	S.P.	A	P.S.	PT.		8		
D122	A	900 x 2150 x 45	S.C.W.	S.P.	A	P.S.	PT.		8		
D123	A	900 x 2150 x 45	S.C.W.	S.P.	A	P.S.	PT.		8		
D125A	E	900 x 2150 x 45	H.M.	PT.	A	P.S.	PT.	1 HOUR	1	6 GEORGIAN WIRE GLASS	
D125B	E	900 x 2150 x 45	H.M.	PT.	A	P.S.	PT.		14	FILL DOOR & FRAME W/ INSULATION	
D126	A	900 x 2150 x 45	S.C.W.	S.P.	A	P.S.	PT.		10		
D127	C	900 x 2150 x 45	H.M.	PT.	A	P.S.	PT.	1 HOUR	16	6 GEORGIAN WIRE GLASS	
D128	A	900 x 2150 x 45	H.M.	PT.	A	P.S.	PT.	1 HOUR	15		
D129A	F	3810 x 4200 x 50	G.M.	PF.		WD.	PT.			BY DOOR SUPPLIER INSULATED METAL	
D129B	F	3810 x 4200 x 50	G.M.	PF.		WD.	PT.			BY DOOR SUPPLIER INSULATED METAL	
D129C	F	3810 x 4200 x 50	G.M.	PF.		WD.	PT.			BY DOOR SUPPLIER INSULATED METAL	
D129D	C	900 x 2150 x 45	H.M.	PT.	C	P.S.	PT.	3/4 HOUR	16	6 GEORGIAN WIRE GLASS	
D130	A	900 x 2150 x 45	H.M.	PT.	A	P.S.	PT.		17		
MEZZANINE LEVEL											
DM01	A	900 x 2150 x 45	H.M.	PT.	A	P.S.	PT.	3/4 HOUR	18		
DM02	A	600 x 900 x 45	H.M.	PT.	A	P.S.	PT.	3/4 HOUR	3	4 SIDED FRAME	

ABBREVIATIONS

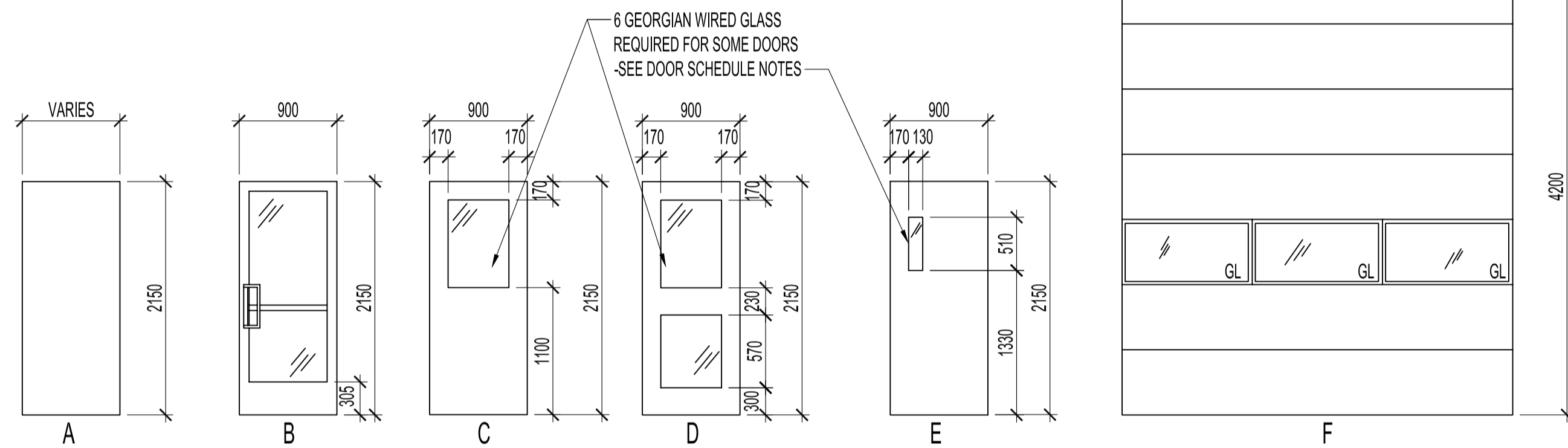
AL - ALUMINIUM	H.M. - HOLLOW METAL	PF. - PREFINISHED	PT. - PAINT	S.P. - SATIN POLYURETHANE
A.M.B. - ANODIZED METAL BRONZE	G.M. - GALVANIZED METAL	P.S. - PRESSED STEEL	S.C.W. - SOLID CORE WOOD	WD. - WOOD

HARDWARE GROUPS		
#1	1A-2A-5B-6A-7A-8F-8G	
#2	1A-2C-5B-6A-8F-8G	
#3	111A-111B-2B-8F	
#4	1A-3B-3C-5B-6A-7A	
#5	1D-2H-5C-6B-8D-9A-9B-9G	
#6	411C-2A-2G-6B-8A-8C-8E	
#7	1A-2D-6D-7A	
#8	1A-2F-6A-7A-8F-8G	
#9	1A-2A-6A-7A	
#10	1A-2F-6A-7A	
#11	1A-2A-5D-9F-6A-7A	
#12	1A-2C-5B-6D-8F-8G	
#13	1A-3B-3C-5B-6D-7A	
#14	1C-2C-5A-6C-8A-8C-8E-9B-9C-9D-9E	
#15	1A-2A-5A-6C-8F-8G	
#16	1A-4A-5A-6A-8F-8G	
#17	1A-2A-2G-6A-8A-8C-8E	
#18	1A-2C-5B-6D-8F-8G	

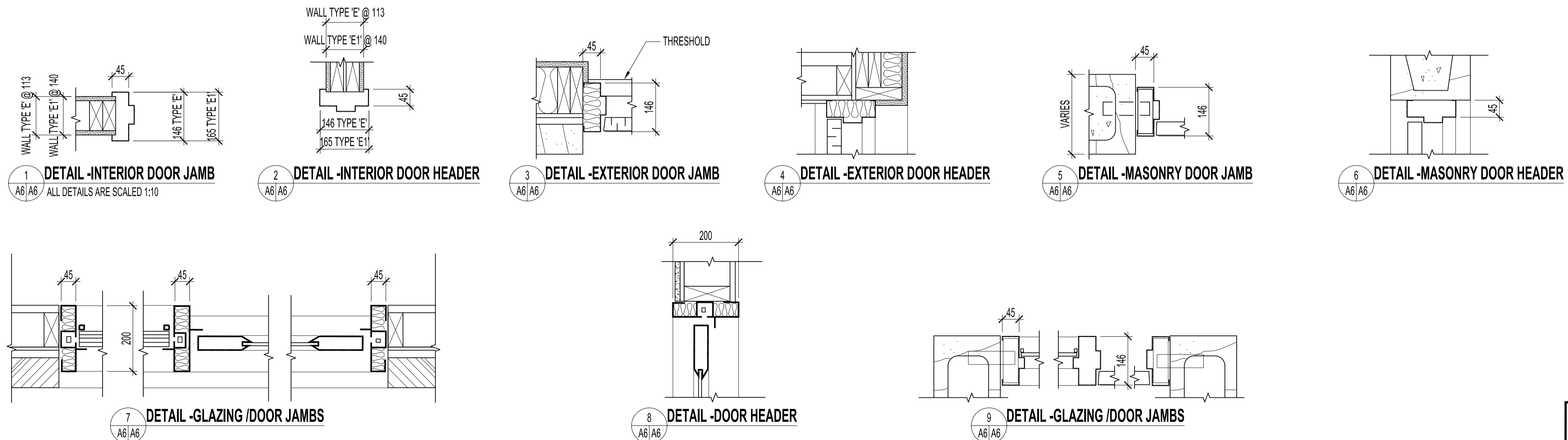
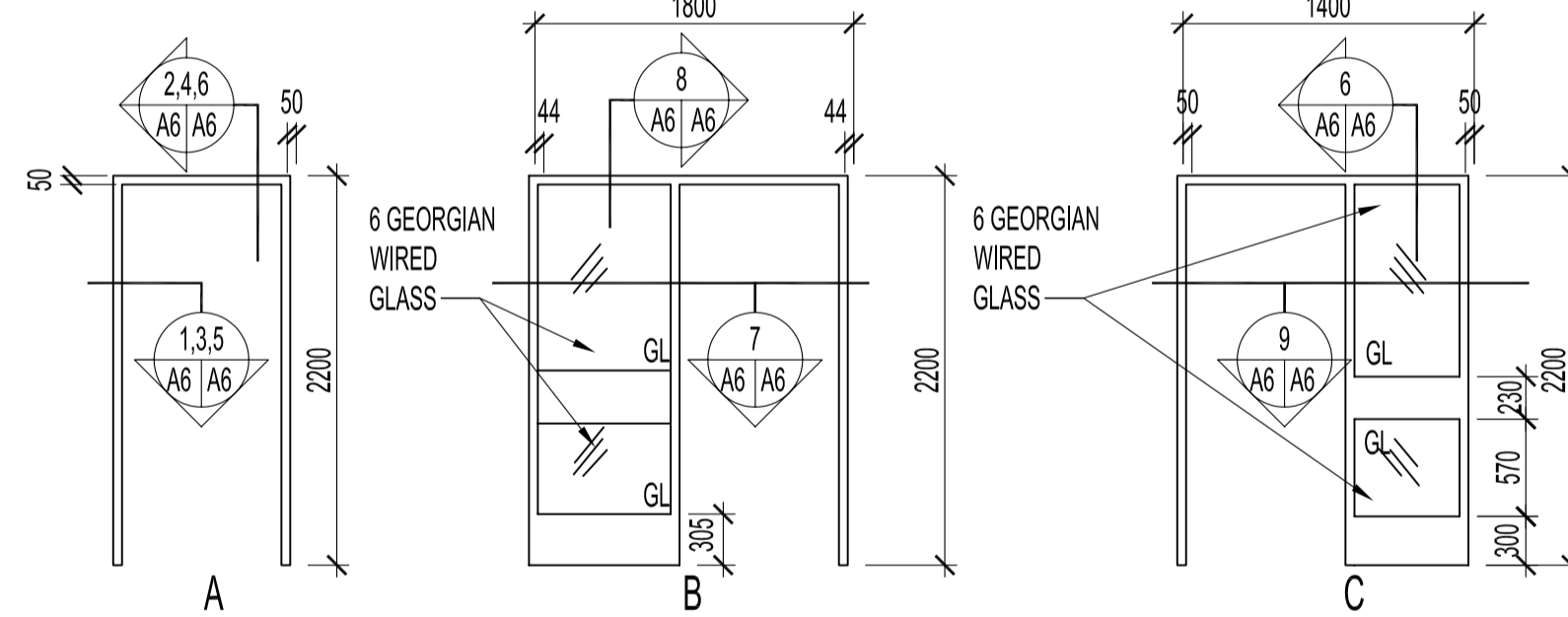
HARDWARE CODES:

1A HINGES TA714 114 X 101 26D	6A WALL STOP S122 26D
1B HINGES 1502 114 X 101 26D	6B OVERHEAD STOP 1-436 630
1C HINGES TA314 114 X 101NRP 26D	6C OVERHEAD STOP 1-336 630
1D HINGES TA314 114 X 101NRP 10B	6D OVERHEAD STOP 10-336 630
2A PASSAGE CL3610 NZD 626	7A KICKPLATE K10A 300 X D.W. LESS 38 32D
2B PASSAGE CK4410 GWC 630	8A WEATHERSTRIP W29 689
2C LOCKSET CL3657 NZD X CL7 626	8B WEATHERSTRIP BY DOOR SUPPLIER
2D LOCKSET CL3651 NZD X CL7 626	8C DOOR SWEEP W13S 689
2E LOCKSET CL3655 NZD X CL7 626	8D THRESHOLD CT-32 689
2F PRIVACY CL3620 NZD 626	8E THRESHOLD CT-10 689
2G DEADLOCK DL3113 X CL7 626	8F SMOKE SEAL W21 BLK
2H CYLINDER 1E-74-C181 613	8G AUTO DOOR BOTTOM CT50 689
3A DOOR PULL 3012-2 32D	9A ELECTRO-MECH LOCK MGL24RHR-1BP 613
3B DOOR PULL 2509-2 32D	9B DIGITAL KEYPAD DK-26K BK
3C PUSH PLATE K11-A3 32D	9C ELECTRIC STRIKE 5000 X 501 630
4A EXIT DEVICE 5200 X N710 630	9D POWER SUPPLY BPS-24-1
5A CLOSER 7500 689	9E LATCH GUARD 341D 32D
5B CLOSER 8301 689	9F ELECTRIC STRIKE 1006-J 630
5C OPERATOR KM3100 X DT-1 X DT-4 690	9G ELECTRIC SECURITRON MORTISE GLASS LOCK (MGL)
5D OPERATOR KM3800 X DT-1 X DT-4 690	

DOOR TYPES



FRAME TYPES



ORIGINAL STAMPED BY: R. K. FOK LI Arch.
DATE: 2006.07.18

NO.	REVISION/DESCRIPTION	BY	DATE
SEALS			

DRAWN BY	CHKD BY	APPROVED
MMK		

CITY OF WINNIPEG
PLANNING, PROPERTY &
DEVELOPMENT DEPARTMENT
CIVIC ACCOMMODATIONS DIVISION
300 - 65 GARRY ST. R3C 4K4

PROJECT
WEST TRANSCONA
FIRE PARAMEDIC STATION 21

1446 REGENT AVENUE W.
SHEET TITLE
DOOR SCHEDULE
DETAILS

METRIC
WHOLE NUMBERS ARE IN MILLIMETRES,
DECIMALIZED NUMBERS ARE IN METRES

SCALE	PROJECT NO.	SHEET NO.
AS SHOWN	2004-058	A6