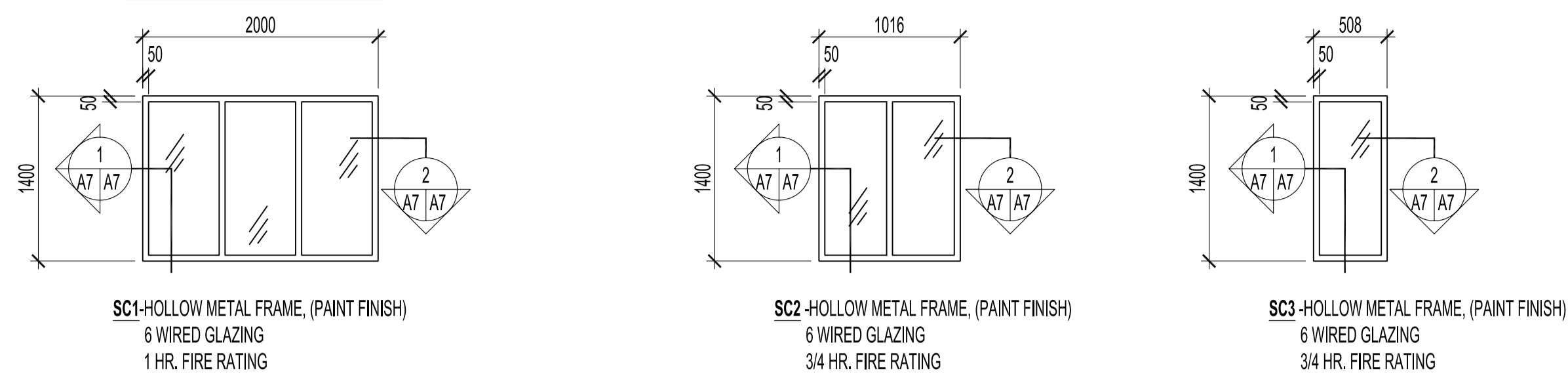


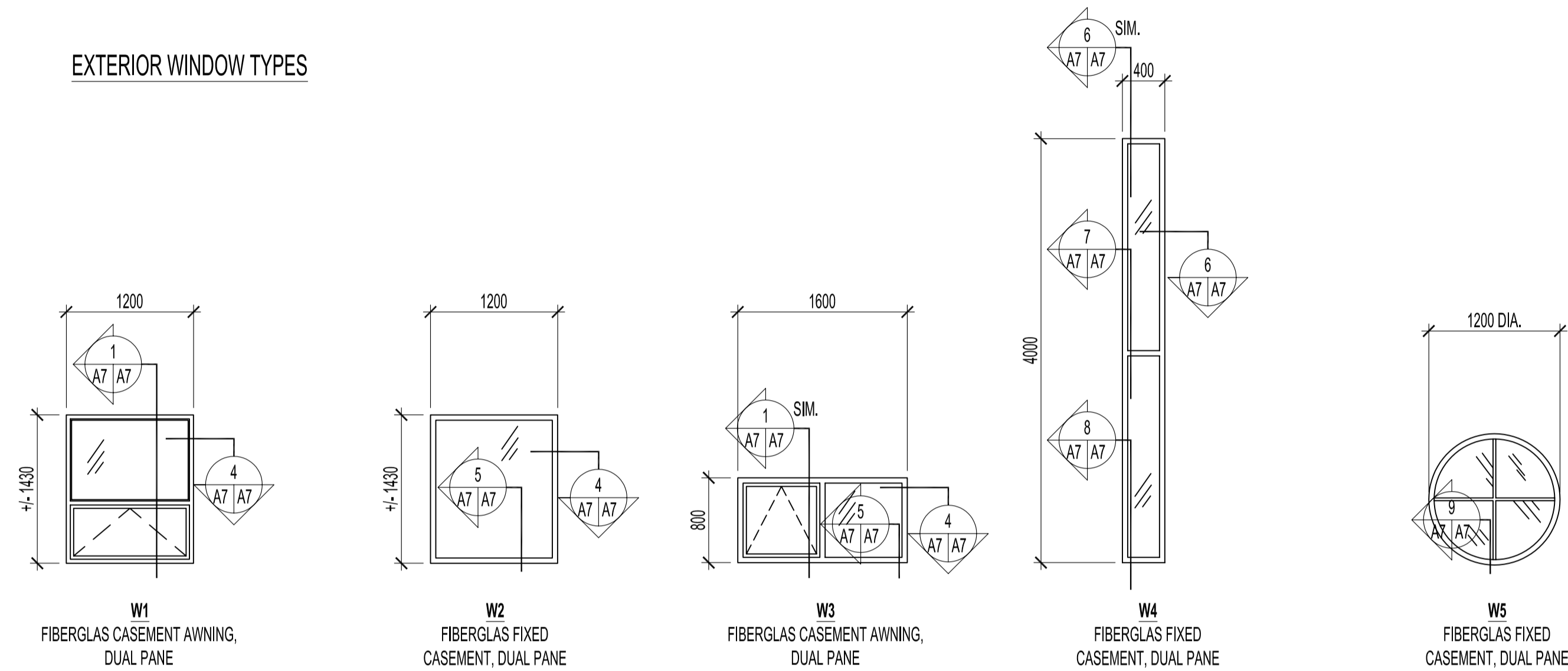
ROOM FINISH SCHEDULE										
ROOM NO.	ROOM NAME	FLOOR	BASEBOARD	NORTH WALL	SOUTH WALL	EAST WALL	WEST WALL	CEILING	CEILING HEIGHT	NOTES
BASEMENT LEVEL										
B01	STAIR #2			PT.	PT.	PT.	PT.	PT.	2700	
B02	ELECTRICAL ROOM			PT.						
B03	FURNACE ROOM			PT.						
B04	BASEMENT								2650 / 2700	PAIN'T GB. WALLS ONLY
B05	WOMEN'S WASHROOM	EPOXY	150 EPOXY COVE	C.T. & PT.	C.T. & PT.	C.T. & PT.	C.T. & PT.	PT.	2700	
B05A	SHOWER			C.T. & PT.	C.T. & PT.		C.T. & PT.			
B06	MEN'S WASHROOM	EPOXY	150 EPOXY COVE	C.T. & PT.	C.T. & PT.	C.T. & PT.	C.T. & PT.	PT.		
B06A	SHOWER			C.T. & PT.	C.T. & PT.		C.T. & PT.			
B07	STAIR #1			PT.	PT.	PT.	PT.			
B08	STORAGE			PT.	PT.	PT.	PT.			
MAIN LEVEL										
101	CONTROL ROOM	EPOXY	150 EPOXY COVE	PT.	PT.	PT.	PT.	PT.	6530	
102	RECEPTION								2800	
103	ENTRANCE			PT.						
104	STORAGE									
105	CAPTAIN'S OFFICE									
106	CAPTAIN'S QUARTERS #1									
107	CAPTAIN'S QUARTERS #2									
108	CAPTAIN'S LOCKERS									
109	TRAINING ROOM / FIRE PREVENTION OFFICE									
110	CORRIDOR									
111	TELEPHONE									
112	PUBLIC BARRIER-FREE WASHROOM			C.T. & PT.	C.T. & PT.	C.T. & PT.	C.T. & PT.			
113	PUBLIC HEALTH			PT.	PT.	PT.	PT.			
114	JANITOR		1800 EPOXY	EPOXY & PT.	EPOXY & PT.	EPOXY & PT.	EPOXY & PT.			
115	CHANGE	EPOXY NS.	150 EPOXY COVE	C.T. & PT.	C.T. & PT.	C.T. & PT.	C.T. & PT.			
116	MEN'S WASHROOM	EPOXY		C.T. & PT.	C.T. & PT.	C.T. & PT.	C.T. & PT.			
116A	SHOWERS			C.T. & PT.	C.T. & PT.	C.T. & PT.	C.T. & PT.			
117	KITCHEN			PT.	PT.	PT.	PT.			
118	DINING ROOM									
119	LOUNGE									
120	DORMITORY ROOM #1									
121	DORMITORY ROOM #2									
122	DORMITORY ROOM #3									
123	DORMITORY ROOM #4									
124	CORRIDOR								2400 & 2800	
125	VESTIBULE								2400	
126	WOMEN'S WASHROOM			C.T. & PT.	C.T. & PT.	C.T. & PT.	C.T. & PT.			
126A	SHOWER				C.T. & PT.	C.T. & PT.	C.T. & PT.			
127	CORRIDOR			PT.	PT.	PT.	PT.			
128	DRYING ROOM			PT.	PT.	PT.	PT.			
129	APPARATUS ROOM	C.H.		A.C.	A.C.	A.C.	A.C.		5240	
130	STORAGE ROOM	C.H.		A.C.	A.C.	A.C.	A.C.		3810	
MEZZANINE LEVEL										
M01	MEZZANINE	C.H.		PT.	PT.	PT.	PT.	PT.	2640	
M02	FURNACE ROOM	C.H.		PT.	PT.	PT.	PT.	PT.	2640	

ABBREVIATIONS	
A.C. - ACRYLIC COATING AS PER SPECS.	EPOXY - EPOXY COATING AS PER SPECS.
C.H. - CONCRETE W/ HARDENER AS PER SPECS.	EPOXY NS. - EPOXY COATING NON-SLIP AS PER SPECS.
C.T. - CERAMIC TILE	PT. - PAINT

INTERIOR WINDOW TYPES



EXTERIOR WINDOW TYPES



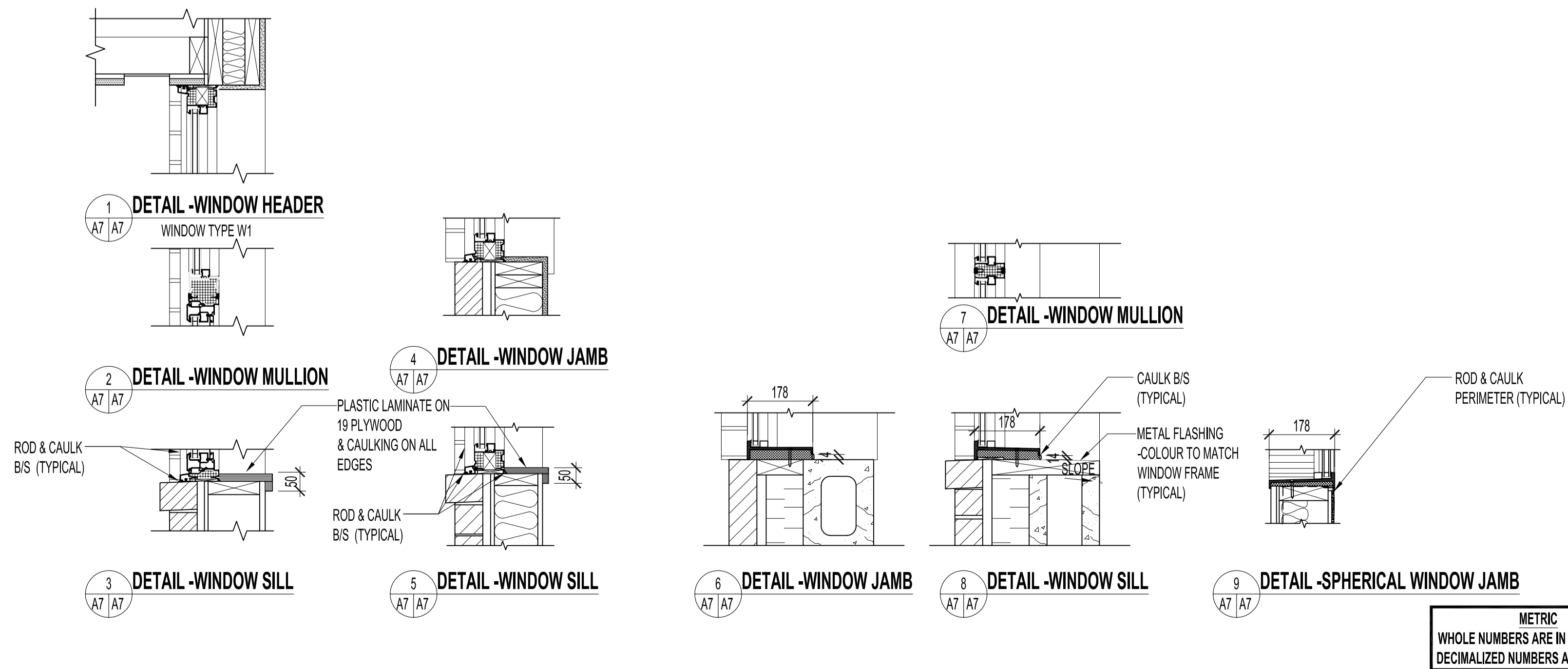
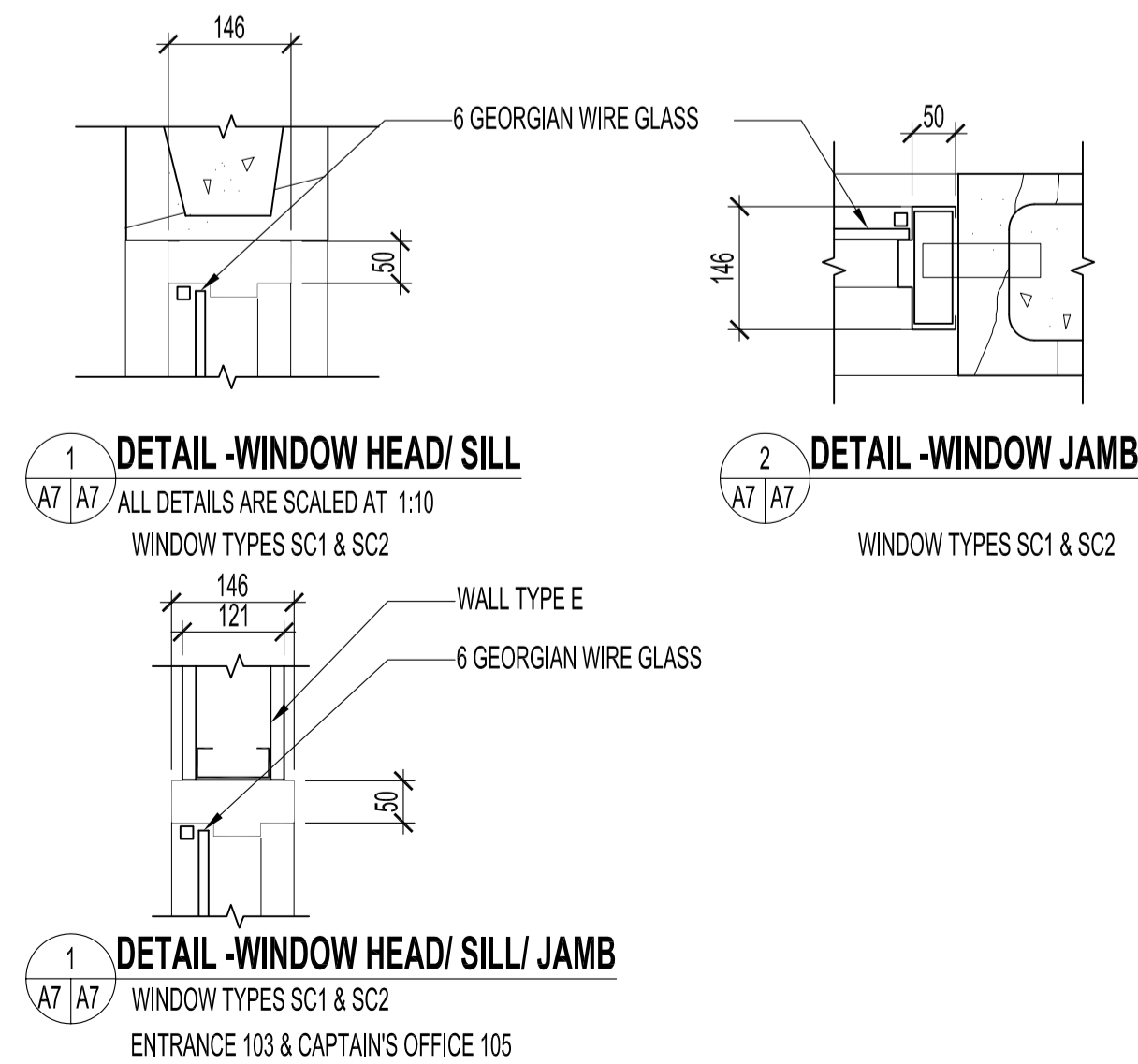
NOTES :

GENERAL NOTES:

1. FOR ALL FLOOR, WALL & CEILING FINISHES & TYPES, REFER TO SPECIFICATIONS.

ORIGINAL STAMPED BY: R. K. FOK LI Arch.
 DATE: 2006.07.18

NO.	REVISION/DESCRIPTION	BY	DATE
SEALS			



METRIC
 WHOLE NUMBERS ARE IN MILLIMETRES,
 DECIMALIZED NUMBERS ARE IN METRES

DRAWN BY	CHKD BY	APPROVED
MWK		
DATE	2006.07.10	USER APPROVAL

CITY OF WINNIPEG
 PLANNING, PROPERTY &
 DEVELOPMENT DEPARTMENT
 CIVIC ACCOMMODATIONS DIVISION
 300 - 65 GARRY ST. R3C 4K4

PROJECT
 WEST TRANSCONA
 FIRE PARAMEDIC STATION 21

1446 REGENT AVENUE W.

SHEET TITLE
 ROOM FINISH SCHEDULE
 WINDOW DETAILS

SCALE	PROJECT NO.	SHEET NO.
AS SHOWN	2004-058	A7