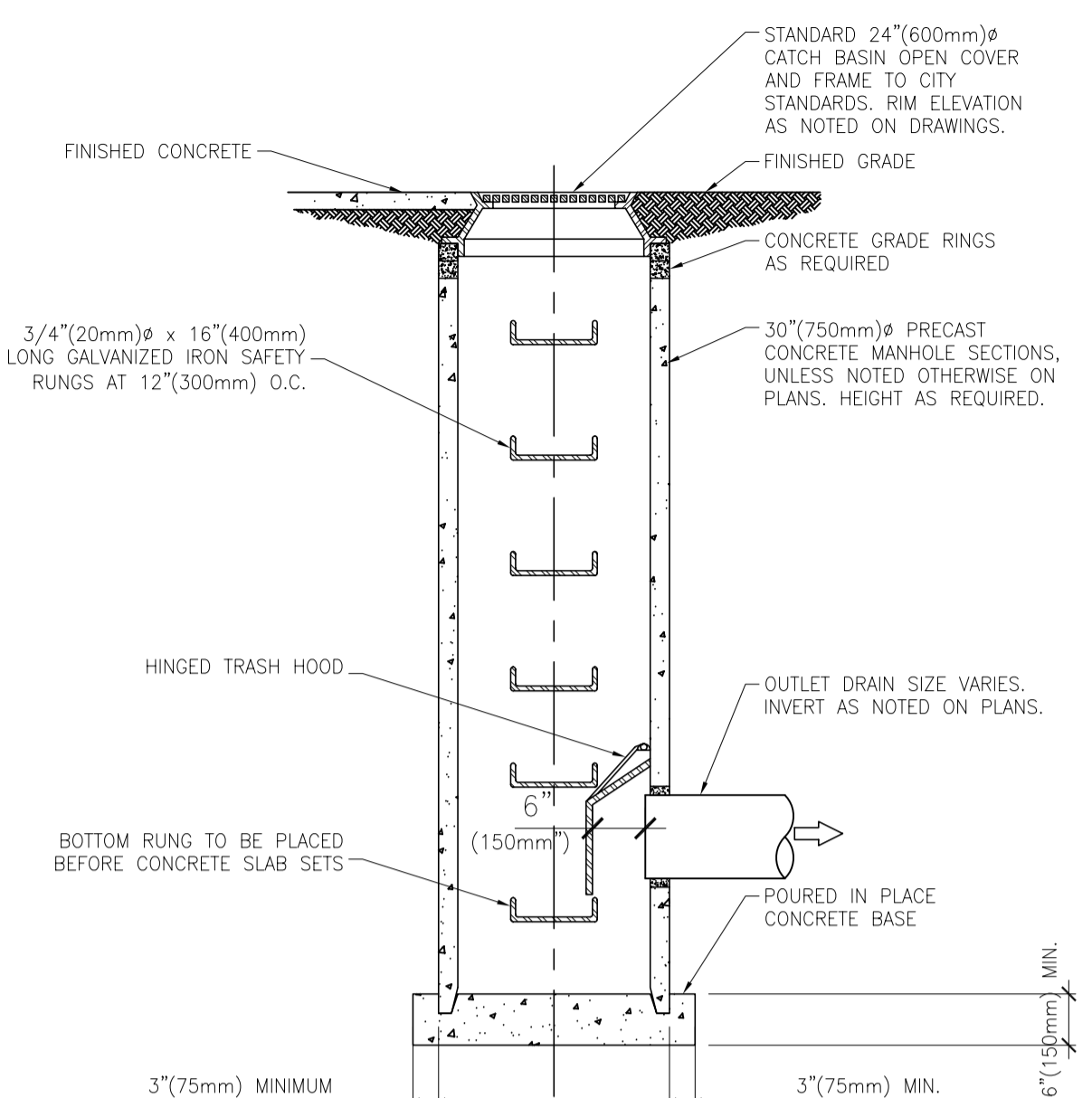
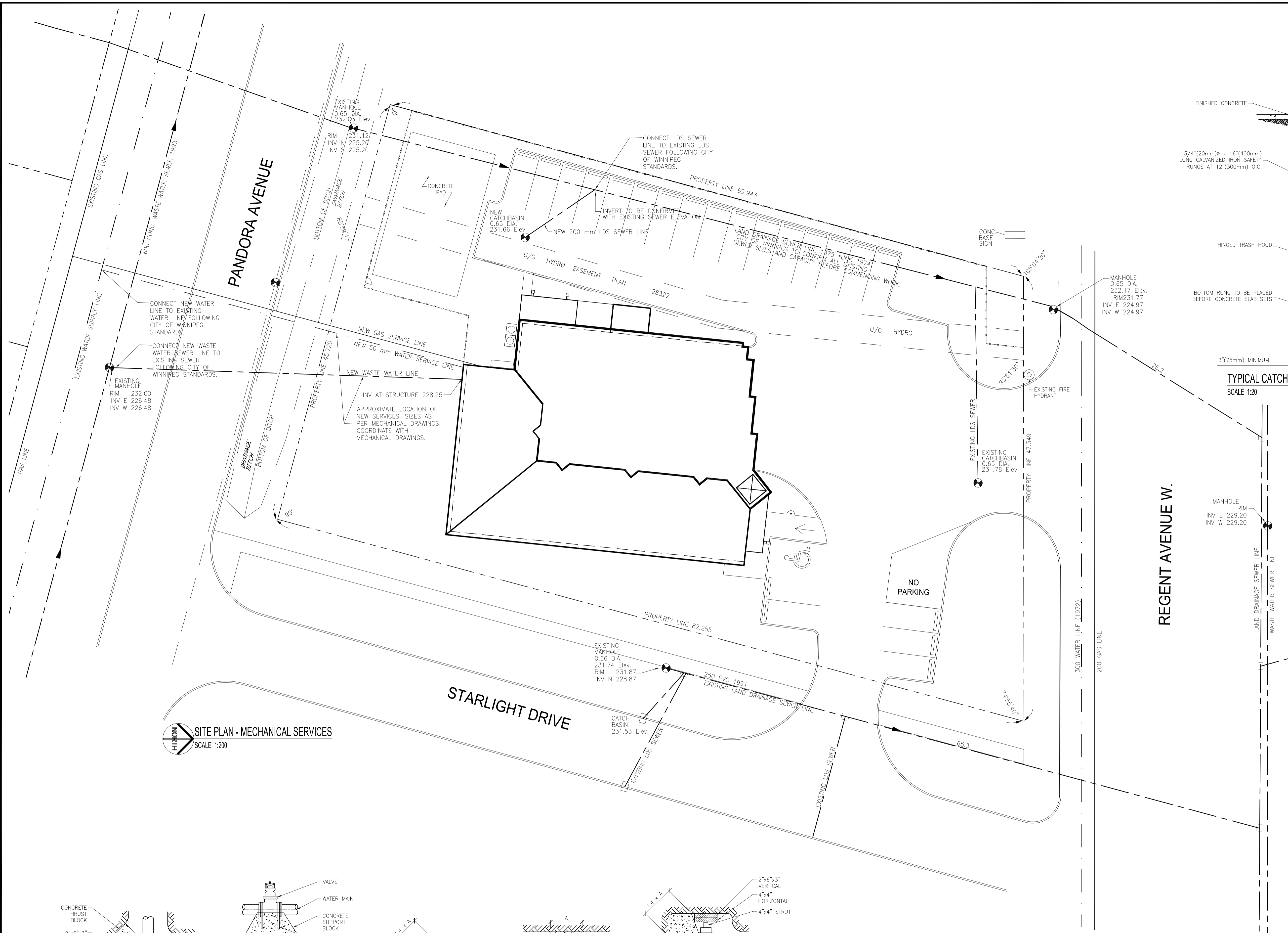
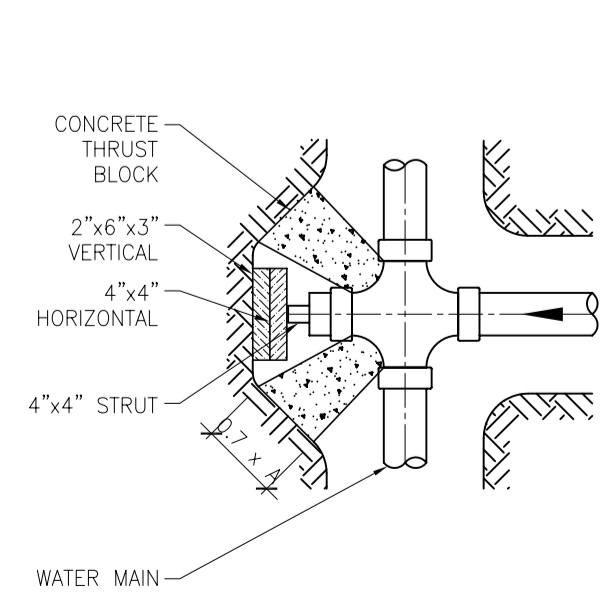


NOTES : ALL CONCRETE AND CIVIL WORK SHALL COMPLY WITH CITY OF WINNIPEG STANDARD CONSTRUCTION SPECIFICATIONS.



TYPICAL CATCH BASIN DETAIL
SCALE 1:20

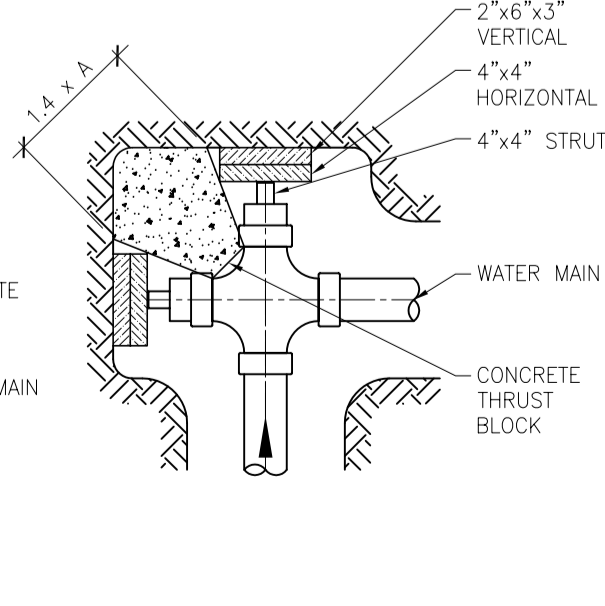
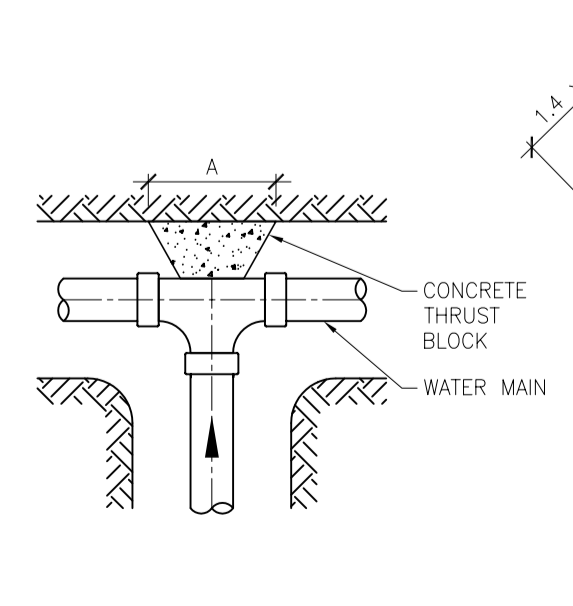
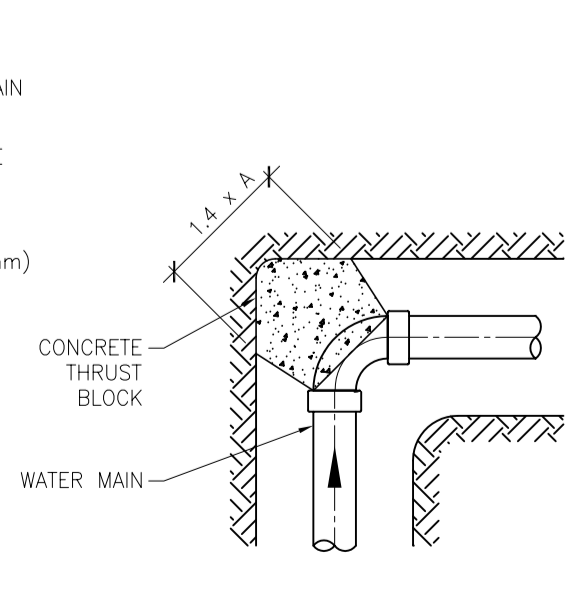
SITE PLAN - MECHANICAL SERVICES
SCALE 1:200



PIPE SUPPORT AND THRUST BLOCK DETAIL
SCALE 1:20

VALVE SUPPORT
(2.0 x A)

THRUST BLOCK BEARING AREA (A)	PIPE SIZE	SO. FT.	SO. M.
	4" (100mm)	1.2	0.1115
	6" (150mm)	2.8	0.26
	8" (200mm)	5.0	0.4645
	10" (250mm)	7.8	0.7247



ORIGINAL STAMPED BY: G. SCHAUB, P. ENG.
DATE: 2006.07.17

NO.	REVISION/DESCRIPTION	BY	DATE
2.	ISSUED FOR TENDER	CS	JULY 17/06
1.	ISSUED FOR REVIEW	CS	JUNE 26/06

CONSULTANT TOWER PROJECT NO. : 6079

TOWER ENGINEERING GROUP
208 - 897 CORYDON AVE. WINNIPEG, MB R3M 0W7
TEL: (204) 925-1150 FAX: (204) 925-1155
EMAIL: towereng@towereng.ca WEB: www.towereng.ca

APEGM
Certificate of Authorization
Tower Engineering Group Inc.
No. 1918 Expiry: April 30, 2007

DRAWN BY	CS	CHECKED BY	APPROVED
DATE	2006.07.17	USER APPROVAL	

CITY OF WINNIPEG
PLANNING, PROPERTY & DEVELOPMENT DEPARTMENT
CIVIC ACCOMMODATIONS DIVISION
300 - 65 GARRY ST. R3C 4K4

PROJECT
WEST TRANSCONA
FIRE PARAMEDIC STATION 21

1446 REGENT AVENUE W.
SHEET TITLE
SITE PLAN - MECHANICAL SERVICES AND DETAILS

METRIC
WHOLE NUMBERS ARE IN MILLIMETRES,
DECIMALIZED NUMBERS ARE IN METRES

SCALE	PROJECT NO.	SHEET NO.
AS SHOWN	2004-058	C2