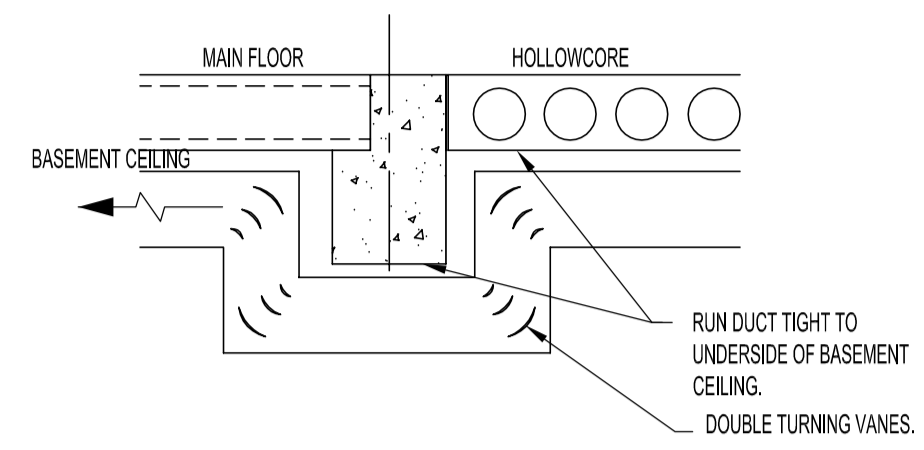
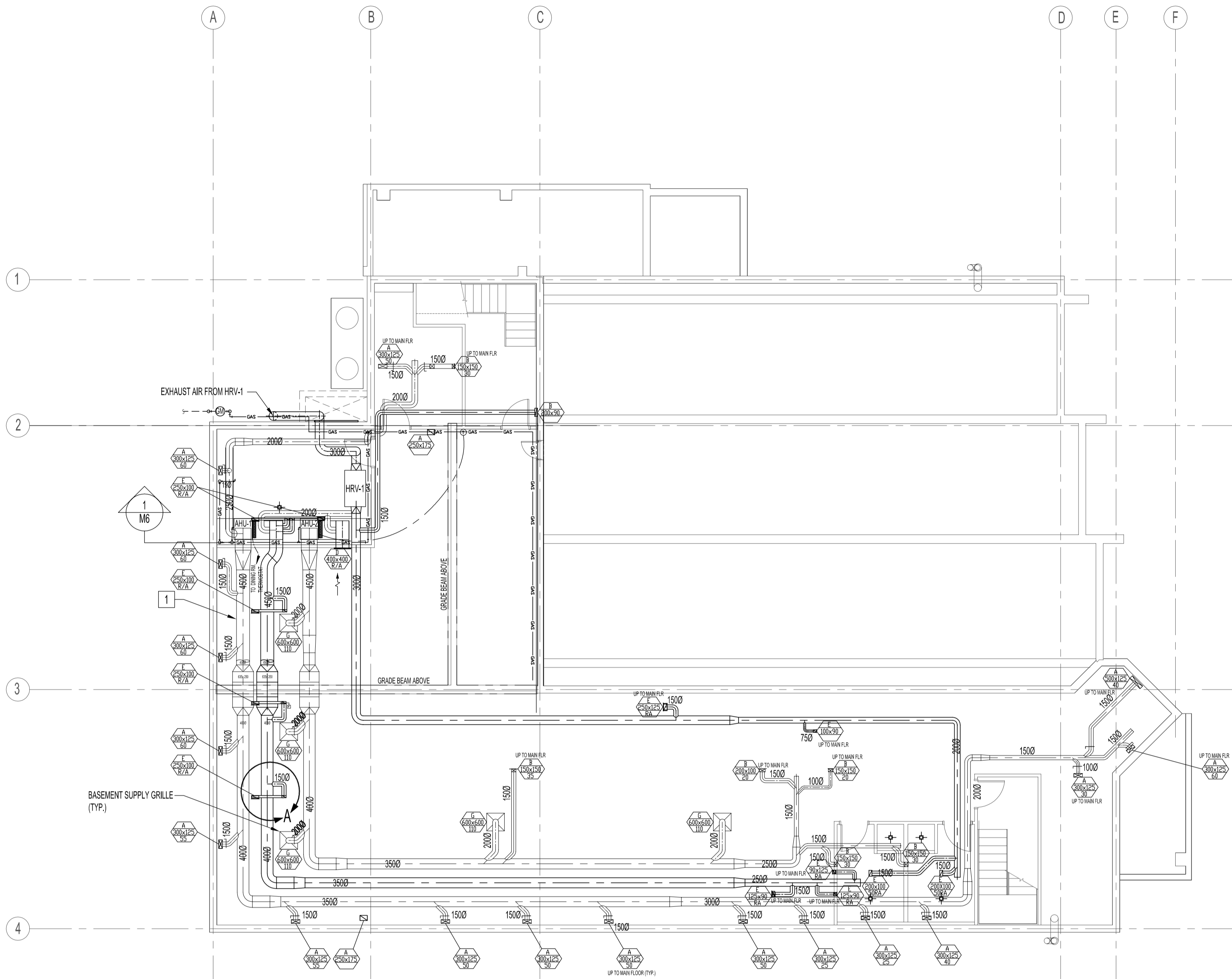
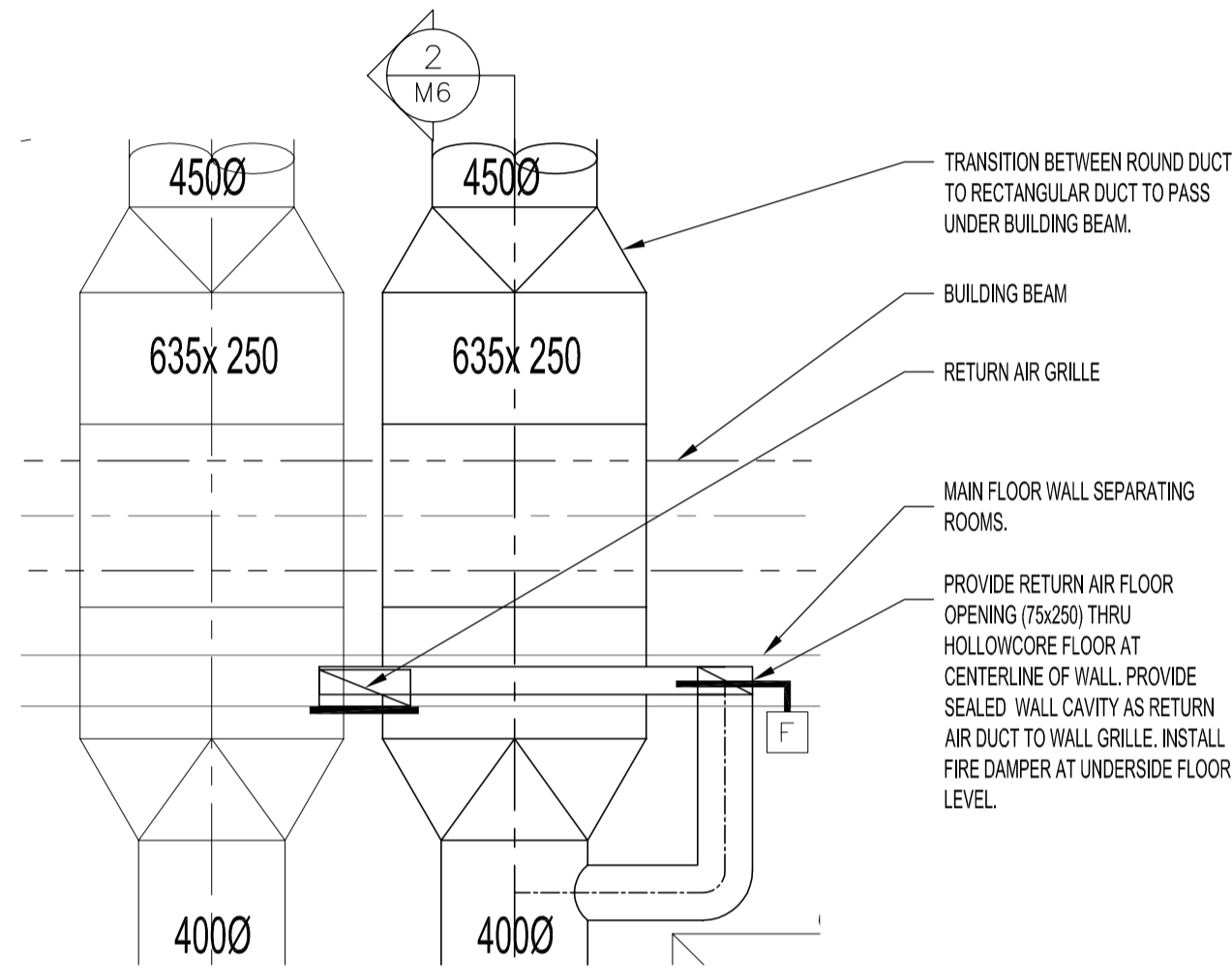


NOTES :  
SEE DRAWING M1.

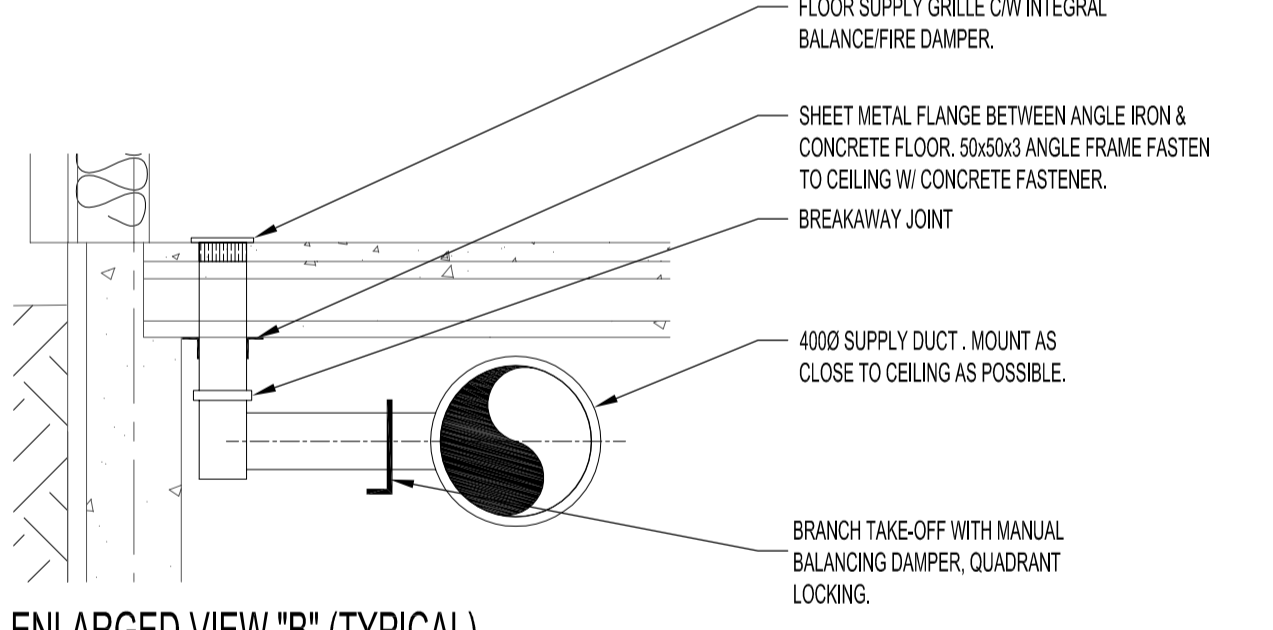
1 ALL HVAC DUCTS & CONNECTORS TO BE SPIRAL PIPE CONSTRUCTION, UNLESS NOTED OTHERWISE. TAKE-OFFS SHALL BE 45° LATERAL TAP SPIRAL PIPE CONSTRUCTION. HVAC CONSTRUCTION & INSTALLATION SHALL BE IN ACCORDANCE WITH THE LATEST EDITION OF SHEET METAL AND AIR CONDITIONING CONTRACTORS NATIONAL ASSOCIATION, SMACNA.



2 SECTION - SUPPLY DUCT UNDER BEAM  
SCALE: 1:20



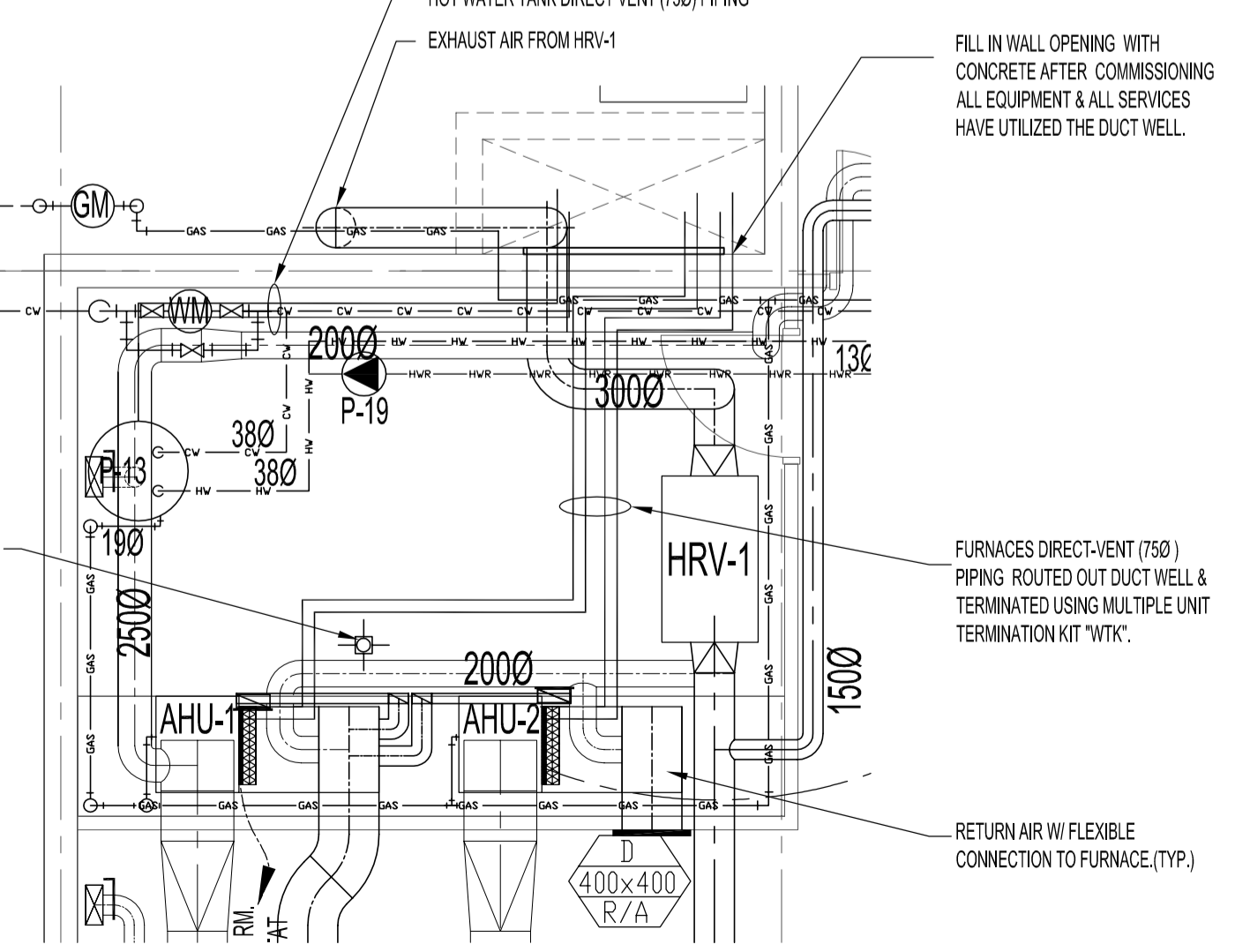
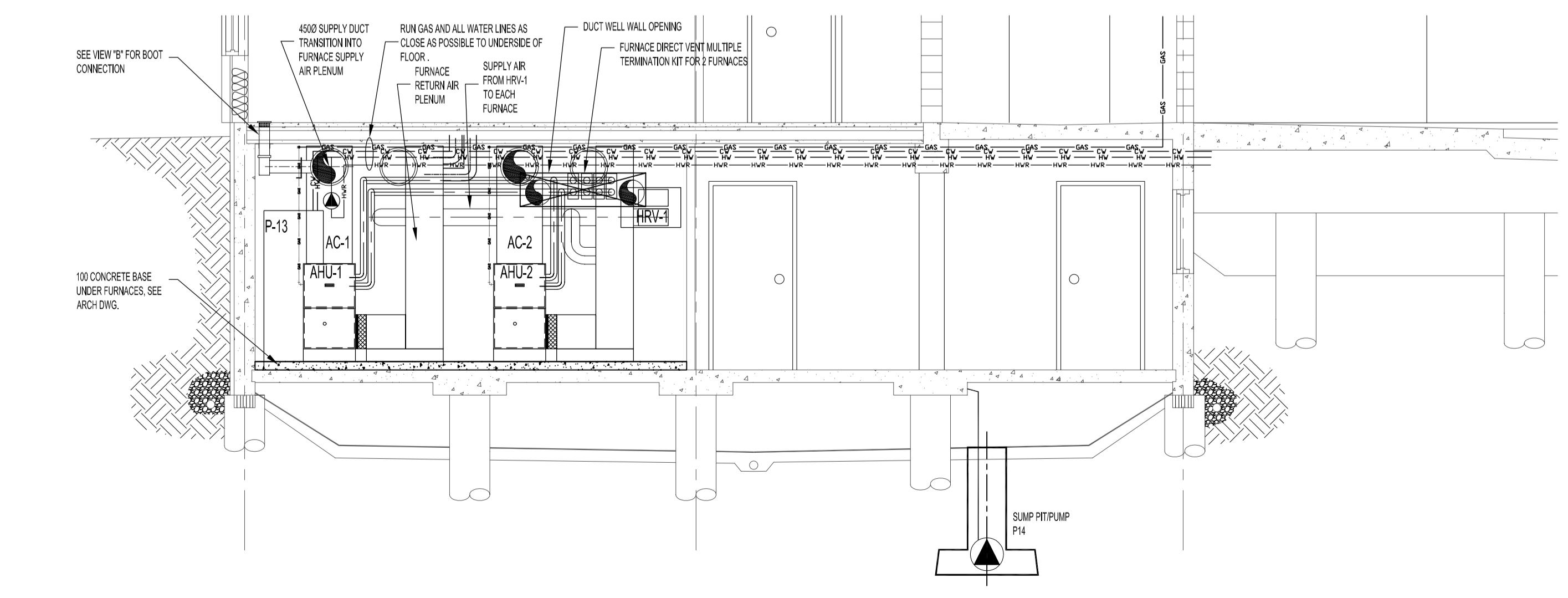
ENLARGED VIEW "A" (TYPICAL)  
SCALE: 1:20



ENLARGED VIEW "B" (TYPICAL)  
SCALE: 1:20

ORIGINAL STAMPED BY: DOUG PALEY, P.ENG  
DATE: 2006.07.14

**BASEMENT FLOOR PLAN - MECHANICAL**  
SCALE: 1:100



**BASEMENT FURNACE ROOM PLAN**  
SCALE: 1:50

1 PARTIAL BUILDING SECTION  
SCALE: 1:50

NO.	REVISION/DESCRIPTION	BY	DATE
SEALS			

DRAWN BY	CHECKED BY	APPROVED
RCPI/DTA	USER APPROVAL	

CITY OF WINNIPEG  
PLANNING, PROPERTY &  
DEVELOPMENT DEPARTMENT  
CIVIC ACCOMMODATIONS DIVISION  
300 - 65 GARRY ST. R3C 4K4

PROJECT  
WEST TRANSCONA  
FIRE PARAMEDIC STATION 21

1446 REGENT AVE. WEST

SHEET TITLE  
**BASEMENT FLOOR PLAN  
MECHANICAL  
SECTION & DETAIL**

METRIC  
WHOLE NUMBERS ARE IN MILLIMETRES,  
DECIMALIZED NUMBERS ARE IN METRES

SCALE	PROJECT NO.	SHEET NO.
AS SHOWN	2004-058-01	M6