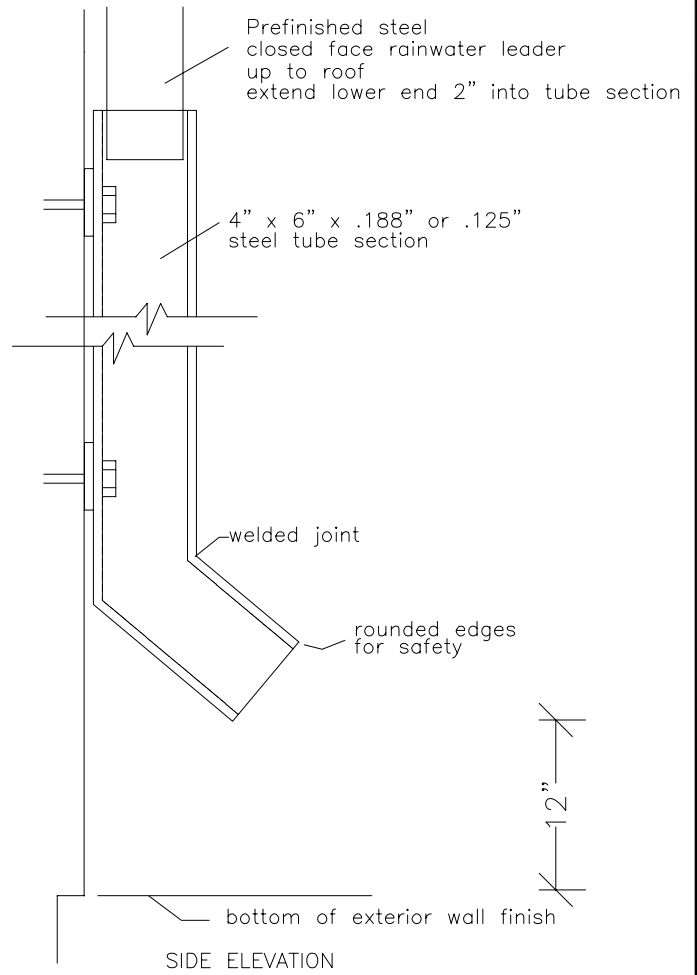
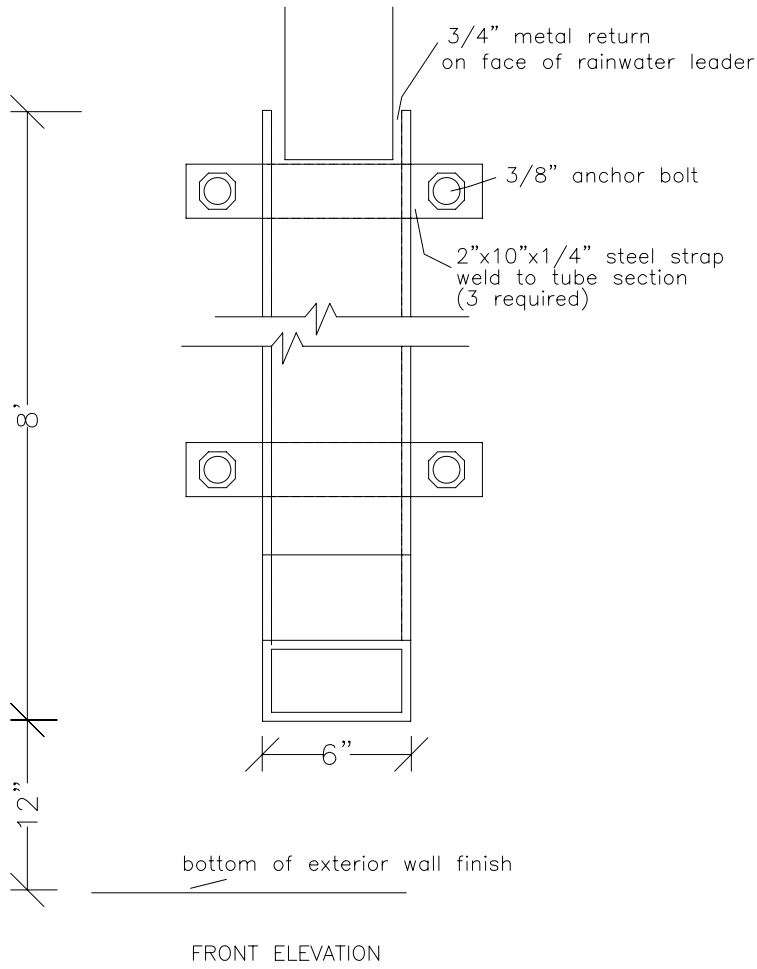


# Structural Down Pipes



**AGASSIZ**  
**CONSULTING**  
**GROUP**

Project: Silver Heights CC

Address: 2080 Ness Avenue

Date: May 31, 2006

File no: 3802-06 | Detail # D2