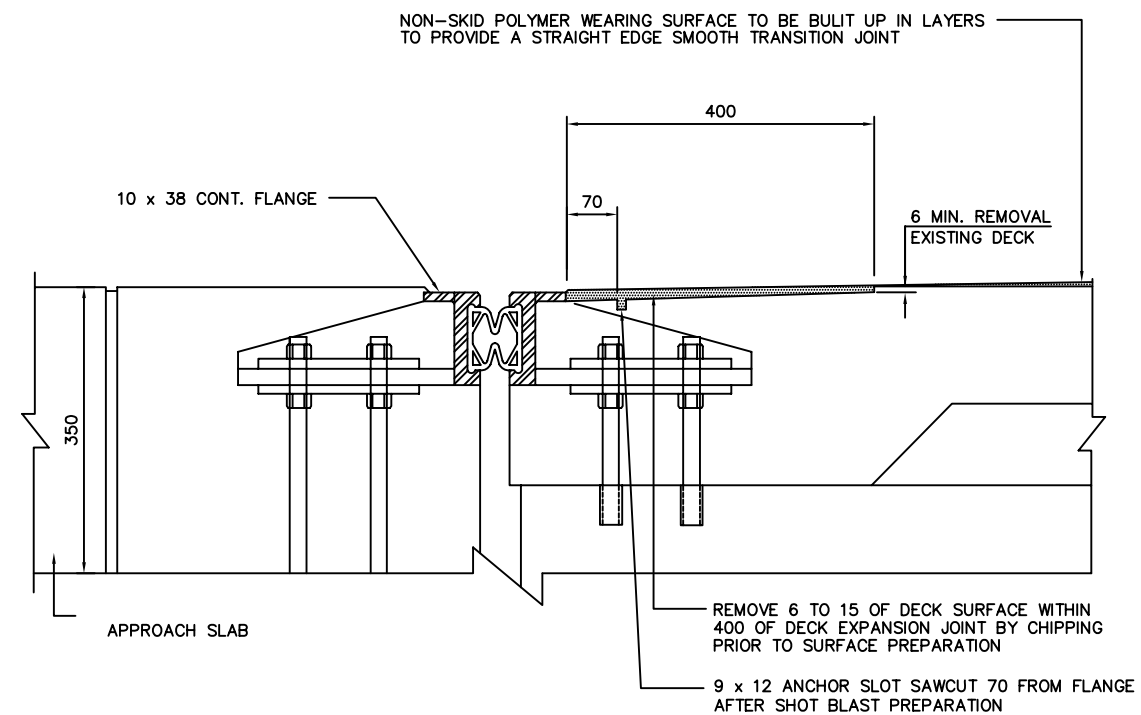


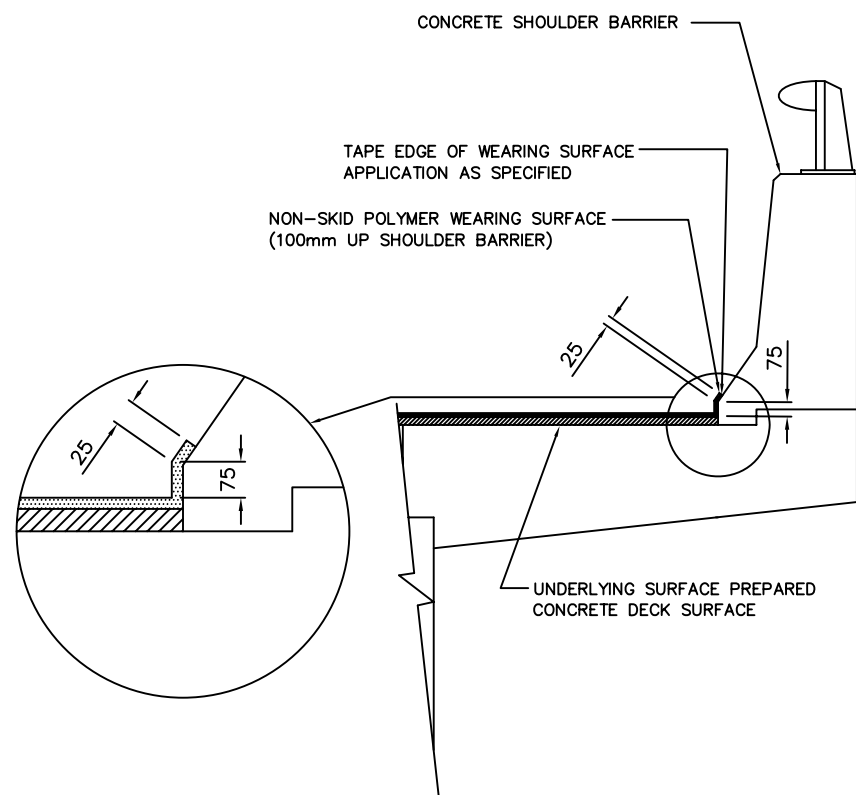
EXPANSION JOINT AT NORTH ABUTMENTS

N.T.S.



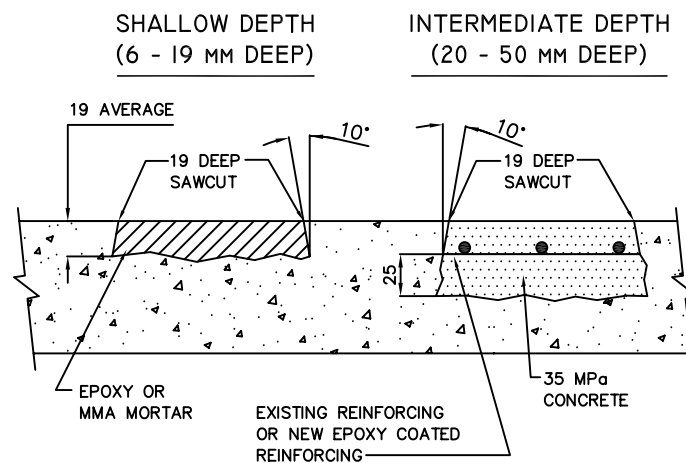
EXPANSION JOINT AT SOUTH ABUTMENTS

N.T.S.



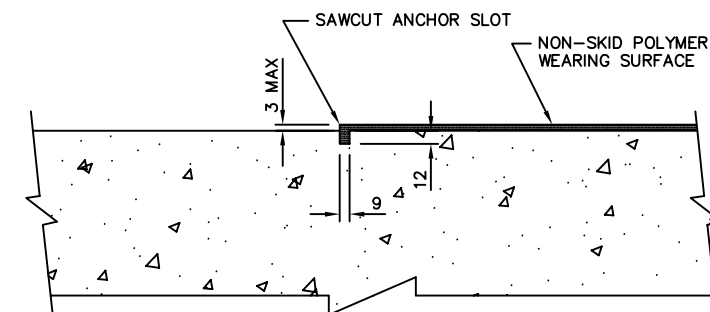
TRAFFIC BARRIER DETAIL (TYPICAL)

N.T.S.



DECK REPAIR DETAILS

N.T.S.



TYPICAL ANCHOR DETAIL

N.T.S.

METRIC
WHOLE NUMBERS INDICATE MILLIMETRES
DECIMALIZED NUMBERS INDICATE METRES

NOTE:	B.M. ELEV.	DESIGNED BY: B.A.N.		<p>CITY OF WINNIPEG PUBLIC WORKS DEPARTMENT ENGINEERING DIVISION</p>	SHEET 2 OF 2
		DRAWN BY: M.R.T.			
		CHECKED BY: B.A.N.			
		APPROVED BY: B.A.N.			
		AUTHORIZED BY:			
		B.A. NEIRINCK BRIDGE PLANNING & OPERATIONS ENGINEER			
	NO. REVISION	DATE	BY	BID OPPORTUNITY NO.: 388-2006	WEARING SURFACE DETAILS
					HORIZONTAL: N.T.S. VERTICAL: N.T.S.
					CITY DRAWING NUMBER: B224-06-02