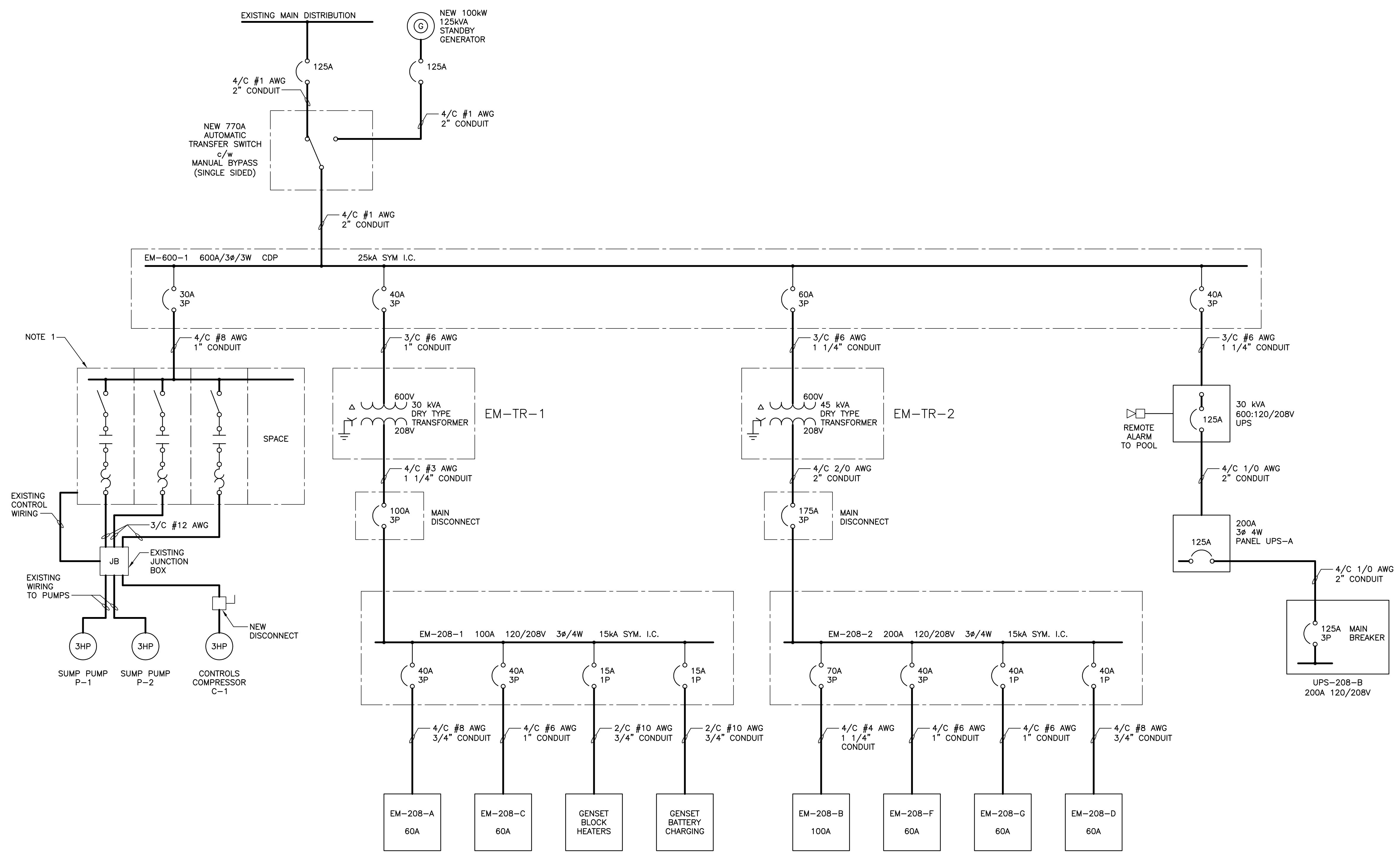


NOTES:
 1. EXISTING STARTERS ARE IN MCC. NEW STARTERS TO BE MOUNTED AT LOCATION SHOWN.



A SINGLE LINE DIAGRAM
 SCALE: N.T.S.

0	30/06/06	ISSUED FOR TENDER	
NO.	D / M / Y	DESCRIPTION	BY
REVISIONS / ISSUE			
A	A. SECTION LETTER OR DETAIL NUMBER		A
B	B. DRAWING WHERE SECTION OR DETAIL IS DRAWN OR DRAWING WHERE SECTION OR DETAIL WAS INDICATED		-
- SECTION OR DETAIL SHOWN ON SAME DRAWING			
KGS GROUP		CONSULTING ENGINEERS & PROJECT MANAGERS WINNIPEG (204) 896-1209 THUNDER BAY (807) 345-2233	
CLIENT:		CITY OF WINNIPEG PUBLIC WORKS DEPARTMENT	
PROJECT: INSTALLATION OF EMERGENCY GENERATOR AT PAN-AM POOL - 25 POSEIDON BAY TENDER No. 404-2006			
DWG. DESCRIPTION: ELECTRICAL SINGLE LINE DIAGRAM			
ENG. STAMP:	DESIGNED: BY: JW	DRAWN: BY: BGO	
	CHECKED:	CHECKED:	
APPROVED:			
SCALE: AS NOTED		DATE: JUN/2006	
KGS DWG. NO. 06-0107-08		E5	
CLIENT DWG. NO.			REV: 0

APEGM
 Certificate of Authorization
 KGS Group
 No. 245 Expiry: April 30, 2007