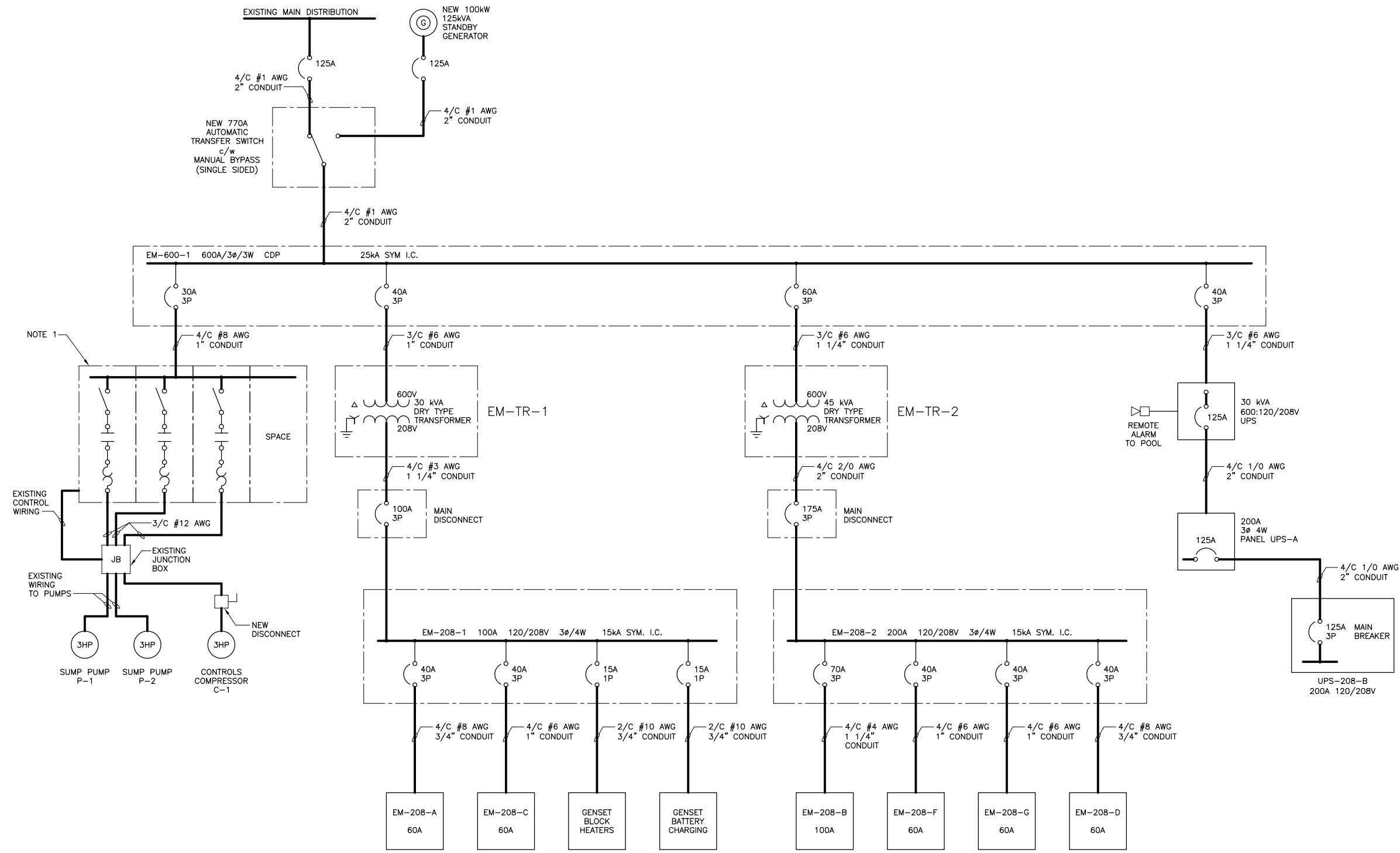


NOTES:

- EXISTING STARTERS ARE IN MCC. NEW STARTERS TO BE MOUNTED AT LOCATION SHOWN.



NOTE 1

A SINGLE LINE DIAGRAM
SCALE: N.T.S.

1	30/06/06	ISSUED FOR TENDER	
NO.	D / M / Y	DESCRIPTION	BY
REVISIONS / ISSUE			
A	A. SECTION LETTER OR DETAIL NUMBER IS DRAWN		A
B	B. DRAWING WHERE SECTION OR DETAIL IS DRAWN OR DRAWING WHERE SECTION OR DETAIL WAS INDICATED		-
- SECTION OR DETAIL SHOWN ON SAME DRAWING			
KGS GROUP		CONSULTING ENGINEERS & PROJECT MANAGERS	
		WINNIPEG (204) 896-1209 THUNDER BAY (807) 345-2233	
CLIENT: CITY OF WINNIPEG PUBLIC WORKS DEPARTMENT			
PROJECT: INSTALLATION OF EMERGENCY GENERATOR AT PAN-AM POOL - 25 POSEIDON BAY TENDER No. 404-2006			
DWG. DESCRIPTION: ELECTRICAL SINGLE LINE DIAGRAM			
ENG. STAMP	DESIGNED: BY: JW	DRAWN: BY: BGO	
	CHECKED:	CHECKED:	
	APPROVED:	SCALE: AS NOTED	DATE: JUN/2006
	KGS DWG. NO. 06-0107-08		E5
CLIENT DWG. NO.			REV: 1

