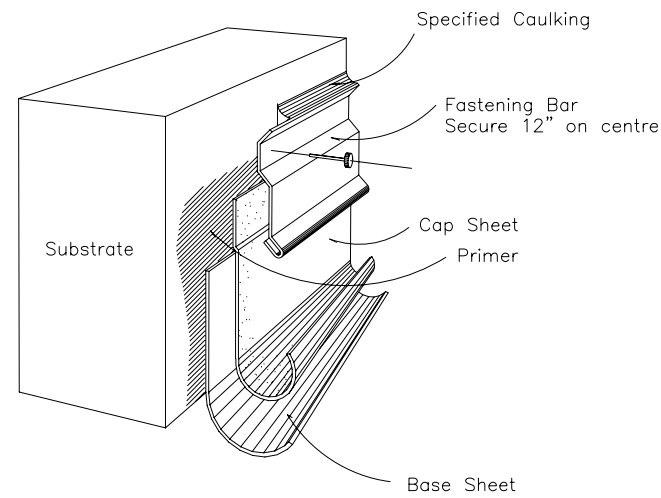
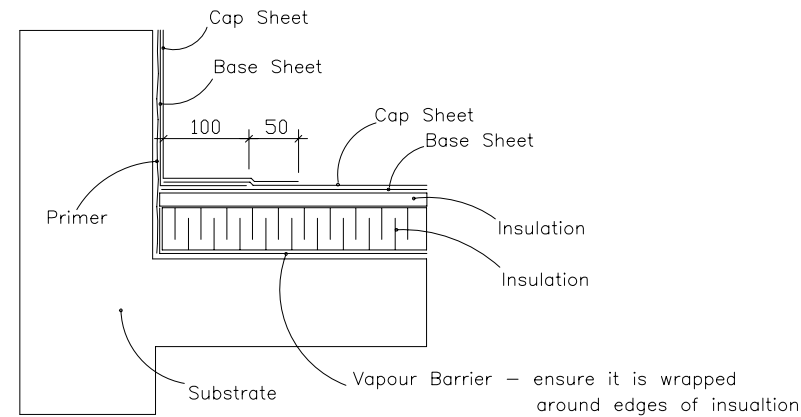


Typical Fastening Bar

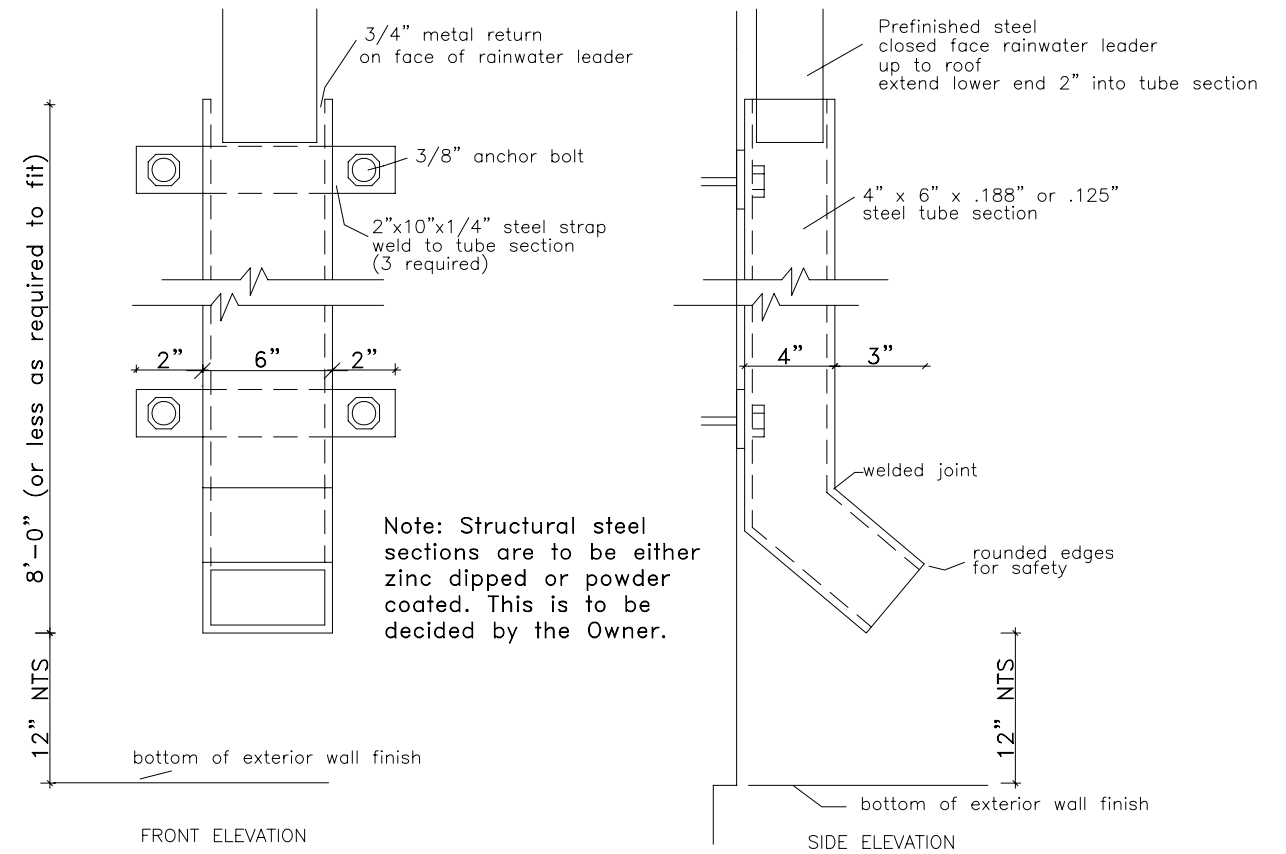


Typical Roof Edge Detail



Note: Modified Bitumen stripping used in conjunction with 4 ply felt membrane is to have base sheet extend 12" onto flat and cap sheet 18" onto flat.

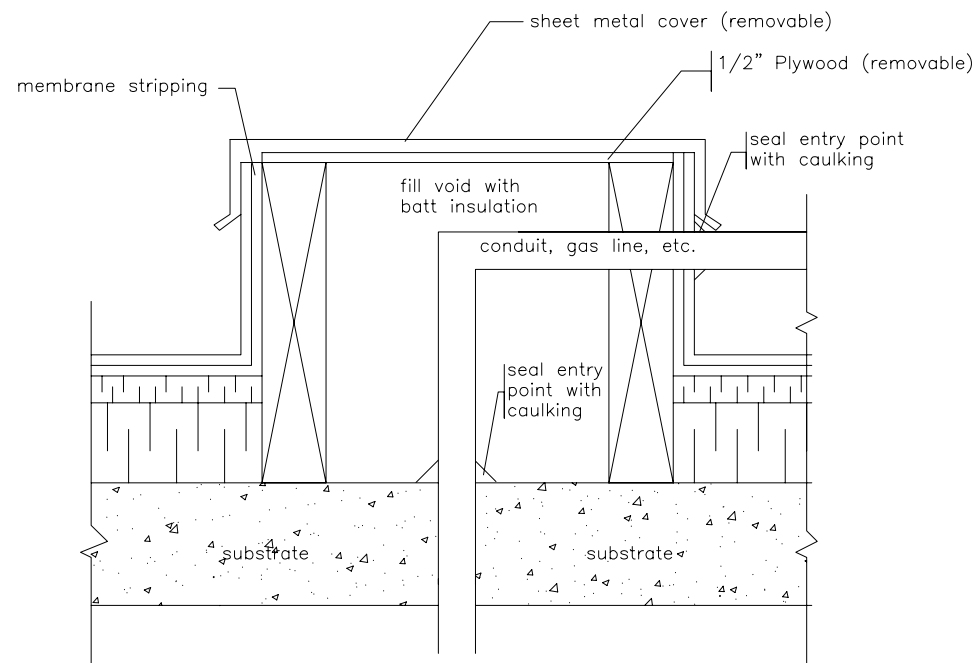
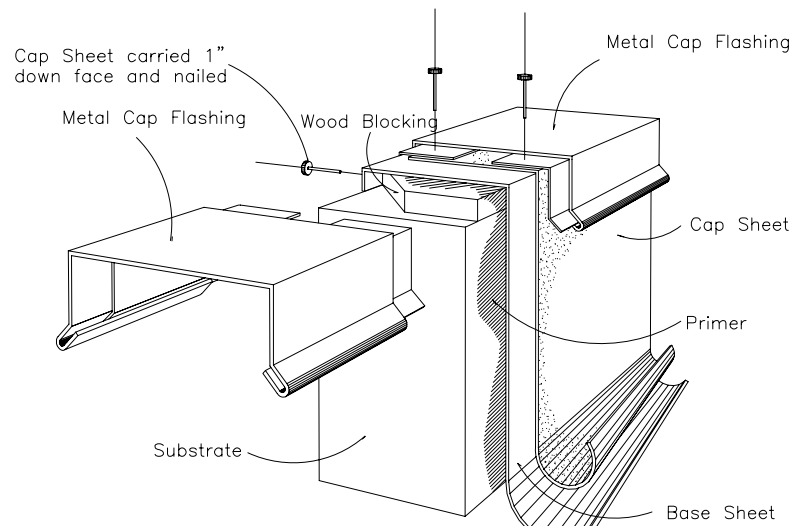
Structural Down Pipes



Note: Structural steel sections are to be either zinc dipped or powder coated. This is to be decided by the Owner.

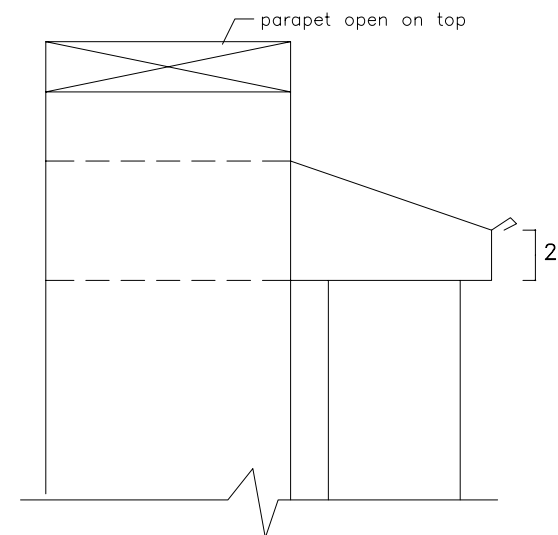
Typical Curb Style Pitch Box

Typical Parapet Cap



Note: vapour barrier is to be carried under curb

Typical Scupper



Notes:
Scupper shall be 4 sided through parapet
Scupper shall be minimum 8" wide x 6" high

Note: Details are to be similar for inverted roof assemblies

AGASSIZ CONSULTING GROUP	
809 Pipeline Road, Winnipeg, Manitoba Phone: 697-8091 Fax: 697-8039	
Project: Southdale Community Center 254 Lakewood Winnipeg, MB	
Date: May 31, 2006	
Drawing No.	D-1
File no: 3580-03	Scale: N.T.S.