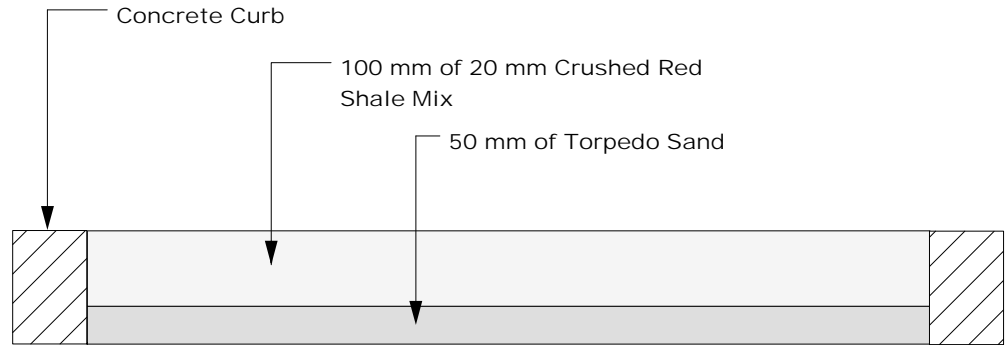
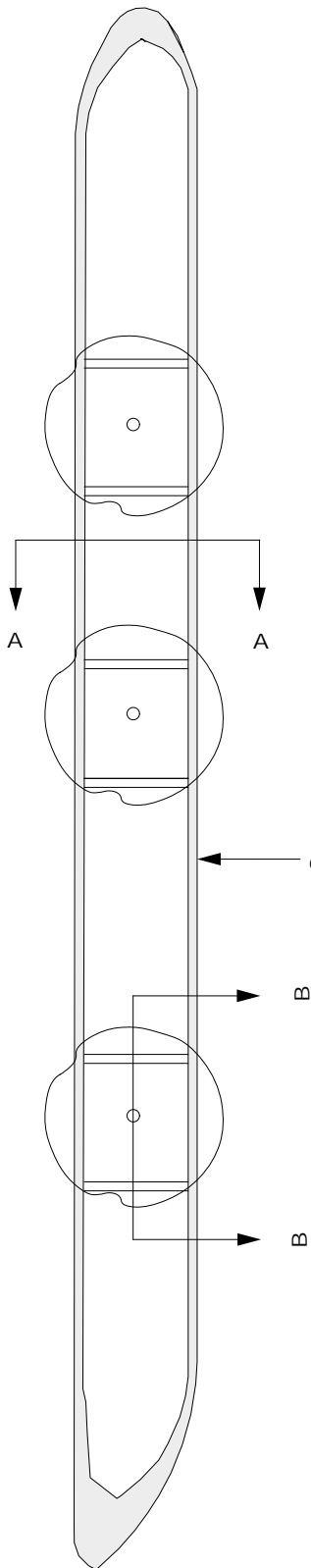




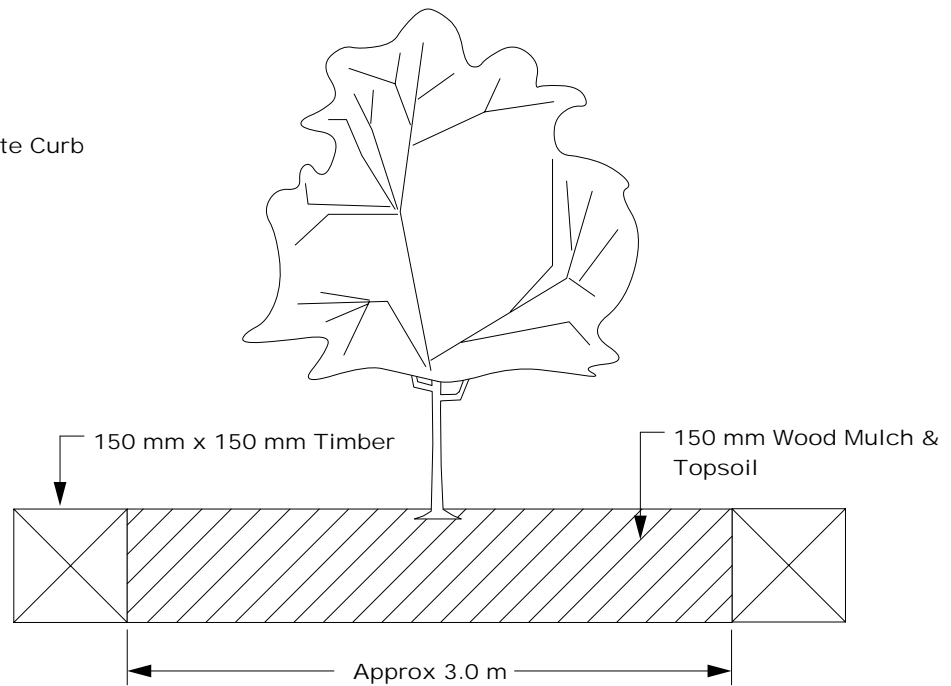
TITLE

Typical Henderson Highway Median

A.1.



Crosssection for Red Shale Area
Section "A" - "A"
(N.T.S.)



Crosssection for Tree Areas
Section "B" - "B"
(N.T.S.)

THE CITY OF WINNIPEG
Planning, Property and Development Department
Planning and Land Use Division
Unit 15 - 10 Fort Street, Winnipeg, MB, R3C 4X5

