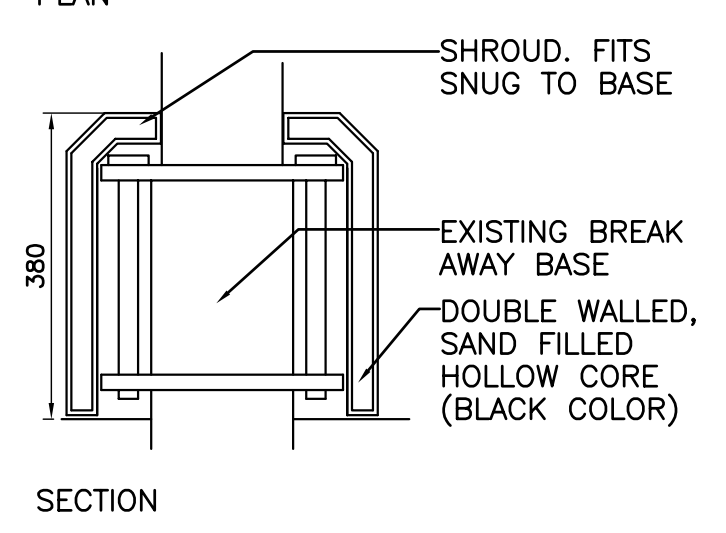
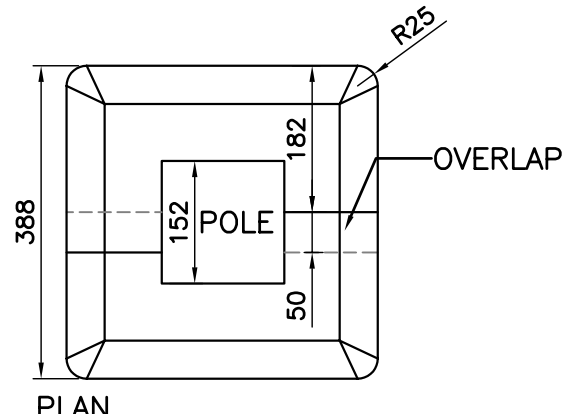
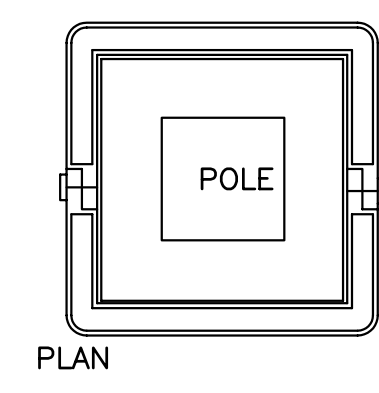
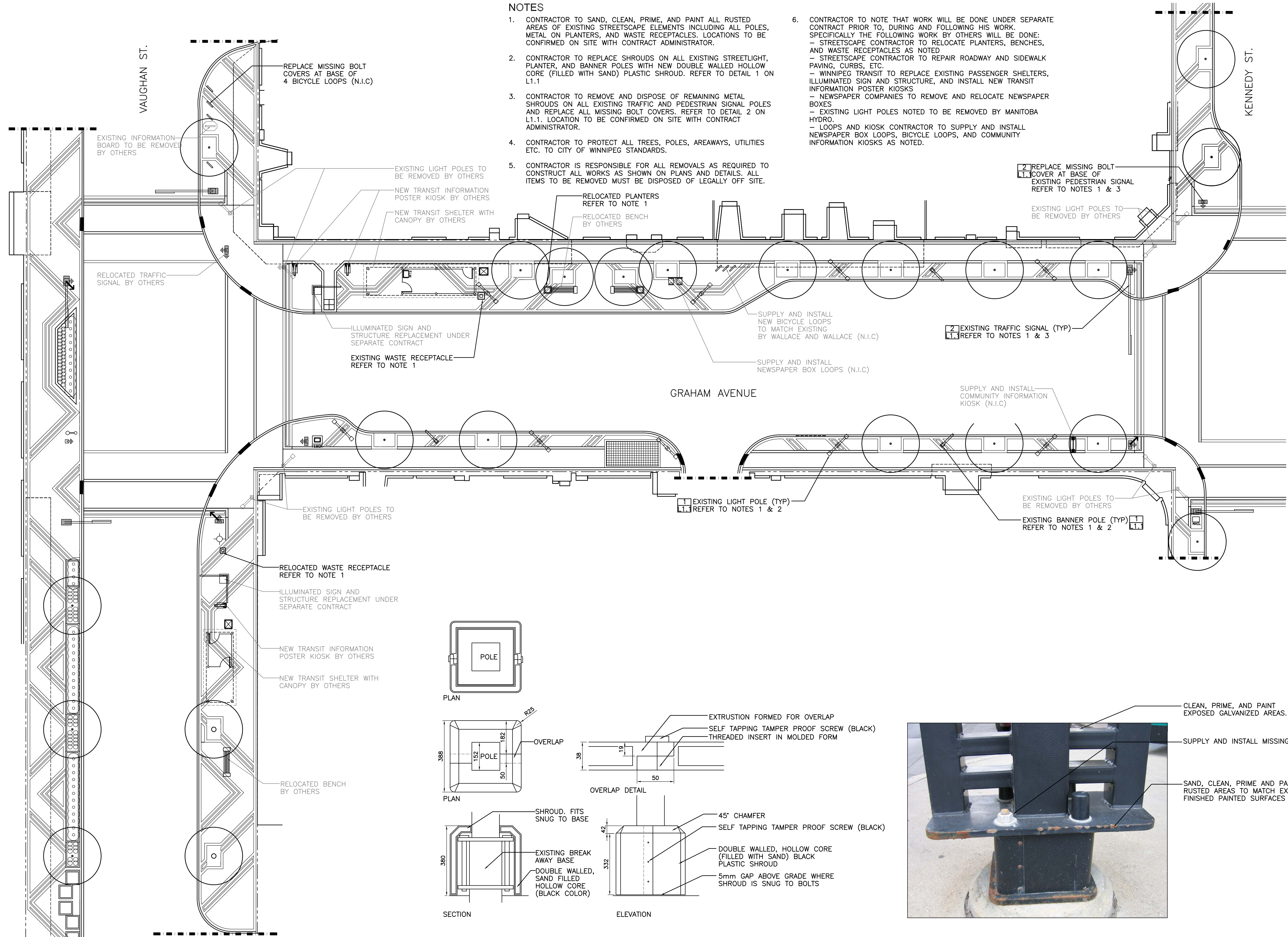


NOTES

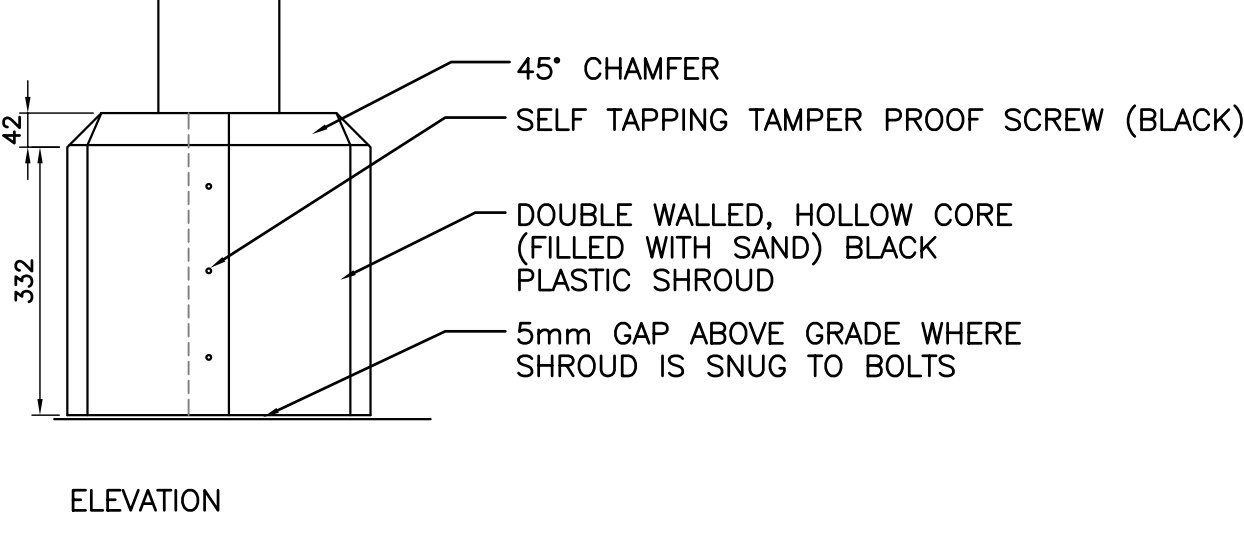
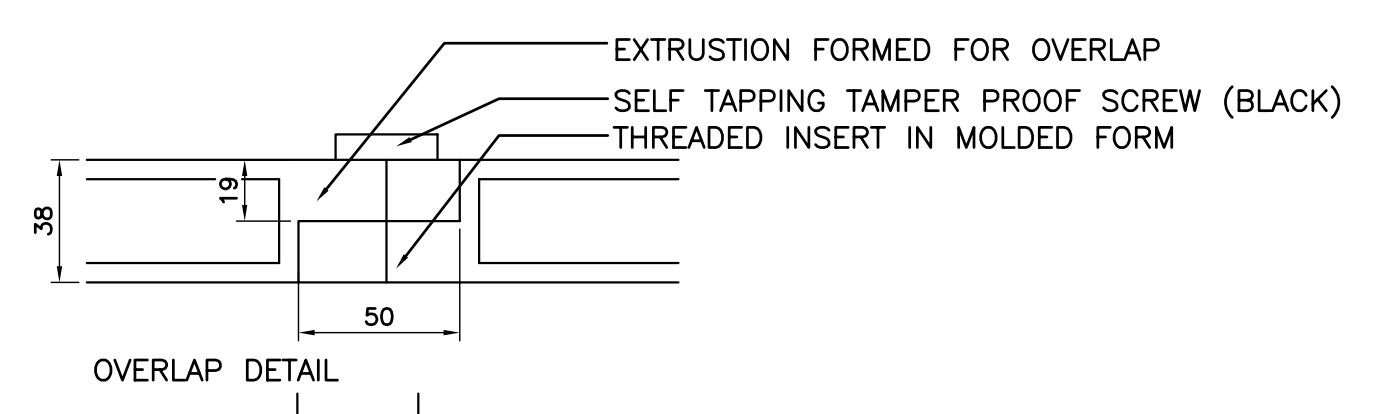
- CONTRACTOR TO SAND, CLEAN, PRIME, AND PAINT ALL RUSTED AREAS OF EXISTING STREETSCAPE ELEMENTS INCLUDING ALL POLES, METAL ON PLANTERS, AND WASTE RECEPTACLES. LOCATIONS TO BE CONFIRMED ON SITE WITH CONTRACT ADMINISTRATOR.
- CONTRACTOR TO REPLACE SHROUDS ON ALL EXISTING STREETLIGHT, PLANTER, AND BANNER POLES WITH NEW DOUBLE WALLED HOLLOW CORE (FILLED WITH SAND) PLASTIC SHROUD. REFER TO DETAIL 1 ON L1.1
- CONTRACTOR TO REMOVE AND DISPOSE OF REMAINING METAL SHROUDS ON ALL EXISTING TRAFFIC AND PEDESTRIAN SIGNAL POLES AND REPLACE ALL MISSING BOLT COVERS. REFER TO DETAIL 2 ON L1.1. LOCATION TO BE CONFIRMED ON SITE WITH CONTRACT ADMINISTRATOR.
- CONTRACTOR TO PROTECT ALL TREES, POLES, AREAWAYS, UTILITIES ETC. TO CITY OF WINNIPEG STANDARDS.
- CONTRACTOR IS RESPONSIBLE FOR ALL REMOVALS AS REQUIRED TO CONSTRUCT ALL WORKS AS SHOWN ON PLANS AND DETAILS. ALL ITEMS TO BE REMOVED MUST BE DISPOSED OF LEGALLY OFF SITE.
- CONTRACTOR TO NOTE THAT WORK WILL BE DONE UNDER SEPARATE CONTRACT PRIOR TO, DURING AND FOLLOWING HIS WORK. SPECIFICALLY THE FOLLOWING WORK BY OTHERS WILL BE DONE:
 - STREETSCAPE CONTRACTOR TO RELOCATE PLANTERS, BENCHES, AND WASTE RECEPTACLES AS NOTED
 - STREETSCAPE CONTRACTOR TO REPAIR ROADWAY AND SIDEWALK PAVING, CURBS, ETC.
 - WINNIPEG TRANSIT TO REPLACE EXISTING PASSENGER SHELTERS, ILLUMINATED SIGN AND STRUCTURE, AND INSTALL NEW TRANSIT INFORMATION POSTER KIOSKS
 - NEWSPAPER COMPANIES TO REMOVE AND RELOCATE NEWSPAPER BOXES
 - EXISTING LIGHT POLES NOTED TO BE REMOVED BY MANITOBA HYDRO
 - LOOPS AND KIOSK CONTRACTOR TO SUPPLY AND INSTALL NEWSPAPER BOX LOOPS, BICYCLE LOOPS, AND COMMUNITY INFORMATION KIOSKS AS NOTED.

LEGEND

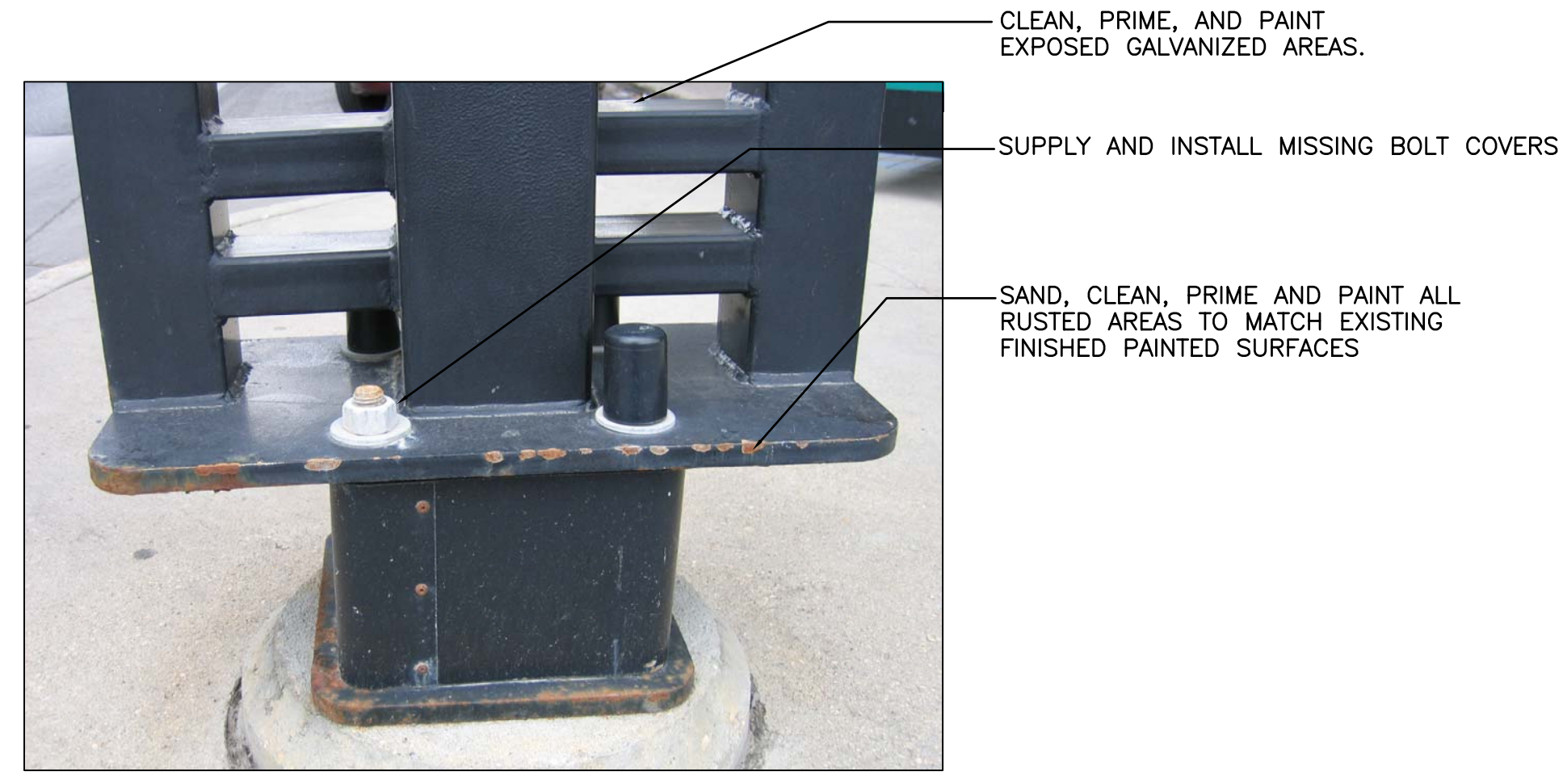
- LIMIT OF METAL WORKS
- PROPERTY LINE
- EXISTING CURB
- PARARAMP IN GRANITE CURB
- EXISTING AWNING
- EXISTING SINGLE POLE LIGHT STANDARD
- EXISTING FEATURE LIGHT STANDARD
- ILLUMINATED TRANSIT SIGN
- EXISTING BANNER POLE
- EXISTING WPG. HYDRO ORNAMENTAL LIGHT
- EXISTING DAVIT ARM TRAFFIC SIGNAL
- EXISTING PEDESTRIAN SIGNAL POLE
- EXISTING OVERHEAD SIGNAGE POLE
- EXISTING BUS STOP MARKER
- EXISTING HYDRANT
- 1270mm PLANTER
- 635mm PLANTER
- BENCH
- MTS PHONE BOOTH
- GARBAGE CONTAINER
- EXISTING RECYCLING RECEPTACLE
- EXISTING POLE MOUNT TRAFFIC SIGNAL
- BIKE LOOP
- EXISTING TREE
- TRANSIT INFORMATION POSTER KIOSK
- COMMUNITY INFORMATION KIOSK
- TRAFFIC SIGNAGE POLE
- NEWSPAPER BOX LOOP WITH NEWSPAPER BOXES
- DETAIL KEY**
- DETAIL NUMBER SHEET NUMBER



1 SHROUD DETAIL
L1.1 N.T.S.



2 TRAFFIC SIGNAL POLE BASE
L1.1 N.T.S.



No.	Revisions	Date	By
06-07-06	1:150		
SR	PR		SR

McGOWAN·RUSSELL
Client

WINNIPEG TRANSIT
Project Title
**GRAHAM AVENUE
POLE AND STREET
FURNITURE REPAIR**

Sheet Title
**LAYOUT PLAN
1 OF 9**
Project No. 06-017 Drawing No. L1.1